

Catalog Number
Notes
Type

FEATURES & SPECIFICATIONS

CONSTRUCTION

18-gauge steel housing finished in instrument tan color.

Hinged faceplate for easy maintenance.

Metal lamp heads with two 12-watt tungsten halogen, glass sealed-beam PAR36 lamps.

ELECTRICAL

Dual-voltage input capability (120 or 277 volts)

Current-limiting charger maximizes battery life and minimizes energy consumption. Provides low operating costs.

Yellow AC "on" light.

Battery: Maintenance-free lead-calcium battery provides 24 watts (ELT24C) or 36 watts (ELT36C) rated capacity for two hours.

24-hour battery recharge after 90-minute discharge.

Test switch and dual function ready/charge light (green) permit check of system operation.

Low-voltage disconnect prevents excessively deep discharge that can permanently damage the battery.

Slip-on battery terminals.

LISTINGS

UL listed. Meets UL 924, NFPA 101-1988 (current Life Safety Code), NEC and OSHA illumination standards. ELT24C and ELT36C are approved for use in the city of Chicago (9717-E).

WARRANTY — 3-year limited warranty. Complete warranty terms located at:

www.acuitybrands.com/support/warranty/terms-and-conditions

Note: Actual performance may differ as a result of end-user environment and application.

Specifications subject to change without notice.

TITAN®

Industrial Steel Emergency Lighting

ELT24C/ELT36C

Lead-Calcium Battery



ORDERING INFORMATION Lead times will vary depending on options selected. Consult with your sales representative.

Example: ELT24C LD

Series	Options
ELT24C	AM Ammeter
ELT36C	VM Voltmeter
	RO Less lamp heads
	H 8W halogen lamps
	LD Load disconnect switch

Accessories	
Order as separate catalog number.	
ELA WG2	Wire guard ¹
ELA MST5	Mounting shelf ²

NOTES:

- 1 See spec sheet [ELA-WG](#).
- 2 See spec sheet [ELA-RTL-P-MS](#).

ELT24C/ELT36C Industrial Steel Emergency Lighting

SPECIFICATIONS

ELECTRICAL Primary Circuit								
Type	AC Input			Output Volts	Watts Output ¹			
	Volts	Amps	Watts		1-1/2 hrs.	2 hrs.	3 hrs.	4 hrs.
ELT24C	120	.167	20	6	24	24	16	12
	277	.072	20					
ELT36C	120	.167	20	6	36	36	24	18
	277	.072	20					

BATTERY Sealed Lead-Calcium				
Voltage	Shelf life ²	Typical life ²	Maintenance ³	Temperature range ⁴
6	12 mos.	5-8 yrs.	none	60°-90°F

NOTES

- Watts to 87.5% of nominal voltage.
- At 77°F (25°C).
- All life safety equipment, including emergency lighting for path of egress must be maintained, serviced, and tested in accordance with all National Fire Protection Association (NFPA) and local codes. Failure to perform the required maintenance, service, or testing could jeopardize the safety of occupants and will void all warranties.
- Optimum ambient temperature range where unit will provide rated capacity for 90 minutes. Higher and lower temperatures affect life and capacity.

MOUNTING

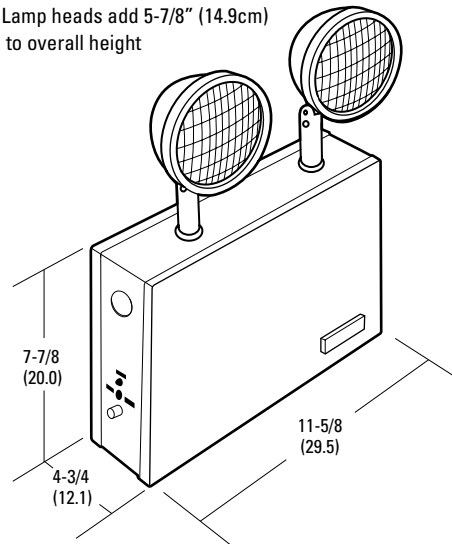
All dimensions are inches (centimeters).

Shipping weight:

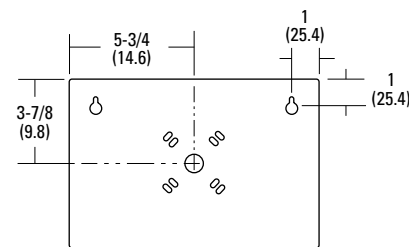
ELT24C - 12.5 lbs. (5.7 kgs.)

ELT36C - 17.0 lbs. (7.7 kgs.)

Lamp heads add 5-7/8" (14.9cm) to overall height

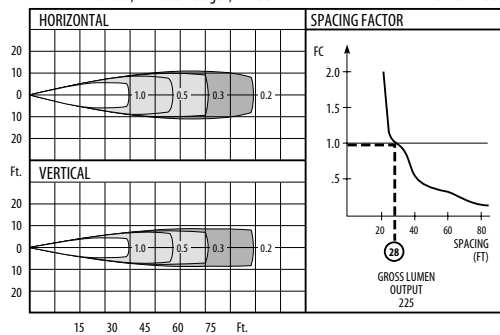


Housing Back



LAMP SPECIFICATIONS

H1206
6 Volts, 12 Watts Halogen, PAR 36
30°Hx20°V
Narrow Flood



REPLACEMENT LAMP #H7553

Spacing Factor: Indicates the proper spacing between lamps to the chosen illuminance level (fc) ± 20%.
Footcandle Curves: Show distances in feet and isocurves in footcandles.