



ASSEMBLY INSTRUCTION

H O O K E R
— F U R N I T U R E —




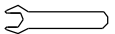
Item: 5447-10458 Writing Desk

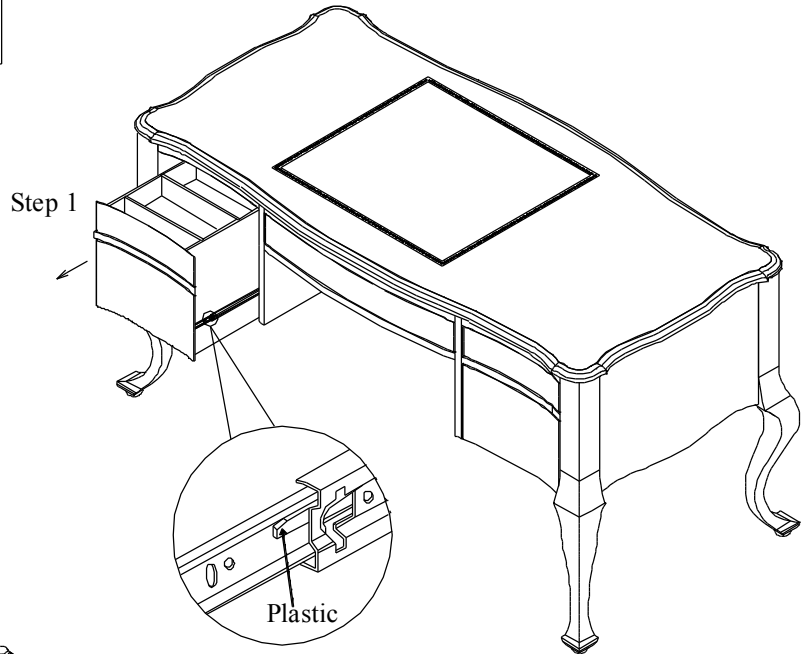
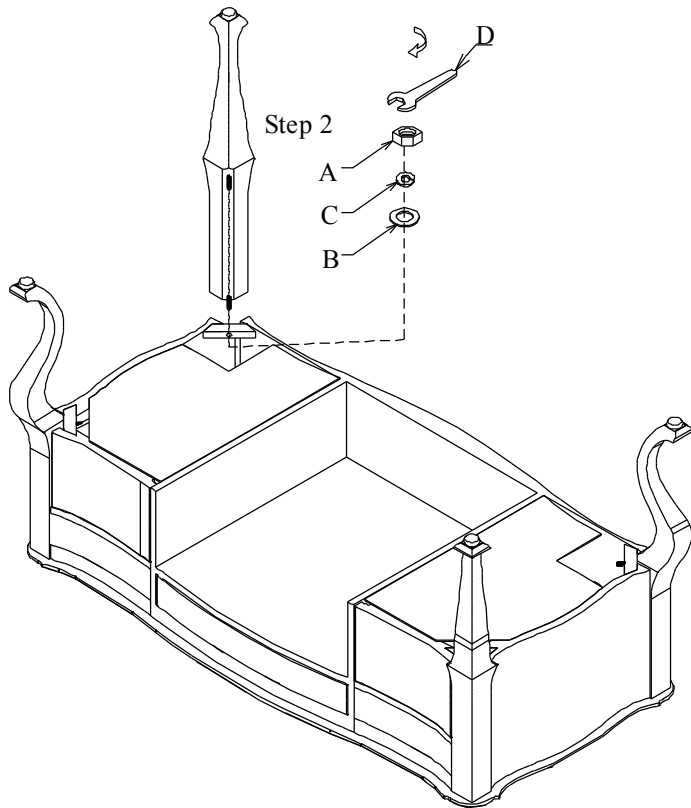
5447-10458A-Toffee Writing Desk

Thank you for purchasing this quality product. Be sure to unpack carefully looking for small parts which may have come loose during shipment.

Read all instruction and study the drawing carefully before starting the assembly process:

HARDWARE PACK

| NO | DRAWING | DESCRIPTION | SIZE | Q'TY |
|----|---|-------------|---------------------------------|------|
| A |  | NUT | $\Phi 5/16" \times 12$ | 8pcs |
| B |  | FLAT WASHER | $\Phi 5/16" \times 19 \times 2$ | 8pcs |
| C |  | LOCK WASHER | $\Phi 5/16" \times 12 \times 3$ | 8pcs |
| D |  | WRENCH | 12mm | 1pc |



Press the left side plastic up,
and press the right side plastic down,
then pull out the drawer.

