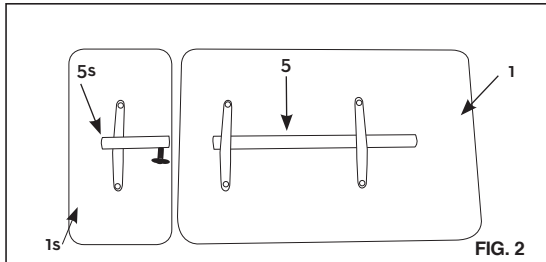


Drive Medical

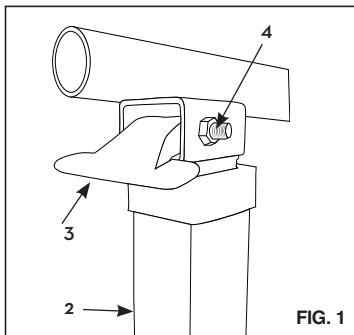
TILT TOP TABLE - 13068BV

Assembly Instructions

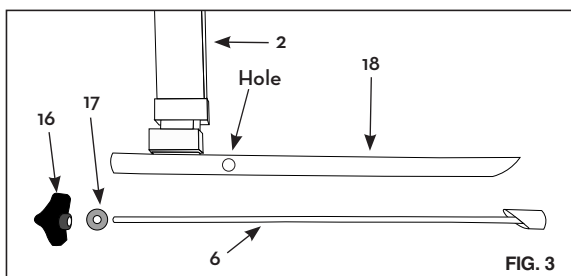
1. Remove contents from packaging and lay top boards (1 & 1S) upside down on flat surface with Mounting Tubes (5 & 5S) facing upward. See Fig. 2.



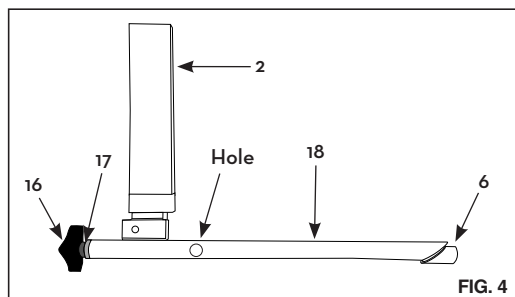
2. Take the Column Assembly (2) and place Trip Lever (3) on top of Trip Rod and secure with Bolt and Nut (4) See Fig. 1.



3. Remove Triangle Knob (16) and Spacer (17) and remove Inner tube (6) from Outer tube (18). See Fig. 3.

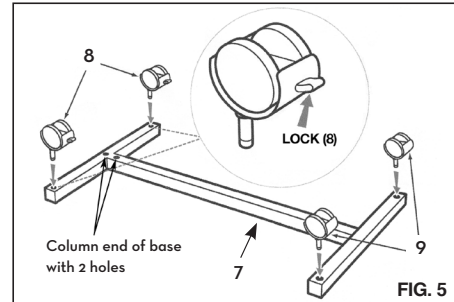


4. Insert outer tube(18) on column assembly through mounting tube (5s) on short top (1s). Then insert outer tube through mounting tube (5) on large top (1). Then insert inner tube (6) through Mounting tube (5). Tighten thumb screw (19) into hole on Outer tube(18).

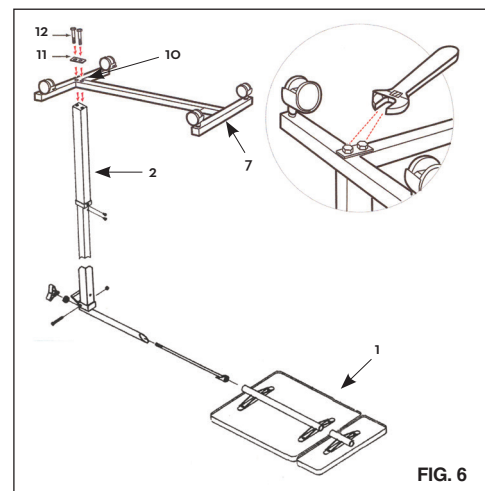


5. Replace Triangle Knob (16) and Spacer (17) and secure by tightening the knob.

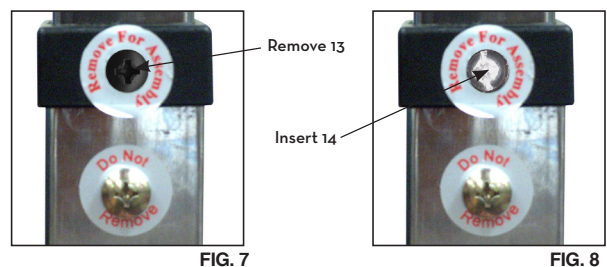
6. Install two Casters With Lock (8) into Base (7) which connects to Column Assembly (2). Install two Non-Locking Casters (9) into base opposite Column Assembly (2). See Fig. 5.



7. Install two Bolt Sleeves (10) into upside down Base (7) and then position two Bolts (12) through Bolt Plate (11) and into Bolt Sleeves (10). Position Base (7) over Column Assembly (2) and thread bolts into bottom of Column Assembly (2) and tighten using 16mm wrench. See Fig. 6.



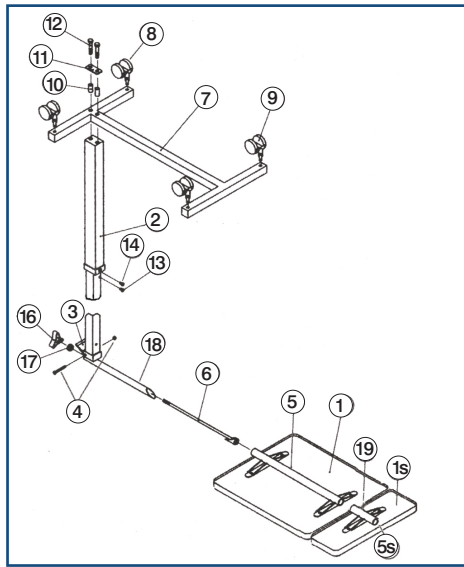
8. Turn the table upright and stand on casters.
9. **CAUTION:** This step must be completed last to prevent damage to the spring loaded mechanism. Remove the Black Screw (13) in the Column Assembly (2) collar labeled "Remove for Assembly" and replace it with the Chrome Screw (14) contained in hardware package. Do not remove Chrome Screw labeled "Do Not Remove". See Fig. 7 and Fig. 8.



WARNING

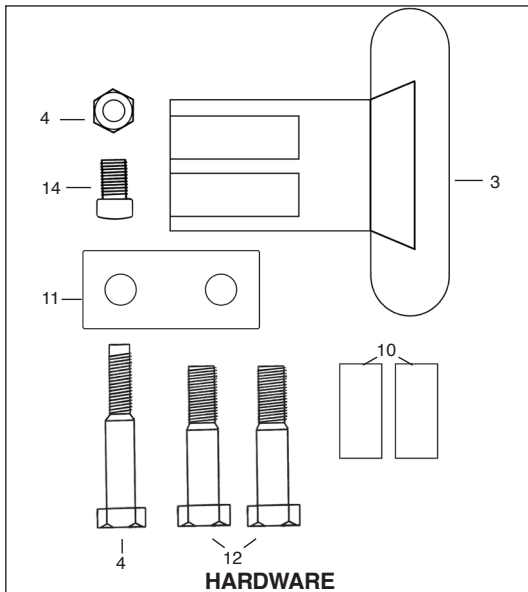
FOR SAFETY - DO NOT REMOVE BLACK SCREW (13) ON COLUMN ASSEMBLY (2) UNTIL THE TABLE IS FULLY ASSEMBLED AND STANDING IN UPRIGHT POSITION. AFTER REMOVING BLACK SCREW, REPLACE WITH CHROME SCREW (14) INCLUDED IN HARDWARE PACKAGE.

THE BOTTOM CHROME SCREW WITH THE "DO NOT REMOVE" LABEL SHOULD NEVER BE REMOVED AS IT WILL DAMAGE THE UNIT AND VOID YOUR WARRANTY.



Parts List

- | | |
|---|--|
| 1. Table Top | 10. Bolt Sleeves (2 each) |
| 1s. Short Table Top | 11. Bolt Plate |
| 2. Column Assembly | 12. $\frac{3}{8}$ - 15 x 2" Bolts (2 each) |
| 3. Trip Lever | 13. Black Screw |
| 4. $\frac{1}{4}$ - 20 x 2 $\frac{1}{8}$ " Bolt & Nut (1 each) | 14. Chrome Screw (to replace #13 black screw) |
| 5. Mounting Tube Large Top | 15. Trip Rod $\frac{1}{4}$ " x 20 $\frac{1}{2}$ " (inside Column Assembly) |
| 5s. Mounting Tube Small Top (Top to Column Assembly) | 16. Triangle Knob |
| 6. Inner Tube | 17. Spacer |
| 7. Base | 18. Outer Tube |
| 8. Casters with Lock (2 ea) | 19. Thumb Screw |
| 9. Casters without Lock (2 ea) | |



Operating Instructions

- To raise top to desired height, apply light pressure upward at any point under table.
- To lower, squeeze trip lever (3) up towards top and push down at column to desired height. Do not put pressure on tabletop end that is opposite the column. Column assembly will lock upon release of trip lever.
- To tilt, turn Triangle Knob (16) counter-clockwise to loosen. Set to desired angle and then turn knob (16) clockwise to tighten. **Short table (1s) top does not tilt.**

Assembly Precautions

This Overbed Table utilizes a high-tension spring loaded mechanism to raise the table, **DO NOT** remove #13 Black Screw and replace with #14 Chrome Screw until table is fully assembled.

DO NOT over tighten bolts, screws or use power tools when assembling this product.

Important Warnings

Please follow all instructions and warnings to avoid hazardous situations that can result in property damage and/or patient/resident/staff/caregiver injury and/or death.

Inspect the product for damage and loose hardware before each use. **DO NOT** use the product if it appears to be damaged or unstable and **DO NOT** modify the product in any way.

Intended Use

This product is designed for use as a movable patient/resident table top surface for reading, eating, or keeping small personal items such as glasses, telephone, or books within easy reach.

This product is designed for indoor use **ONLY** within close proximity of skilled caregivers. It is not designed to hold electrical items (such as televisions, computer monitors, coffee pots, etc.) and should not be used near open flames and excessive heat.

Maximum weight limitation for this product is 50 lbs (22 kg.); weight should be evenly distributed over the table top surface while at the lowest usable height to help maintain a stable condition.

DO NOT overload the product as that could result in breakage, as well as damage to property and/or serious injury.

Use **ONLY** as directed for its intended use. This product should **NOT** be used: as a sleep surface; as a walker or mobility aid to assist a person in walking, sitting down or standing up; to prevent or brace a person's fall; or to help transport persons or items.

Lifetime Limited Warranty

Your Drive branded product is warranted to be free of defects in materials and workmanship for the lifetime of the product for the original consumer purchaser.

This device was built to exacting standards and carefully inspected prior to shipment. This Lifetime Limited Warranty is an expression of our confidence in the materials and workmanship of our products and our assurance to the consumer of years of dependable service.

This warranty does not cover device failure due to owner misuse or negligence, or normal wear and tear. The warranty does not extend to non-durable components, such as rubber accessories, casters, and grips, which are subject to normal wear and need periodic replacement.

If you have a question about your Drive device or this warranty, please contact an authorized Drive dealer.



© 2014 Medical Depot, Inc. All rights reserved.
Drive is a trademark of Medical Depot, Inc.
Port Washington N.Y. 11050 USA Made in China