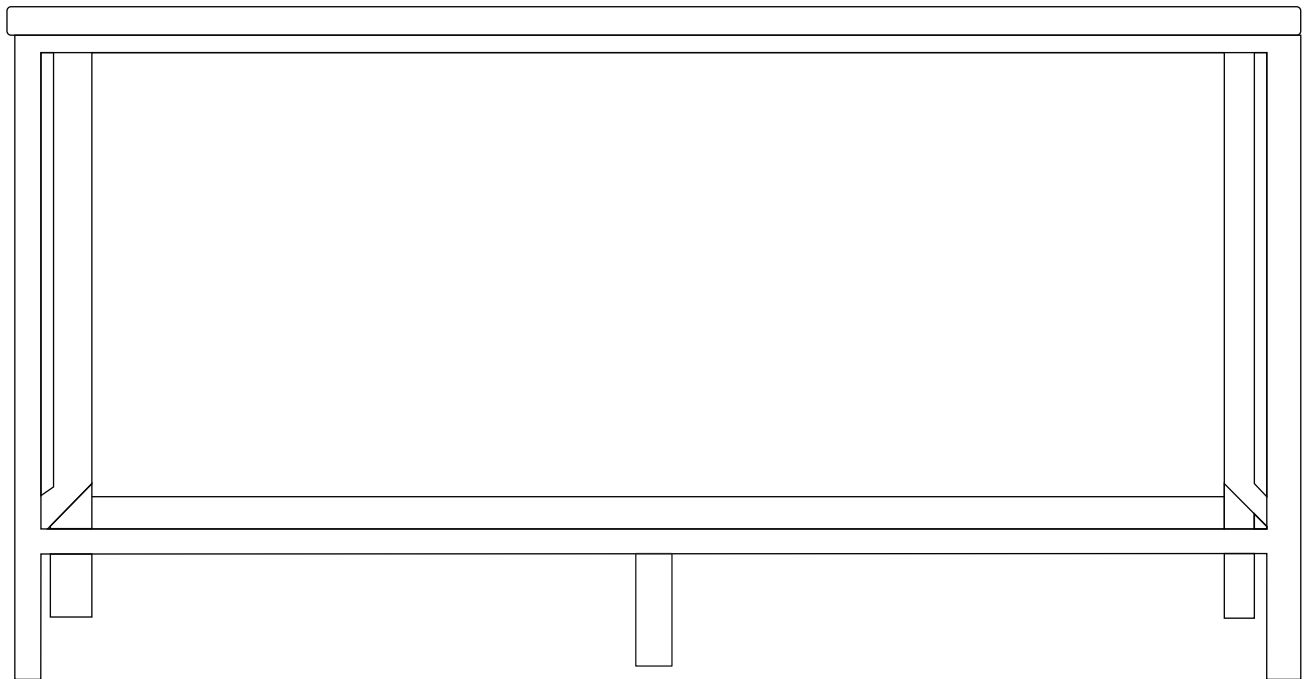


Freestanding Vanity INSTALLATION INSTRUCTIONS

Swiss Madison®
well made forever



@SwissMadison
#WellMadeForever





PRIOR TO INSTALLATION:

- Inspect product to ensure no damages have occurred while in shipping.
- Observe all plumbing and building codes in accordance with your state and local requirements.
- Floor must be level prior to installation of vanity.
- All dimensions are nominal! Be sure to measure your vanity prior to installation.
- The step-by-step guidelines in the installation instructions are a general reference. Should there be any discrepancies, Swiss Madison cannot be held liable. It is recommended to install all Swiss Madison products by hiring a licensed professional.
- Read installation and maintenance instructions thoroughly before installing. Be sure to use proper tools and always wear proper personal safety accessories for your protection.

If you have any questions or concerns please contact us:

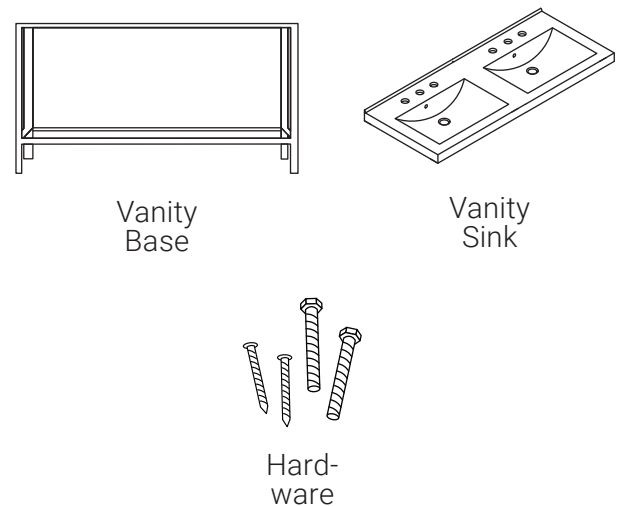
1-434-623-4766

info@swissmadison.com

SUGGESTED TOOLS & MATERIALS:

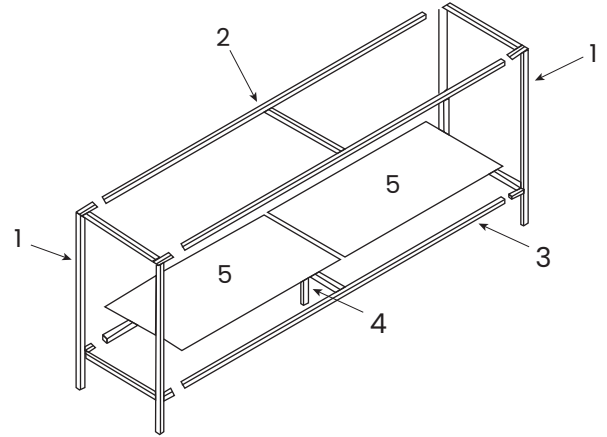
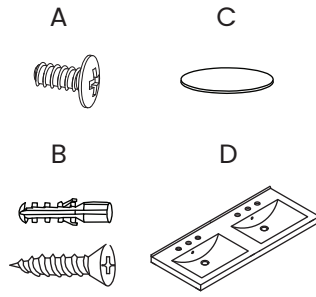


INCLUDED PARTS:



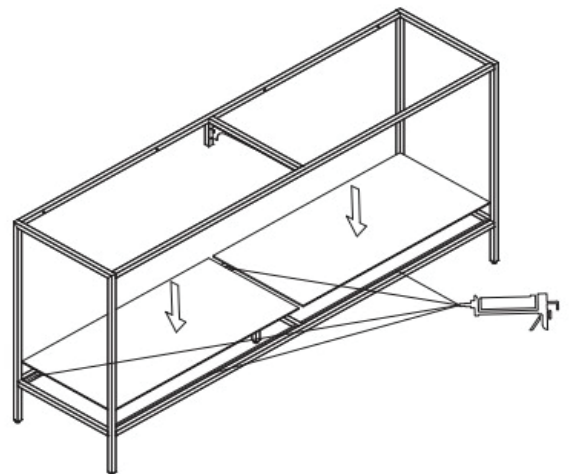
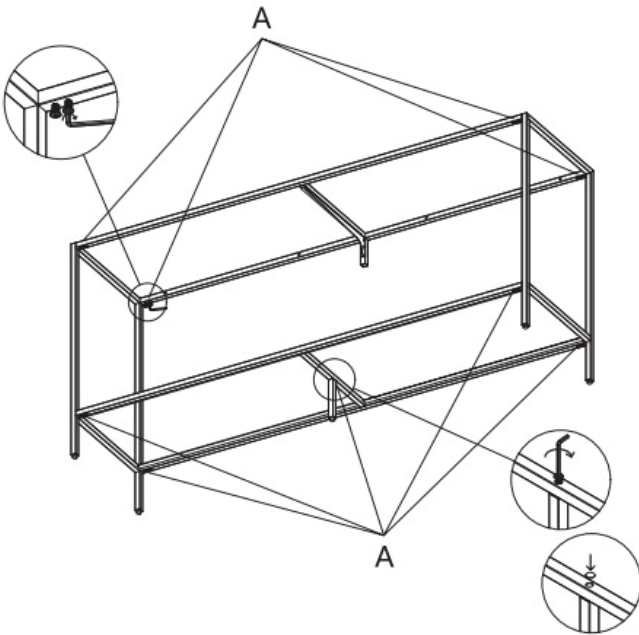
Parts for Reference:

- 1. Side frame (2)
- 2. Sink frame
- 3. Base frame
- 4. Base support leg
- 5. Glass shelf (2)
- A. Bolts (17)
- B. Mounting screws & anchors (6)
- C. Bolt cover for support leg
- D. Double basin



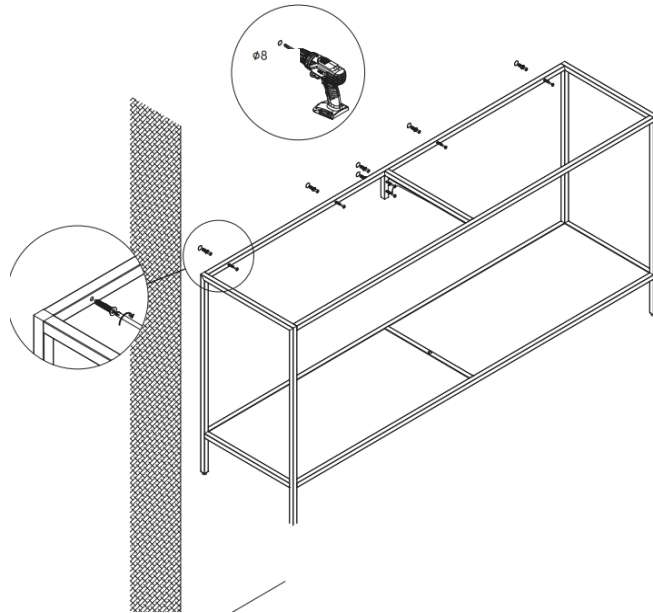
1. Assemble Frame

- Attach base frame (3) and sink frame (2) to the side panel frames (1) using the provided bolts (A) as shown below.
- Attach the base support leg (4) using the provided bolts (A) and bolt cover (C).
- After the frame and support leg are fully assembled you may insert the glass shelves (5) onto the base frame (2) as shown below.



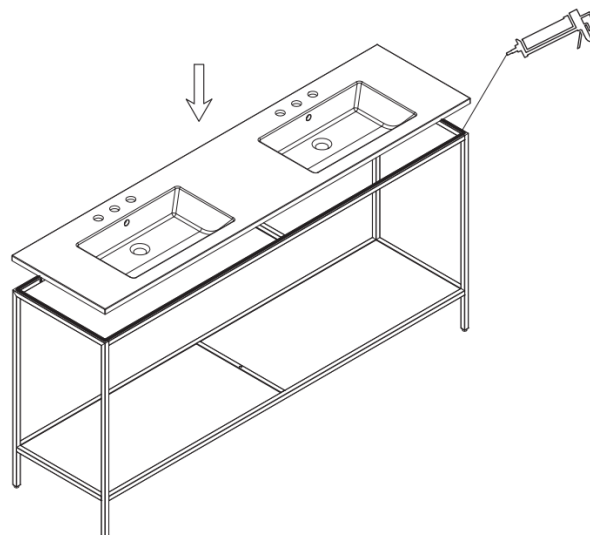
2. Secure Vanity to Wall

- Align your vanity to the desired location and mark the location at each of the mounting holes.
- Make a pilot hole in each marked location, then insert the six provided plastic anchors (B).
- After the plastic anchors are set into the wall, align the vanity, and insert the six mounting screws (B) into the plastic anchors.



3. Secure Sink

- Using your chosen adhesive, apply a bead of silicone around the top edge of the vanity frame.
 - Carefully lower the sink into place so that it is resting on the vanity on the vanity base.
 - Press sink firmly into place and wipe away excess sealant with a damp cloth.
- NOTE:** Curing time may differ depending on which adhesive you use. Be sure to check the instructions on your adhesive prior to use.



ONE YEAR LIMITED WARRANTY

Swiss Madison® products are made with quality materials and excellent craftsmanship to provide our customers with beautiful, durable, long-lasting products. Should there be any defects in materials or craftsmanship under regular use that are discovered within the first year of installation, Swiss Madison® will provide replacement parts at no charge, or at its discretion, replace any product or part of the product that is deemed defective, under normal installation, use, service or maintenance. This warranty applies only to the original purchaser. Proof of purchase will be required in the instance of a claim.

Swiss Madison® recommends all installations of Swiss Madison® products to be conducted by a licensed, professional plumber or contractor. Swiss Madison® will not be held responsible for any damage or product failure due to improper installation, misuse, or failure to utilize a licensed professional for installation. Swiss Madison® is not responsible for any installation or removal costs.

This One Year Limited Warranty Will Be Voided If:


- The installation recommendations were not followed by the installer
- The product has been moved from its initial place of installation
- The product has in any way been modified from its packaged state
- The product has been subjected to improper maintenance, abuse, misuse, excessive use of chemicals, accidents, or other damages, etc.

Swiss Madison® makes no implication that its products comply with any local building or plumbing codes. It is the consumer's responsibility and obligation to determine local code compliance prior to and during installation. This warranty extends only to the original purchaser and first consumer.

Swiss Madison® is not responsible for any special, incidental or consequential damages associated with the installation, replacement, return or use of the original purchaser's product. This includes, but is not limited to: freight costs, labor, travel time, lost profit, home damages and other contingent liabilities and costs (including, without limitation, costs associated with 'professionals' or 'experts', investigations, audits, analyses, attorneys and any other professional/hired services).

The Swiss Madison® warranty is a comprehensive and explicit limit of liability. All items not disclosed within the warranty are not addressable within the responsibility of Swiss Madison®. Certain states have variances regarding implied warranties; in those situations, we remain fully compliant.

**If you have any questions or concerns, please contact us directly at
1-434-MADISON (623-4766)**

 **WARNING:** Contents of your order may contain sharp and possibly other harmful pieces and may cause hazard to children and adults. Swiss Madison® is not responsible in any way for personal damages.