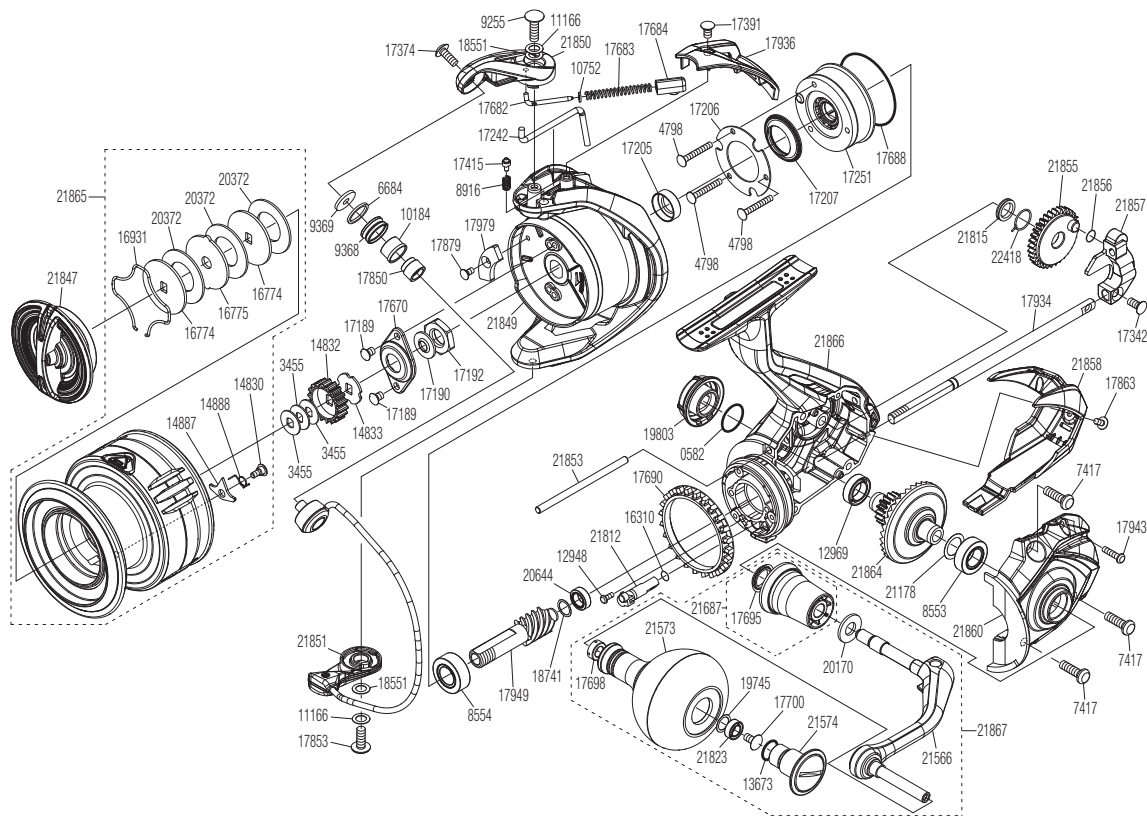


SHIMANO

NASCI

NS-C5000XG



Please note that the number of adjusting washers may not always be the same as shown in the exploded views.

(51SF45H049X)

Please note that your actions take full responsibility when you take it apart.

#	Part No.	Description	#	Part No.	Description	#	Part No.	Description
0582	108WH	O Ring	17207	10MH6	Roller Clutch Water Proof	20644	10RKR	Ball Bearing
3455	10BXN	Spool Washer	17242	106P4	Bail Trip Lever	21178	10EEZ	Washer
4798	103C6	Screw	17251	10QPN	Roller Clutch Assembly	21566	101G1	Handle Shank Assembly
6684	10KFD	Spacer	17342	10ML7	Screw	21573	10QUU	Handle Knob Assembly
7417	10L9Q	Screw	17374	10K90	Screw	21574	1027G	Handle Knob Seal
8553	107AT	Ball Bearing	17391	10LFK	Screw	21687	10SY6	Handle Shaft Cover Assembly
8554	107FE	Ball Bearing	17415	106ZC	Click Pin	21812	10TB2	Anti Reverse Cam
8916	10CHO	Click Spring	17670	10TRH	Rotor Nut Lock Plate	21815	10TBH	Bushing
9255	10LHX	Screw	17682	1061L	Bail Spring Guide A	21823	10K64	Ball Bearing
9368	10JLF	Line Roller	17683	105R6	Bail Spring	21847	101UA	Drag Knob Assembly
9369	10PPF	Washer	17684	107AB	Bail Spring Guide B	21849	101UE	Rotor
10184	10PFH	Bushing	17688	10MLU	O Ring	21850	101HV	Bail Arm
10752	10TYE	Bail Spring Guide A Collar	17690	104FV	Friction Ring	21851	10RJ5	Bail Assembly
11166	10KFA	Washer	17695	10PXV	Handle Shaft Seal	21853	101HU	Oscillating Guide
12948	10L1N	Screw	17698	10PXZ	Bushing	21855	101HS	Oscillating Gear
12969	107FA	Ball Bearing	17700	10LFA	Screw	21856	10241	O Ring
13673	10LAA	O Ring	17850	1020X	Collar	21857	101UC	Oscillating Slider
14830	10PH5	Screw	17853	10LFH	Screw	21858	10R94	Rear Protector
14832	103MU	Spool Support A	17863	10LCS	Screw	21860	10R91	Side Cover
14833	10J04	Spool Support B	17879	10LA3	Screw	21864	1023Z	Drive Gear
14887	103BD	Drag Click	17934	101SZ	Main Shaft	21865	10243	Spool Assembly
14888	10JM5	Drag Click Spring	17936	101T5	Bail Spring Cover	21866	10RJR	Body Assembly
16310	108WU	O Ring	17943	10LPL	Screw	21867	101HT	Handle Assembly
16774	10BCE	Key Washer	17949	101SV	Pinion Gear	22418	10RPB	Bushing Spring
16775	1022D	Eared Washer	17979	106GA	Counter Weight			
16931	10B8N	Retainer	18551	10K96	Washer			
17189	10PMC	Screw	18741	10SYU	Washer			
17190	107L4	Bearing Water Proof	19745	104FH	Washer			
17192	1067Y	Rotor Nut	19803	10RSK	Handle Screw Cap			
17205	10JHG	Rotor Ring	20170	10E5X	Washer			
17206	10L62	Roller Clutch Reinforce	20372	100EN	Drag Washer			