



# ASSEMBLY INSTRUCTION

BA9698-050 VALENTINO DRESSER

BA9698-060 VALENTINO LIGHTED MIRROR

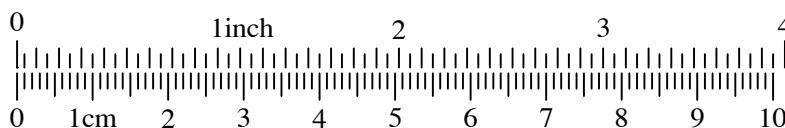
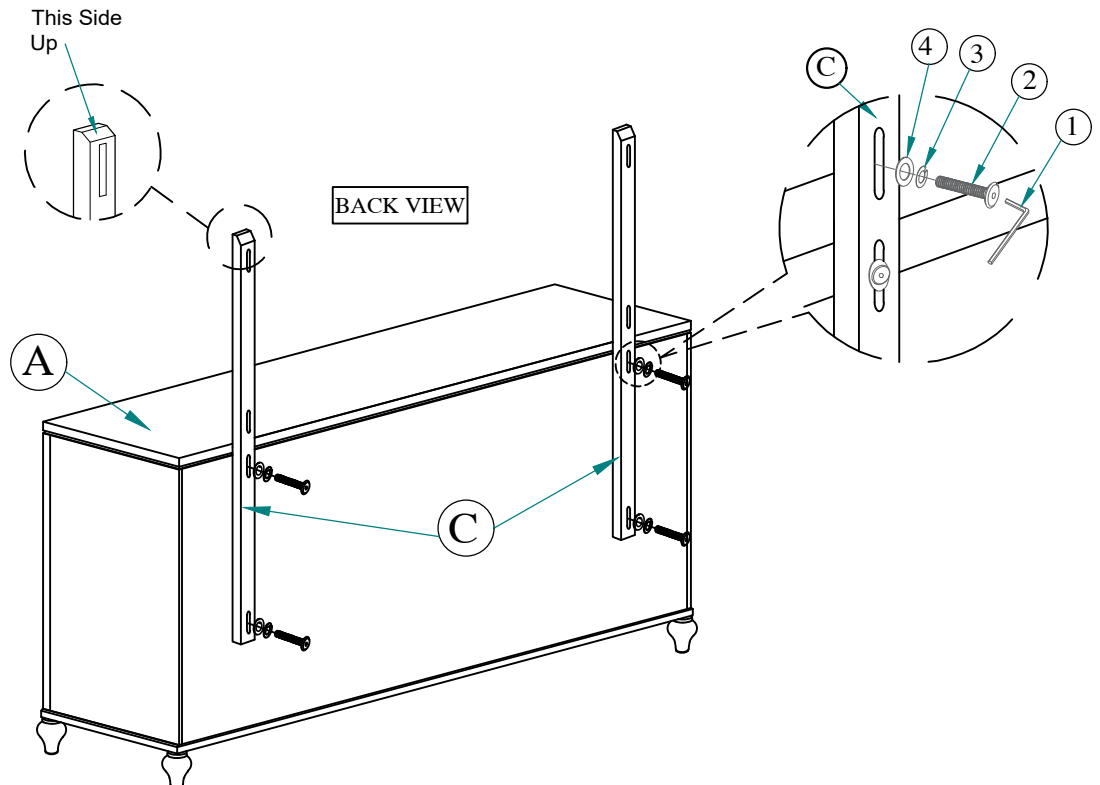
Thank you for purchasing this quality product. Be sure to check all packing materials carefully for small parts which may have come loose inside the carton during shipment. Identify and count all items and compare with the parts list and hardware list shown below.

PARTS LIST			
NO	DESCRIPTION	SKETCH	QTY
A	Dresser		1pc
B	Mirror		1pc
C	Mirror Support		2pcs

HARDWARE LIST			
NO	DESCRIPTION	SKETCH	QTY
1	Allen Key - M4		1pc
2	Bolt - M6 x 1-3/8"		8pcs
3	Spring Washer - M6		8pcs
4	Flat Washer - 1/4"		8pcs
5	AC/DC Adapter		1pc

PLACE WOOD PARTS ON A  
CLEAN NON-ABRASIVE SURFACE

**Step 1:** Assemble the Mirror Support (C) with the slant cut side up to the Dresser (A) by using Allen Key (1) and the hardware Bolt (2), Spring Washer (3), and Flat Washer (4).





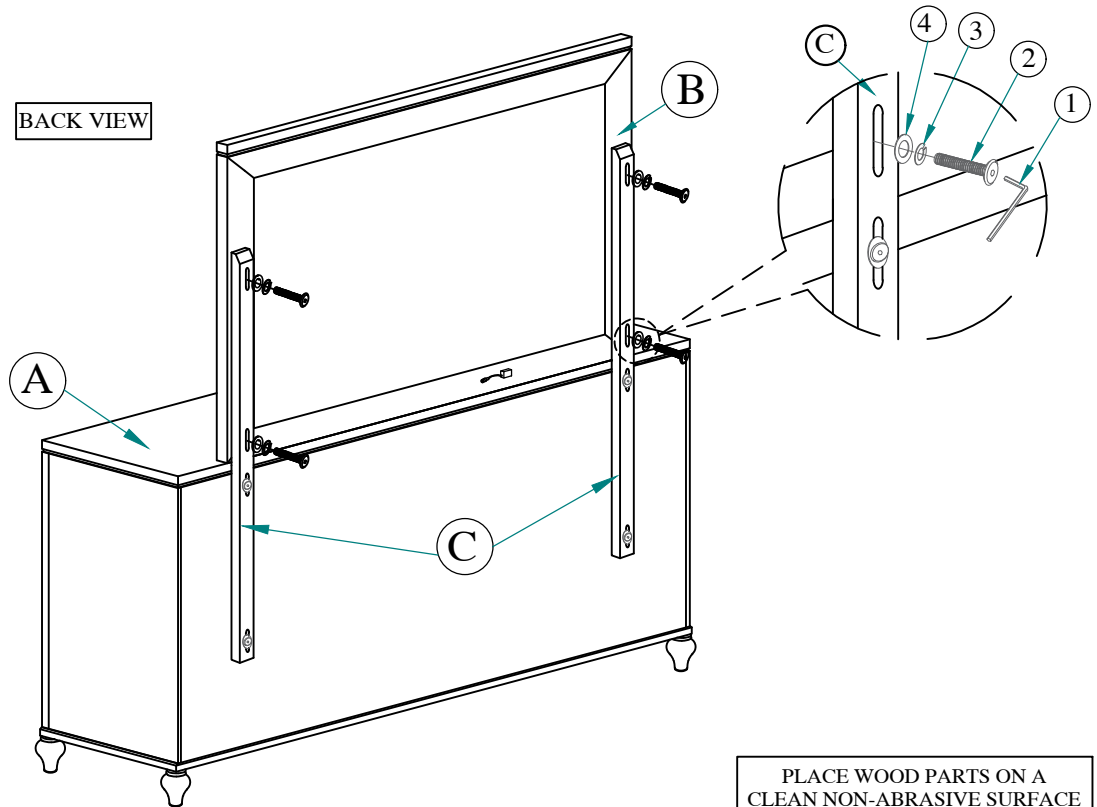
# ASSEMBLY INSTRUCTION

BA9698-050 VALENTINO DRESSER

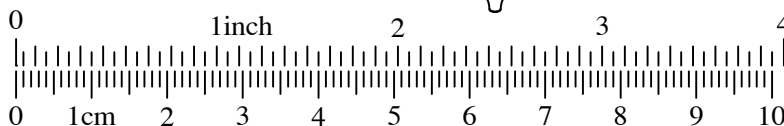
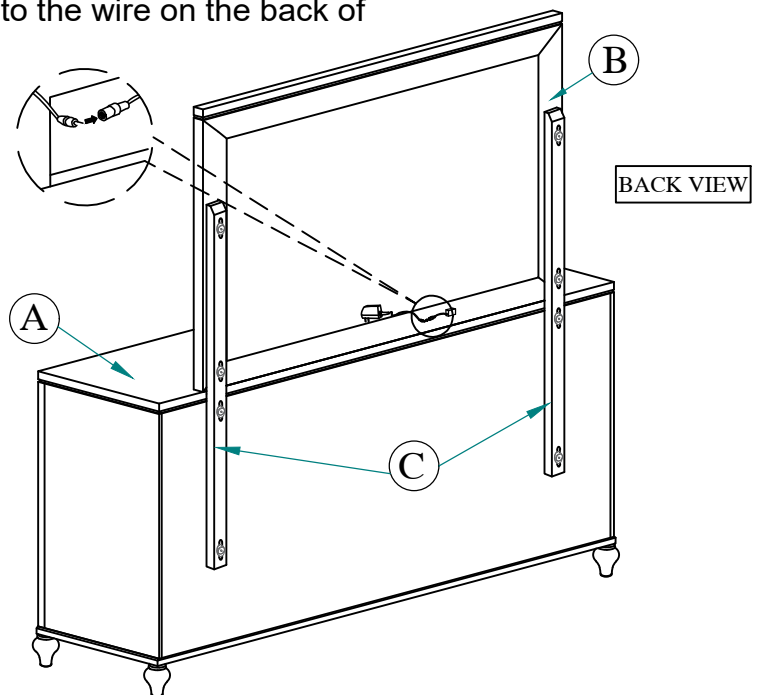
BA9698-060 VALENTINO LIGHTED MIRROR

PLACE WOOD PARTS ON A  
CLEAN NON-ABRASIVE SURFACE

**Step 2:** Assemble the Mirror (B) to the Mirror Support (C) by using Allen Key (1) and the hardware Bolt (2), Spring Washer (3), and Flat Washer (4).



**Step 3:** Connect the AC/DC Adapter (5) to the wire on the back of Mirror (B).





New  
Classic®  
FURNITURE

# ASSEMBLY INSTRUCTION

BA9698-050 VALENTINO DRESSER

BA9698-060 VALENTINO LIGHTED MIRROR

PLACE WOOD PARTS ON A  
CLEAN NON-ABRASIVE SURFACE

