

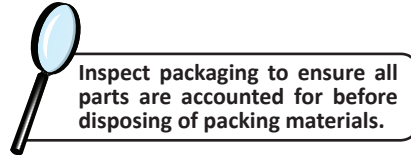
2-TIERED PAGODA OUTDOOR WATER FOUNTAIN WITH LED LIGHT

WNC-321

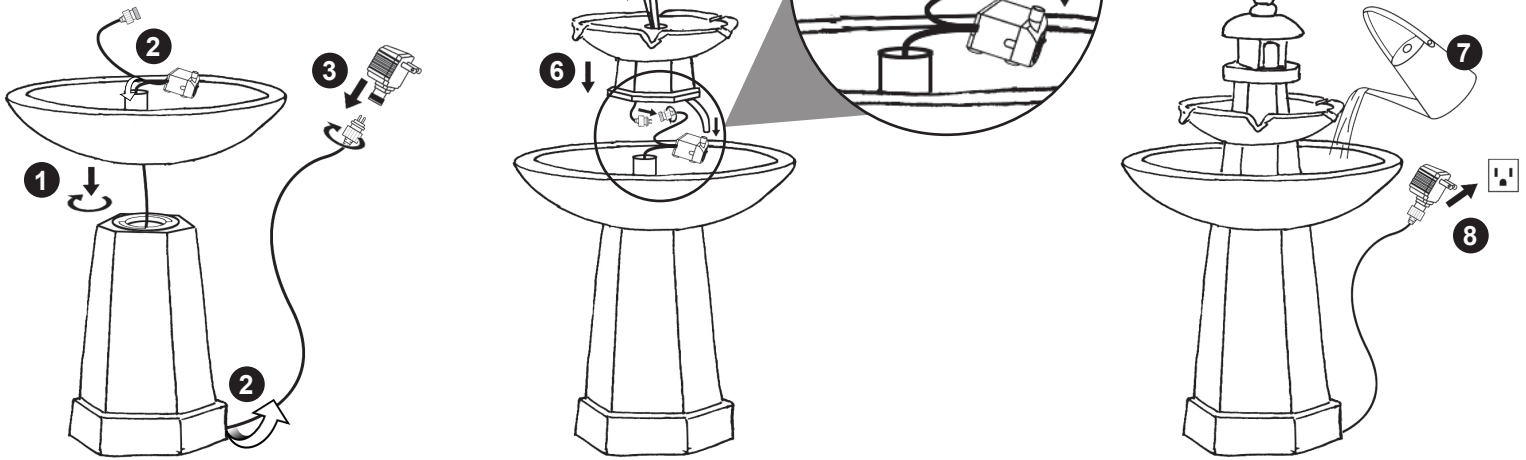
Read the assembly instructions carefully and follow the care instructions. Save these instructions for future reference.

Assemble components on a soft, clean surface to avoid scratching or damaging the finish. Select a smooth, level surface to place the fountain.

PARTS	QTY.
Fountain Topper	1
Middle Tier	1
Bottom Bowl	1
Pedestal	1
Electric Submersible Pump	1
AC Adapter	1



NOTE: The water tubing is built into the fountain topper. Take care when handling the water tube; detaching the water tube from the fountain will damage the fountain and void the product warranty.



ASSEMBLY

- Place the bottom bowl onto the pedestal and twist to lock the pieces together.
- Place the pump in the bottom bowl. Run the long pump power cord through the tube that is built into the bowl and through the pedestal.
- Firmly attach the AC adapter to pump power cord.
- Locate the water tube and light cord that are in the fountain topper and run them through the middle tier.
- Holding the topper and middle tier carefully:
 - Firmly attach the light cord to the short cable on the pump.
 - Attach the pump to the water tube; the connection will be airtight.
- Making sure the pump is on the bottom of the bowl, place the middle tier onto the bottom bowl.
- Fill the fountain with enough water to keep the pump fully submerged during operation, approximately 2 gallons.
- Plug the power cord into a properly grounded GFCI outlet.

Note: When first used, there may be air trapped in the pump. It may take several minutes for trapped air to escape, allowing water to flow. You may need to add more water as the pump begins to circulate water through the fountain.

TROUBLESHOOTING

- Ensure that the pump is fully submerged and add water if necessary.
- If water is not flowing within several moments of the fountain being plugged in, the pump may have trapped air which can prevent water from circulating properly. Simply unplug the power supply for a few moments and plug it back in. Also check the pump and tubing for obstructions.
- If water is not flowing, check the tubing for kinks or obstructions. If water is splashing, check the flow control on the body of the pump; it may need to be adjusted to achieve the desired flow rate.
- If the light is not working, ensure the cables are fully connected and the plastic collar is adequately tightened; do not over-tighten the collar.
- If water is not flowing evenly, ensure the fountain is on a smooth, level surface. Soft surfaces may cause the fountain to become unbalanced. A large stepping stone or paving stone (not included) is recommended to help ensure the fountain remains evenly balanced.
- If water is not flowing down the tier(s) evenly, try adjusting the tiers slightly. If adjusting tiers does not work, try using thin, plastic shims (not included) between tiers to level out the water flow.
- Ensure the power outlet is working; if in doubt about electrical connections, consult a certified electrician.

If you are still experiencing issues, please contact our customer service team through one of the methods mentioned at the top of page 1. Please have the item number and order information available to help expedite response time.

IMPORTANT INFORMATION

- For outdoor use only.
- Some splashing is normal; adjust the flow rate on the pump body if the water flow is too high.
- Check the water level and fill frequently to ensure the pump remains fully submerged; never allow the pump to run dry as it will burn out the motor.
- Only use water in this fountain. Distilled water will help prevent mineral buildup, but is not required. Avoid heavily chlorinated water as it may damage the fountain and pump.
- Periodically change the water to keep the fountain and pump clean. Remove scale and buildup regularly.
 - DO NOT use harmful additives such as bleach, chlorine, etc.
 - DO NOT use abrasive materials to scrub the fountain or pump.
 - DO NOT use a pressure washer to clean the fountain.
- Always shut the power supply off before cleaning and maintaining the fountain and pump.
- Take care when handling the pump; only pick it up by the body of the pump, never by the power cord.
- Before freezing weather, drain the fountain, disconnect the pump and store all components indoors; allowing ice to form may damage the fountain in such ways as, but not limited to, the fountain cracking, and/or permanent pump damage.
- Over time, the finish may gradually mellow in color; this is part of the natural aging process.

Any modification to the product or failure to follow recommended care will void the product warranty.

WARNING!

Manufacturer and seller expressly disclaim any and all liability from personal injury, property damage or loss, whether direct or indirect, or incidental, resulting from the incorrect attachment, improper use, inadequate maintenance, or neglect of this product.