

# MARILYN DINING TABLE ASSEMBLY INSTRUCTIONS



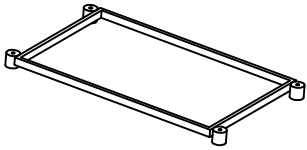
## PARTS PACKING CONFIGURATION

### BOX #1

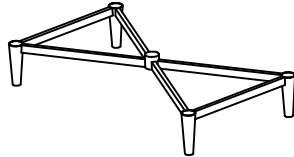
- A. ACRYLIC LEG 4 PCS
- B. TOP FRAME 1 PC
- C. BOTTOM FRAME 1 PC



B



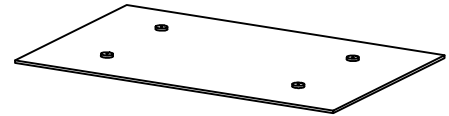
C



### BOX #2

- D. TABLE TOP 1 PC

D

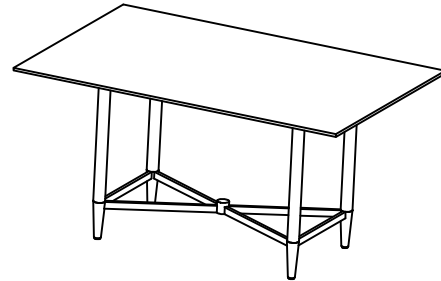


### HARDWARE ENCLOSED IN BOX #1

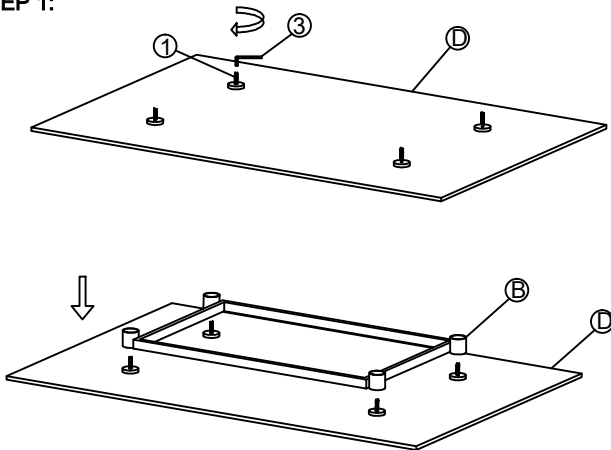
No	Description	Photo	Quantity
1	ALLEN BOLT (8x50mm)		4 PCS
2	LEG LEVELER		4 PCS
3	ALLEN KEY (M6)		1 PC



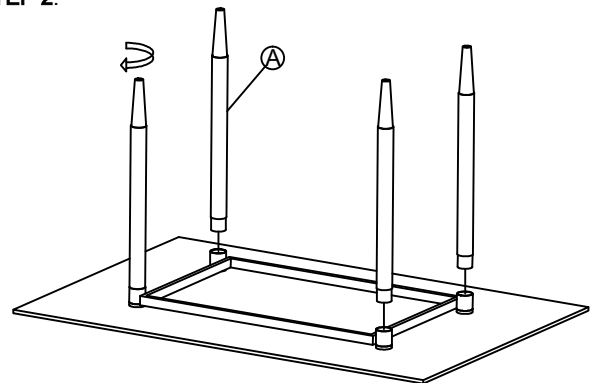
### MARILYN DINING TABLE FULLY ASSEMBLED



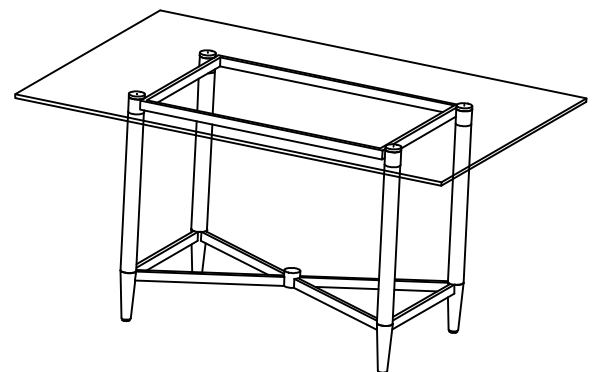
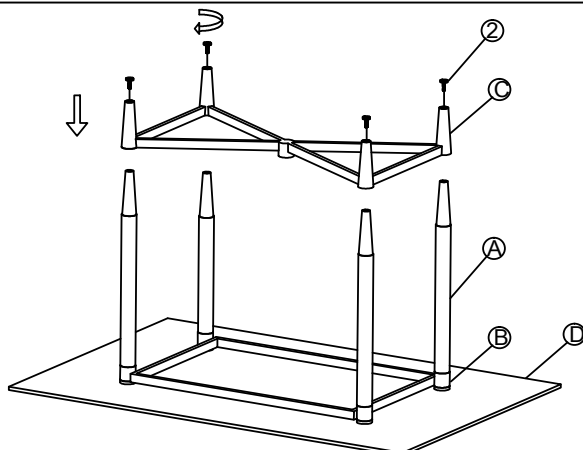
### STEP 1:



### STEP 2:



### STEP 3:



NOTE:  
IF THE TABLE IS NOT LEVEL ON YOUR FLOOR,  
PLEASE ADJUST LEVELERS ON UNDERSIDE OF THE LEGS(A)

FULLY ASSEMBLED