



1-800-248-7717 • 1002 N. 15th Street, Middlesboro, KY 40965

# RATCHET SIDE ROLL FOR OPEN TOP TRAILERS

## INSTALLATION INSTRUCTIONS



# RATCHET SIDE ROLL OPEN TOP INSTALLATION

Congratulations on your purchase of a Mountain Tarp Ratchet Side Roll Open Top tarping system. With tarping systems for dump bodies, transfer trailers, scrap trailers, landscaping trucks and roll-offs, Mountain Tarp offers the most complete line of tarping systems and parts in the industry.

**Note:**

Please read through instructions for entire system and follow instructions thoroughly to ensure your system will work properly. It is important that you inspect your trailer and prepare it for installation by removing any sharp edges or any thing that will cause damage to your tarp.

For further technical assistance, contact our corporate headquarters at (800) 248-7717 or email us at sales@mountaintarp.com. For parts and service, visit us at one of our locations in

Kentucky, Texas, or Ohio, or contact one of our many dealers nationwide. To learn more about Mountain Tarp and the products we offer, visit us online at [www.mountaintarp.com](http://www.mountaintarp.com).

Headquarters	Louisa, KY	Monroe, OH	Ravenna, OH	Houston, TX	San Antonio, TX
PO Box 186 1002 N. 15th St. Middlesboro, KY 40965 800-248-7717	225 Fallsburg Rd. Louisa, KY 41230 606-686-2117	940 Holman Ave. Monroe, OH 45050 513-422-7737	4442 State Rt. 14 Ravenna, OH 44266 330-325-7722	12245 FM 529 Rd, Houston, TX 77041 888-618-8277	78 Harby Dr. San Antonio, TX 78212 888-618-8277

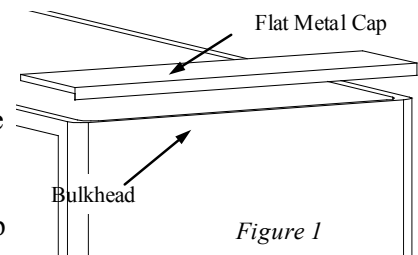
## TABLE OF CONTENTS

Step 1: Installing Front Cap	3	Step 5: Installing Roll Pipe and Anchor Pipe	4-5
Step 2: Installing EZ Off Tarp	3	Step 6: Installing the Tarp	5
Step 3: Installing Ratchets	4	Step 7: Installing Ratchet Straps	5
Step 4: Installing Crank-Retaining “J” Hooks	4	Step 8: Installing Rope and “J” Hooks	5

# RATCHET SIDE ROLL OPEN TOP INSTALLATION

## STEP 1: INSTALLING THE FRONT CAP

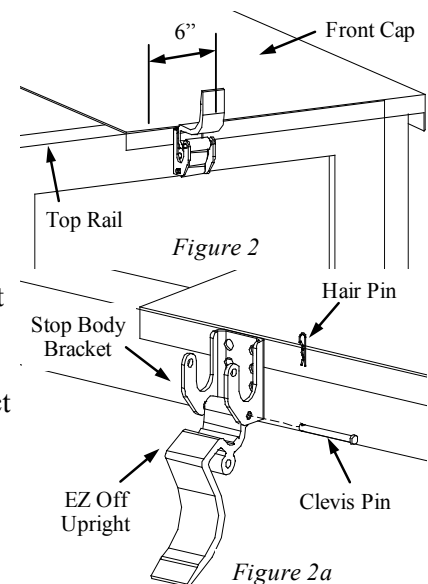
1A: **Mounting the front cap**, see figure 1. If caps are being used, fit the cap onto the front of the trailer with the three inch flange. Drill four holes (spaced evenly across the front) through the flange and the bulkhead. Then drill two holes through the 1-1/2" flange on each side of the cap and matching holes through the side of the trailer. Hold the cap in position and fasten using machine bolts provided.



2A: **Mounting the rear cap**. If using a rear cap, follow step 1A and install the cap to the rear of the trailer.

## STEP 2: INSTALLING THE EZ OFF TARP

2A: **Installing the front and rear EZ Off tarp stops for systems with caps**, see figure 2. First determine the proper placement for the first and last stops, and the remaining tarp stops will be placed relative to those. If a cap is being used, measure forward from the rear of the cap 6" and make a mark on the top rail to allocate the first tarp stop.

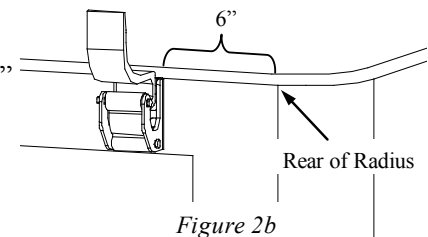


Next, mount the stop body bracket with the center of the bracket at this mark and the top of the bracket flush with the top of the top rail. Fasten the bracket to the rail using the 3/8x1-1/2" machine bolts provided, then connect the EZ Off upright to the mounted bracket by sliding a clevis pin through the bottom mounting hole in the bracket, the corresponding bottom mounting slot in the upright, and the mounting hole on the other side of the bracket, see figure 2a (Note: do not connect the top of the tarp stop as this will be done later in the installation).

To install the rear tarp stop, measure rear-ward from the front of the rear cap 6" and make a mark at this measurement. Do the same when mounting the front bracket and upright.

2B: **Installing the front and rear EZ Off tarp stops for systems without caps**, see figure 2b. If a front cap is not being used, measure backward 6" from the rear of the radius in the bulkhead and make a mark to allocate the front tarp stop (Note: if there is no radius, measure back from the front corner of the trailer).

Mount the stop body bracket with the center at this mark and the top of the bracket flush with the top of the top rail. Fasten the bracket using the 3/8" x 1-1/2" machine bolts provided, then connect the EZ Off upright to the bracket by sliding a clevis pin through the bottom mounting hole in the bracket, the corresponding bottom mounting slot in the upright, and the mounting hole on the other side of the bracket, see figure 2a.



On a system with no rear cap, measure forward 6" from the rear corner of the trailer and mark for the rear tarp stop. Mount the stop body bracket with the center of the bracket at this mark and the top of the bracket 1" down from top of the top rail (Note: if the rear tarp stop interferes with the door opening at the rear of the trailer, it may be necessary to move the tarp stop forward until the door can be opened without interference).

2C: **Installing the remaining EZ Off Tarp Stops**. Space remaining tarp stops evenly across the length of the trailer (approximately 8' apart) and mount them according to the instructions in the previous steps.

# RATCHET SIDE ROLL OPEN TOP INSTALLATION

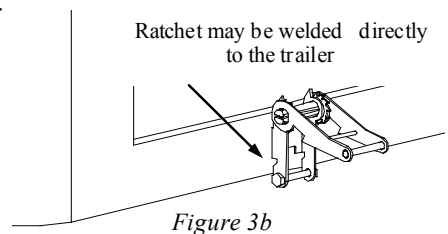
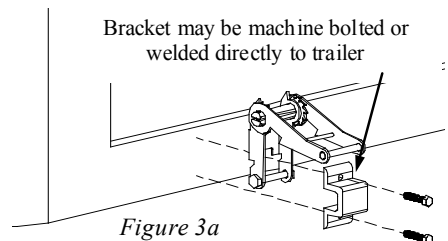
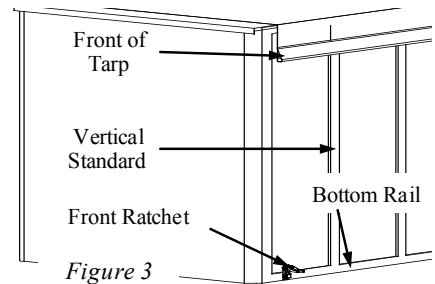
## STEP 3: INSTALLING THE RATCHETS

**3A: Installing the front and rear ratchets for systems with caps, see figure 3.** If a front cap is used, the front ratchet should be mounted directly below the bottom rail or at the bottom of the nearest vertical standard near where the front of the tarp will lay (Note: the front of the tarp will lay approximately 12" forward from the rear of the front cap).

If a rear cap is used, the ratchet will be mounted on the bottom rail or the bottom of the nearest vertical standard directly below where the rear of the tarp will lay.

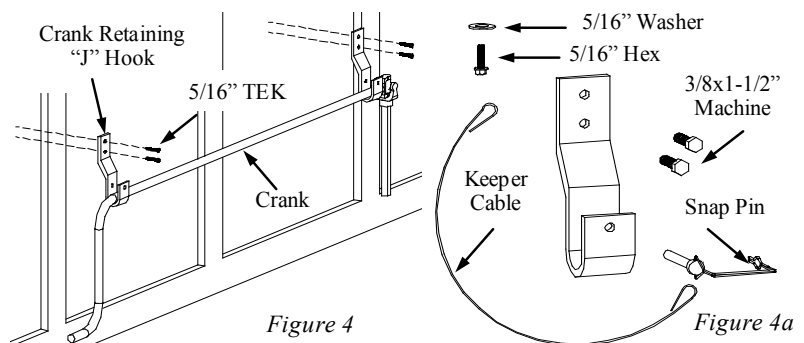
**3B: Installing the front and rear ratchets for systems without caps.** If no caps are used, measure back 6" to 12" from the rear of the radius and mount the front ratchet on the bottom rail or on the first vertical standard. To install the rear ratchet, measure forward from the rear corner of the trailer 6" to 12" and mount the ratchet on the bottom rail or on the last vertical standard.

**3C: Installing the remaining Ratchets.** Install the remaining ratchets by spacing them evenly across the bottom rail or vertical standards. The ratchets can be mounted to the trailer using the ratchet brackets and machine bolts provided, see figure 3a. The ratchets may also be welded directly to the trailer, see figure 3b.



## STEP 4: INSTALLING THE CRANK RETAINING "J" HOOKS

**4A: Mounting the Crank Retaining "J" Hooks, see figure 4.** Find the most practical and convenient spot on the passenger side, usually at the rear of the trailer to install the hooks. When found, hold the crank up to the trailer at this spot and mark where the "J" hooks should be mounted (Note: remember to space the "J" hooks so that the crank will not be able to slide back and forth).



Next mount the "J" hooks at the marks using the machine bolts provided. Place the crank in the "J" hooks and secure using the pins provided with the retaining "J" hook assembly, see figure 4a.

## STEP 5: INSTALLING THE ROLL PIPE AND ANCHOR PIPE

**5A: Installing the Anchor Pipe.** Piece the anchor pipe lengths together, then feed the 1" anchor pipe into the 4-1/2" pocket on the driver side of the tarp. When threaded all the way into the pocket, cut the anchor pipe to the exact length of the tarp.

# RATCHET SIDE ROLL OPEN TOP INSTALLATION

## STEP 5: INSTALLING THE ROLL PIPE AND ANCHOR PIPE CONT.

5B: Installing the Roll Pipe. Next piece the roll pipe lengths together and feed the 2" roll pipe into the 6" pocket on the passenger side of the tarp. Cut the roll pipe 3 feet longer than the tarp. After cutting the pipe, use the "U" clamps provided to fasten the tarp to the roll pipe with two feet of pipe protruding from the front of the tarp (Note: roll pipe protrudes according to the front cap present) and one foot protruding from the rear of the tarp, see figure 5 (Note: for chip trailers and other trailers with side-swing style rear doors, cut an extra 10" off the roll pipe at the rear of the tarp so there are only 6" of pipe protruding from the rear of the tarp). This will allow the doors to open without interference from the roll pipe).

Use one "U" clamp on the front of the tarp, one on the rear of the tarp and space the remaining clamps evenly across the tarp.

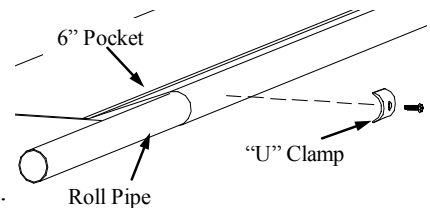


Figure 5

## STEP 6: INSTALLING THE TARP

6A: Installing the Tarp. After the roll pipe and anchor pipe is in place, roll the tarp up starting on the side of the roll pipe, or the passenger side, and roll toward the side of the anchor pipe, or the driver side. (Note: At this time, the rope may be tied to the D-Rings on the roll pipe side of the tarp.) Lift the tarp and place it on top of the trailer with the anchor pipe side of the tarp on the driver side, or the side the tarp stops are on. Place the anchor pipe and tarp into the slot on the stop body brackets, then close the tarp stops and insert the remaining clevis pin into the stop to secure the tarp to the tarp stops, see figure 6. After the tarp is secure, use the rope to pull the tarp to the covered load position.

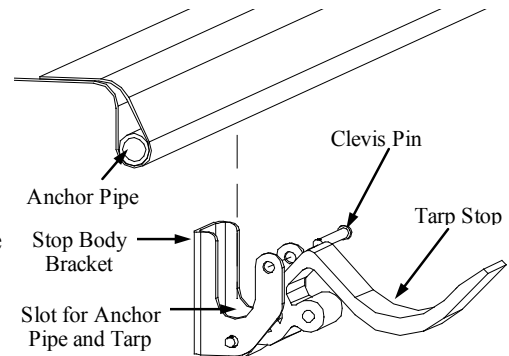


Figure 6

## STEP 7: INSTALLING THE RATCHET STRAPS

7A: Installing the Ratchet Straps. First cut a small slit directly above the first ratchet (about the width of the strap) in the 6" pocket on the tarp just above the roll pipe (Note: cut the slit only in the pocket, do not cut the tarp above the pocket). Next thread the end of the strap without a D-ring through the slit, then through the D-ring on the other end of the strap, and pull the strap tightly around the roll pipe. Install straps directly above each of the remaining ratchets. Finally, thread the straps into the ratchets and ratchet the tarp down firmly.

## STEP 5: INSTALLING THE ROPE AND "J" HOOKS

8A: Installing the Rope and "J" Hooks. With the previously attached rope hanging down on the passenger, or roll pipe, side of the system, mount a "J" hook to the bottom rail using the 1/4" x 1" tek screws provided. Next, measure toward the rear of the trailer two feet and mount another "J" hook, see figure 7. Wrap the rope around the "J" hooks in a figure eight pattern to secure the tarp in position. Repeat this process for the remaining ropes and directly on the other side of the trailer.

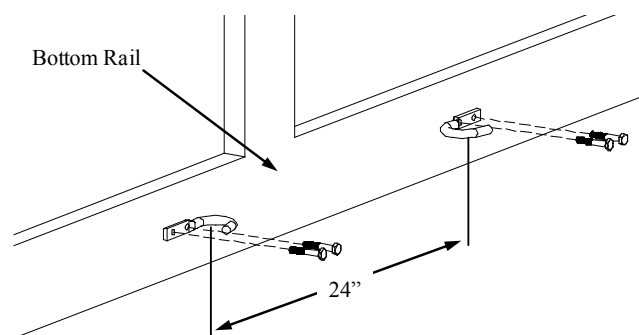


Figure 5