








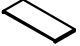
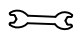
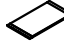



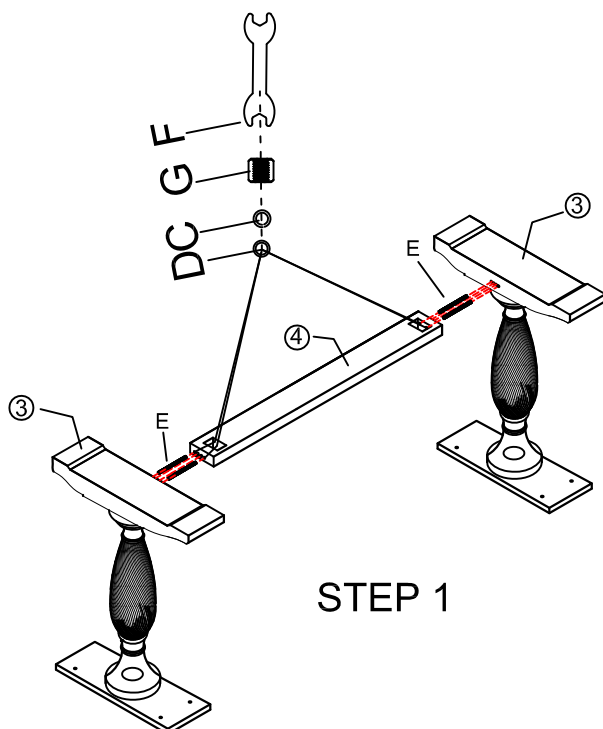
ITEM: 5961-75206B-02 Friendship Table Base
5961-75206T-02 Friendship Table Top

Thank you for purchasing this quality product. Be sure to unpack carefully looking for small parts which may have come loose during shipment. Read all instruction and study the drawing carefully before starting the assembly process.

HARDWARE LIST					PARTS LIST			
NO.	DRAWING	DESCRIPTION	SIZE	Q'TY	NO.	DRAWING	DESCRIPTION	Q'TY
A		Allen Wrench	108*76*5mm	1PC	1		Mounting Bridge	2PCS
B		Bolt	Ø5/16"	8PCS	2		Extension Block	2PCS
C		Lock Washer	Ø5/16"	12PCS	3		Pedestal	2PCS
D		Flat Washer	Ø5/16"	12PCS	4		Stretchers	1PC
E		Threaded Rod	Ø5/16"	4PCS	5		Leaf	2PCS
F		Spanner Wrench	Ø5/16"	1PC	6		Table Top	1PC
G		Nut	Ø5/16"	4PCS				

***Note:**

1. Height of this table can be adjusted by removing or using extension blocks.
2. Leaves can not be switched, follow numbers on leaves and top when assemble.

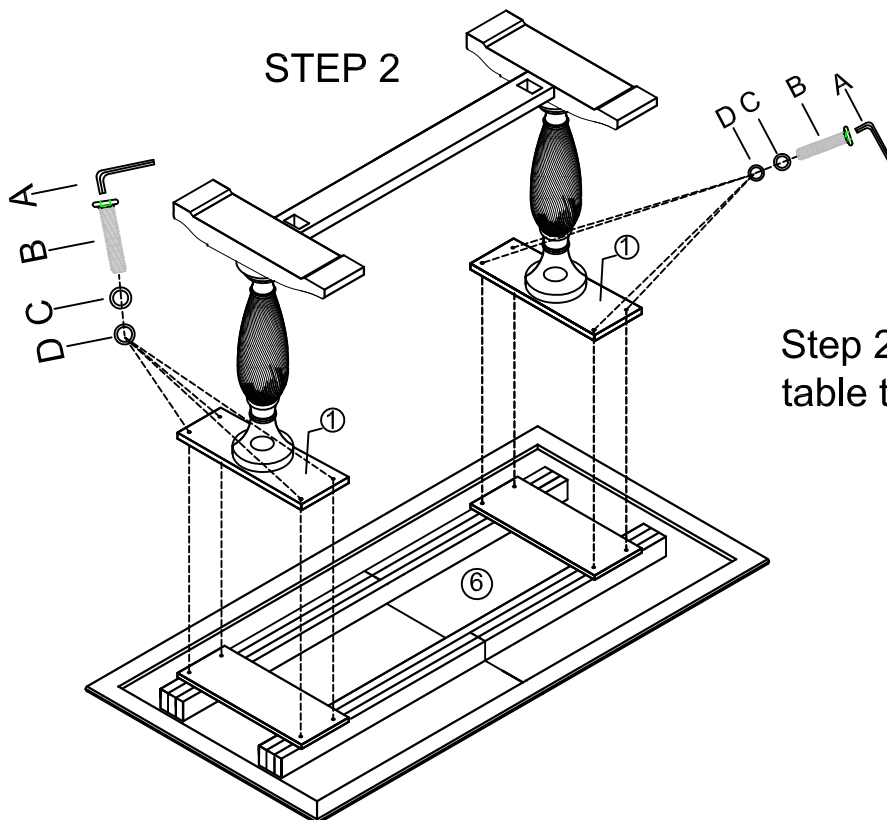


Assembly steps for table in 36" height, with extension blocks.

Step 1: Attach stretcher (4) between the pedestals (3).

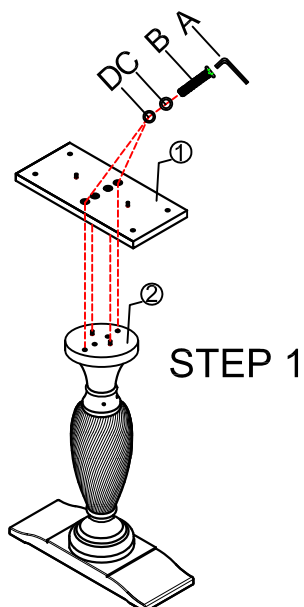
ITEM: 5961-75206B-02 Friendship Table Base
5961-75206T-02 Friendship Table Top

Thank you for purchasing this quality product. Be sure to unpack carefully looking for small parts which may have come loose during shipment. Read all instruction and study the drawing carefully before starting the assembly process.



Step 2: Attach whole base to table top (6).

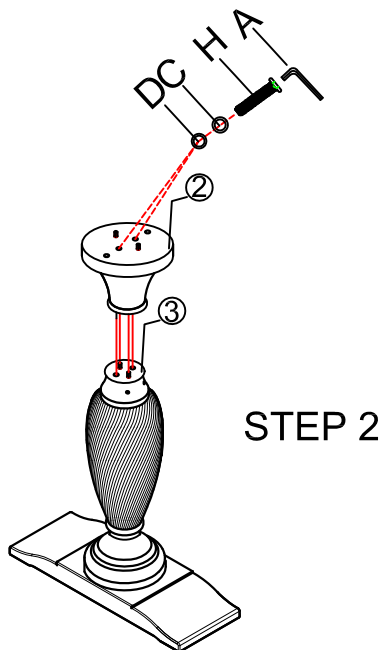
Assembly steps for table in 30" height, without extension blocks.



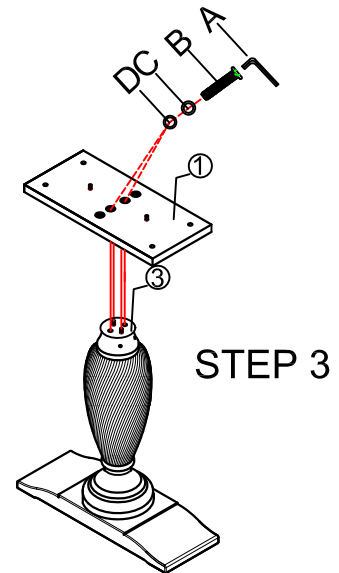
Step 1: Unscrew the assembly hardware as shown in diagram, then remove mounting bridge (1).

ITEM: 5961-75206B-02 Friendship Table Base
5961-75206T-02 Friendship Table Top

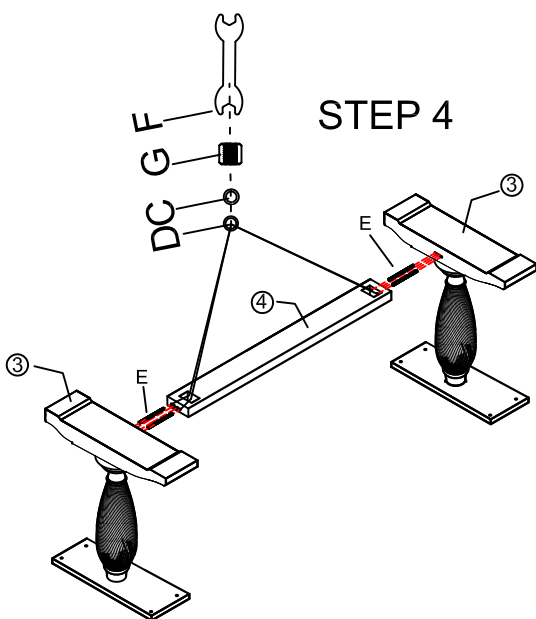
Thank you for purchasing this quality product. Be sure to unpack carefully looking for small parts which may have come loose during shipment. Read all instruction and study the drawing carefully before starting the assembly process.



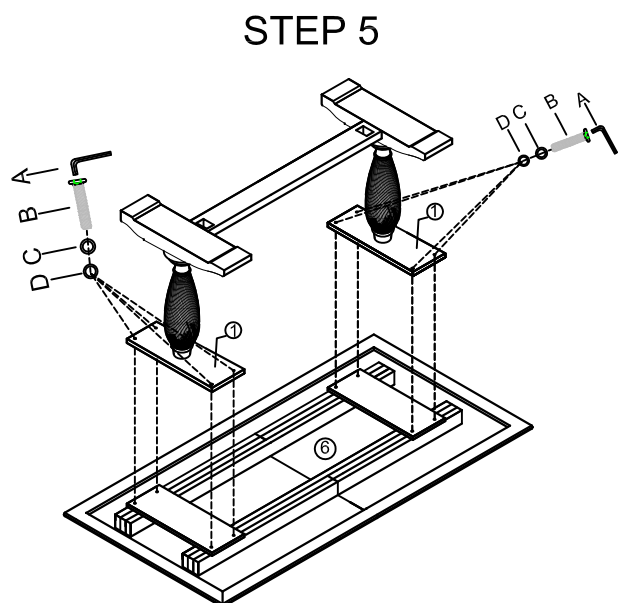
Step 2: Unscrew the assembly hardware as shown in diagram, then remove extension block (2).



Step 3: Re-assemble the mounting bridge (1).



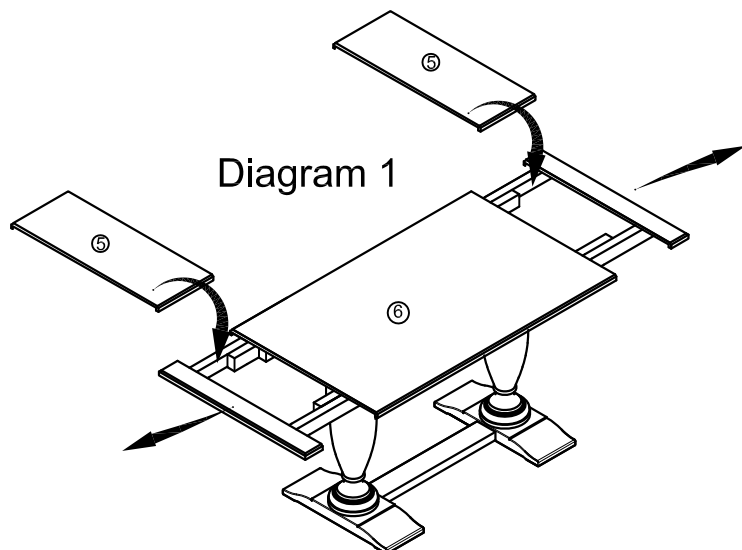
Step 4: Attach stretcher (4) between the pedestals (3).



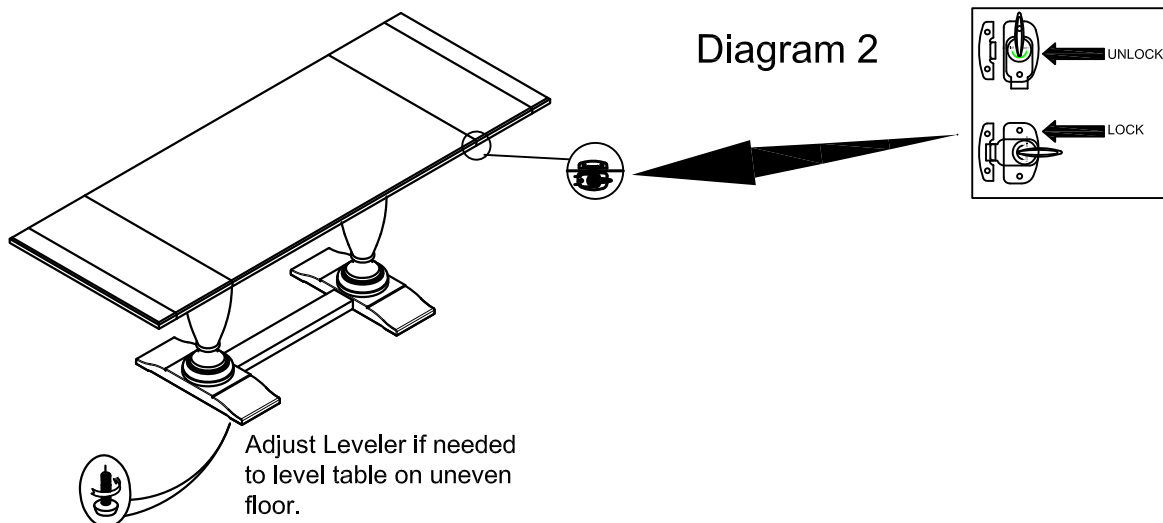
Step 5: Attach whole base to table top (6).

ITEM: 5961-75206B-02 Friendship Table Base
5961-75206T-02 Friendship Table Top

Thank you for purchasing this quality product. Be sure to unpack carefully looking for small parts which may have come loose during shipment. Read all instruction and study the drawing carefully before starting the assembly process.



*Please note: Match the number at the underneath of each leaf and each side of the top during assembly.



Instruction for table leaves:

1. There are latches at the bottom of table top, unlock the latches as shown in Diagram 2 .
2. Pull out table top as the arrow direction shown in Diagram 1 .
3. Place table leaves (5) between the table tops and push table tops together.
4. Lock the latches. (See Diagram 2)
5. Take opposite actions to remove table leaves.