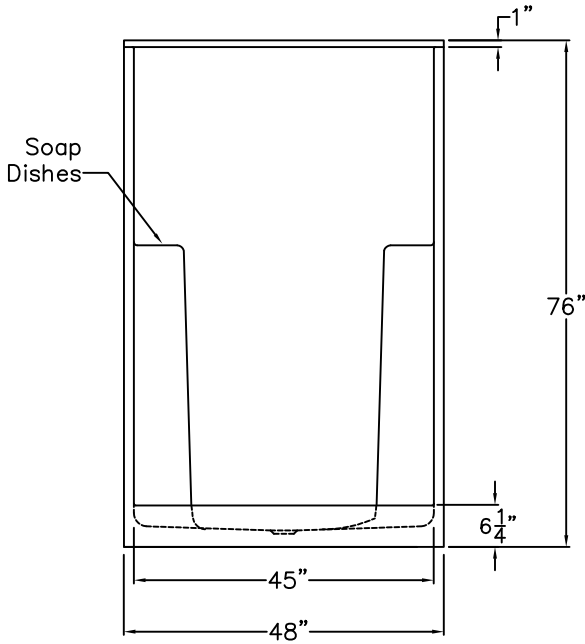


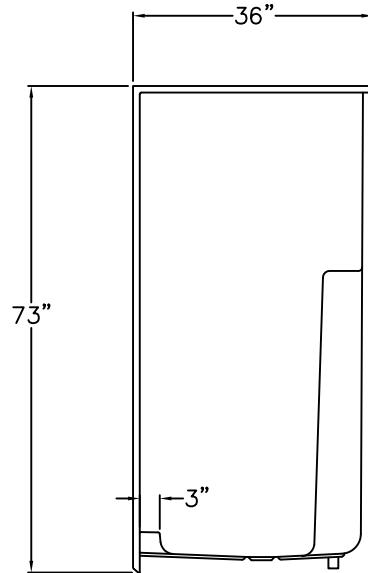
# LUXURY GELCOAT SERIES

## SUBMITTAL DATA

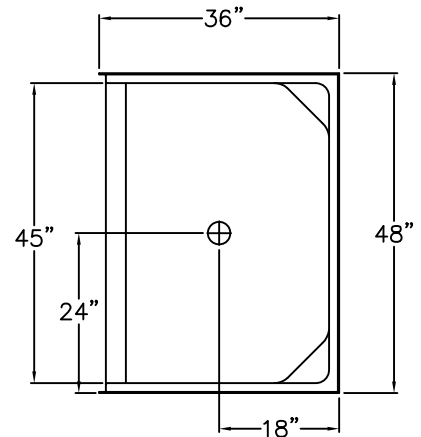
FRONT VIEW



SIDE VIEW



TOP VIEW



### Smooth Wall Gelcoat Shower

The shower enclosure shall be Praxis Model S640 center. Finished surface shall be of a sanitary-grade polyester Gelcoat exhibiting a minimal thickness of 15 dry mils, and a finished cured Barcol hardness of 80-90 as tested with ASTM D-2583. Unit construction shall be of molded reinforced fiberglass with a 15% minimum fiberglass content. The base shall be attached to the sump of the unit in such a manner to form an integral part with an inner and outer coating of reinforced polyester resin. The unit shall meet HUD, FHA, BOCA, CSA B45.5, IAPMO Z124-11, Home Innovation Research Lab, UPC, and shall meet the requirements of the Southern Building Code.

The unit shall have outside dimensions of 48" x 36" x 73".

The enclosure shall be equipped with the following factory installed accessories:

- 1) Two Molded Soap Dishes,
- 2) Center drain location,
- 3) 6 1/4" Threshold.

DUE TO THE NATURE OF THE MATERIALS  
DIMENSIONS MAY VARY ± 1/2"

Model:	PRAXIS
Approved by Print Name:	Drawing#: S640
Approved by Signature:	Date Approved:      Date: 7-18-96      Revised: 6-4-14
Rep.:	Wholesaler:      Quote No.:

PRAXIS INDUSTRIES, INC.  
435 INDUSTRIAL RD - SAVANNAH, TN 38372  
1 (800) 443-7269 - FAX (901) 925-4290