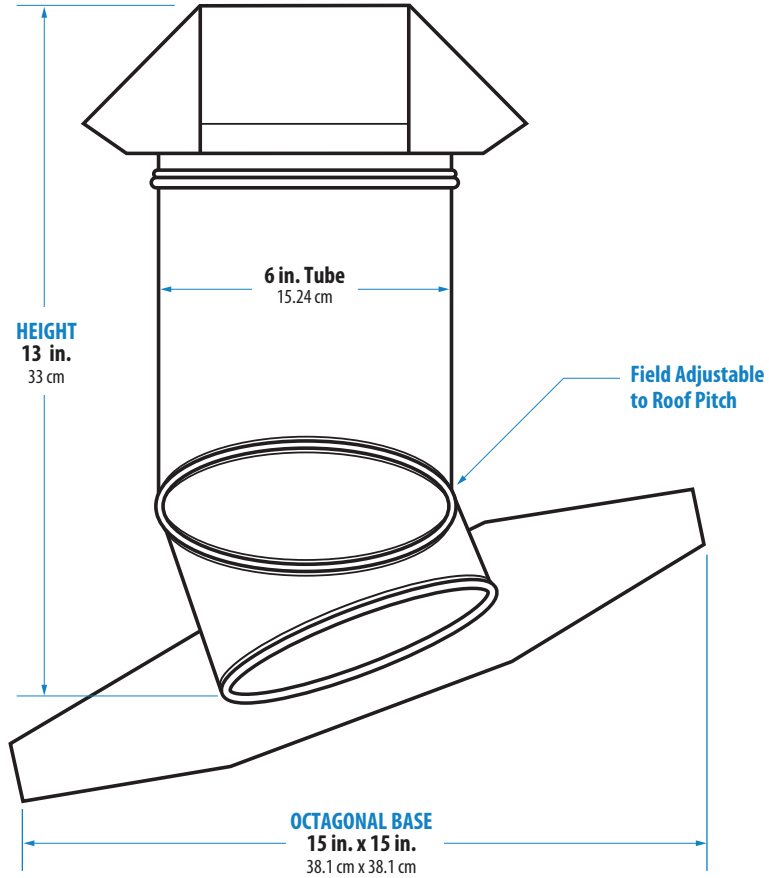


Steel Specification: Prime galvanized steel sheet in coil produced in accordance to ASTM A924/A653, CSB, G-30 Coating, regular spangle, chemically treated dry.
Base Thickness: Galvanized 0.016 in. / Painted 0.019 in. • Stack Thickness: Galvanized 0.012 in. / Painted .013 in. • Cap Thickness: Galvanized 0.012in. / Painted 0.013 in.



JACK6BLK
BLACK

