

# ***SWIVEL BAR STOOL***

Item Number W85010

## **OWNER'S MANUAL**



**Performance Tool®**

**▲WARNING:** READ, UNDERSTAND AND FOLLOW ALL INSTRUCTIONS AND WARNINGS BEFORE OPERATING THIS TOOL. FAILURE TO DO SO MAY RESULT IN PERSONAL INJURY AND/OR PROPERTY DAMAGE AND WILL VOID WARRANTY.

**PT®**

**Performance Tool**

# SAFETY GUIDELINES / DEFINITIONS

This instruction manual is intended for your benefit. Please read and follow the safety, installation, maintenance and troubleshooting steps described within to ensure your safety and satisfaction. The contents of this instruction manual are based upon the latest product information available at the time of publication. The manufacturer reserves the right to make product changes at any time without notice.

**▲WARNING:** Read and understand this entire instruction manual before attempting to assemble, install, operate or maintain this product. Failure to comply with the instructions may result in serious personal injury and/or property damage!

The following signal words are used to emphasize safety warnings that must be followed when using this product:

**▲DANGER** Indicates an imminently hazardous situation that, if not avoided, WILL result in death or serious injury.

**▲CAUTION** Indicates a potentially hazardous situation that, if not avoided, MAY result in minor or moderate injury.

**▲WARNING** Indicates a potentially hazardous situation that, if not avoided, COULD result in death or serious injury.

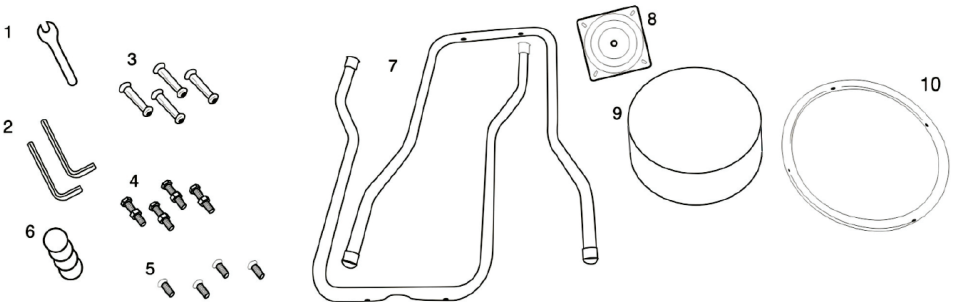
**▲NOTICE** Indicates important information, which if not followed, MAY cause damage to equipment.

# UNPACKING AND INSPECTION

Carefully unpack all components. Please compare to the following parts list. If any parts are missing, please call customer service at 1-800-426-1262 between 6:30 a.m. and 4:30 p.m. Pacific time.

## PARTS LIST

No.	Description	Qty.	No.	Description	Qty.
1	Wrench.....	1	6	Shims .....	4
2	Allen Wrenches .....	2	7	Stool Legs.....	2
3	3/4 in. Screw and Sleeve .....	4	8	Swivel Plate .....	1
4	1-3/8 in. Screws and Nuts .....	4	9	Cushion.....	1
5	1/2 in. Machine Screws .....	4	10	Outer Support Ring/Foot Rest ....	1



## SPECIFICATIONS

Seat Dimensions .....	13-4/5 in. Diameter x 3-3/4 in. Thick
Seat Height.....	29 in.
Leg Floor Dimensions.....	26 in. 4-Way Leg Spread
Foot Rest to Floor.....	14-1/5 in.
Weight .....	12 lb.
Maximum Weight Capacity .....	300 lb.

Technical specifications are subject to change without notice.

## IMPORTANT SAFETY INFORMATION

1. This product is not a toy. Do not allow children to play with or near this item.
2. Use as intended only.
3. Inspect before every use; do not use if parts are loose or damaged.
4. Do not exceed weight capacity of 300 lb. Be aware of dynamic loading! Sudden load movement may briefly create excess load causing product failure.
5. Maintain product labels and nameplates. These carry important safety information. If unreadable or missing, contact customer service for a replacement.
6. Store idle equipment. When not in use, this product must be stored in a dry location to inhibit rust.
7. Replacement parts and accessories. When servicing, use only identical replacement parts.
8. **▲WARNING:** This product contains di (2-ethyl hexyl) phthalate (DEHP), a chemical known to the State of California to cause cancer and birth defects or other reproductive harm. (California Health & Safety Code § 25249.5, et seq.)
9. The warnings, cautions, and instructions discussed in this instruction manual cannot cover all possible conditions and situations that may occur. It must be understood by the operator that common sense and caution are factors which cannot be built into this product, but must be supplied by the operator.

## ASSEMBLY PRECAUTIONS

1. Assemble only according to these instructions. Improper assembly can create hazards.
2. Wear ANSI-approved safety goggles and heavy-duty work gloves during assembly.
3. Keep assembly area clean and well lit.
4. Keep bystanders out of the area during assembly.
5. Do not assemble when tired or when under the influence of alcohol, drugs or medication.
6. Weight capacity and other product capabilities apply to properly and completely assembled product only.

## ASSEMBLY INSTRUCTIONS

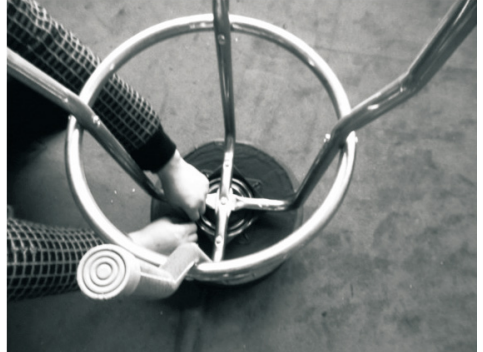


1. Place the two legs (7) together as shown in the above image.



2. Slide the ring (10) over the legs (7) and align the holes. Connect the ring (10) to the legs with the screws and sleeves (3) and tighten. Repeat for the other holes.

## ASSEMBLY INSTRUCTIONS CONT.



3. Place the swivel plate (8) on top of legs and align holes. Use screw and nuts (4) to connect swivel plate (8) to legs. Tighten securely. Repeat for the remaining holes.
4. Turn the stool over and secure the swivel plate to the bottom side of cushion (9) with 1/2 in. machine screws (5) as shown in the image above. Repeat for remaining holes.
5. Turn stool right side up. If the stool legs are uneven, insert a shim (6) between the foot pad and the stool leg to level the stool.

### 1 YEAR LIMITED WARRANTY

PERFORMANCE TOOL® extends only the following warranties, and only to original retail purchasers. These warranties give specific legal rights. Except where prohibited by local law, the law of the State of Washington governs all warranties and all exclusions and limitations of warranties and remedies. There may be other rights which vary from state to state.

PERFORMANCE TOOL® warrants the product to be free from defects in materials and workmanship under normal use and service. A defective product may be returned for a free replacement within 90 days from the date of purchase, provided that product is returned to place of purchase immediately after discovery of defect. After 90 days and up to one year from date of purchase, PERFORMANCE TOOL® will replace at no charge any parts which our examination shall disclose to be defective and under warranty. These warranties shall be valid only when a sales receipt showing the date of purchase accompanies the defective product or defective part(s) being returned. For part(s) after 90 days, please remit your request, postage prepaid to:

PERFORMANCE TOOL, P.O. Box 88259 Tukwila, WA 98138

These warranties exclude blades, bits, punches, dies, bulbs, fuses, hoses, and other consumables which must be replaced under normal use and service. These warranties shall not apply to any product or part which is used for a purpose for which it is not designed, or which has been repaired or altered in any way so as to affect adversely its performance or reliability, nor shall these warranties apply to any product or part which has been subject to misuse, neglect, accident or wear and tear incident to normal use and service.

PERFORMANCE TOOL® does not authorize any other person to make any warranty or to assume any liability in connection with its products.

Except for warranties of title and the limited express warranties set forth above, PERFORMANCE TOOL® makes no express or implied warranties of any kind with respect to its products. In particular, PERFORMANCE TOOL® makes no implied warranty of merchantability and no implied warranty of fitness for any particular purpose, except that for goods purchased primarily for personal, family or household use and not for commercial or business use, PERFORMANCE TOOL® makes an implied warranty of merchantability (and, if otherwise applicable, an implied warranty of fitness for a particular purpose), but only for the particular qualities or characteristics, and for the duration, expressly warranted above. The laws on limitation of implied warranties may differ from state to state, so the above limitations may not apply in all cases.

PERFORMANCE TOOL® shall not be liable for consequential, incidental or special damages resulting from or in any manner related to any product, or to the design, use, or any inability to use the product. The sole and exclusive remedy for a defective product or part shall be the repair, or replacement thereof as provided above. The laws on limitation of remedies or on consequential, incidental or special damages may vary from state to state, so the above limitations may not apply in all cases.