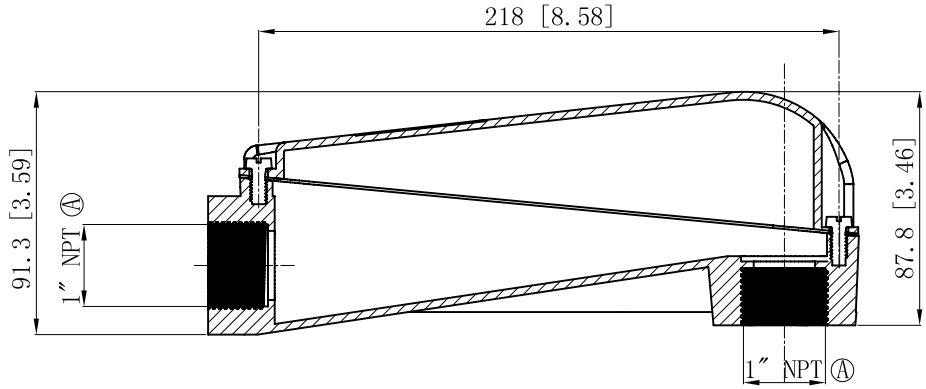
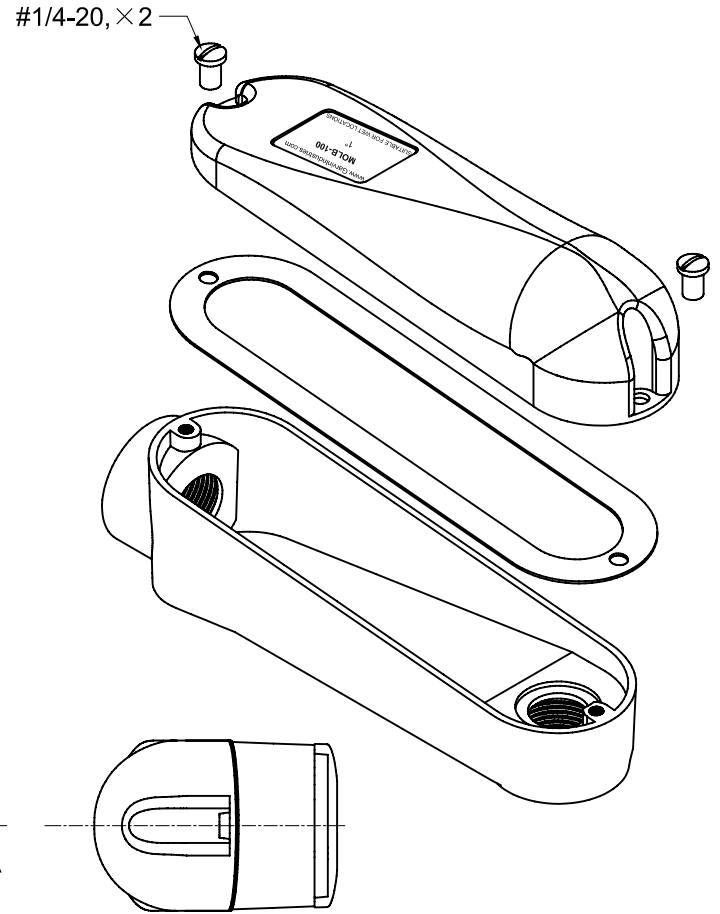
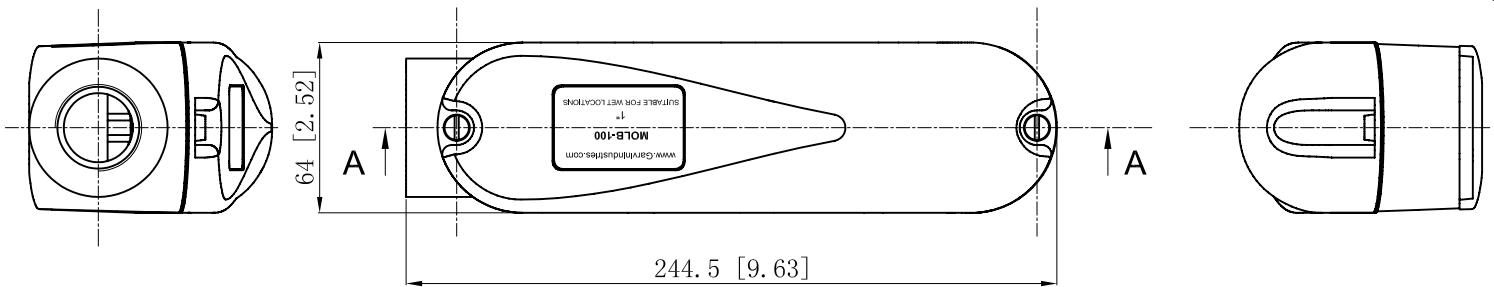


SIDES	BOTTOM
2 PCS 1/4-20×3/8 Screws Installed	
Material: Aluminum - Powder Coating Silver Grey	



CUTAWAY VIEW A-A



DESCRIPTION
TRADE REFERENCE TERMS

STANDARD PACKING		<p>This data sheet is for reference only .GARVIN INDUSTRIES reserves the right to make changes to the design without prior notice.</p> <h1 style="text-align: center;">GARVIN INDUSTRIES</h1> <h2 style="text-align: center;">MOGUL LB GONDUIT BODY</h2>		
2 PCS	TITLE		MOLB-100 DATA SHEET	
	SIZE	DWG NO.		
	A4		REV	A