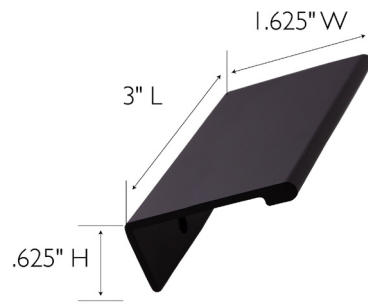
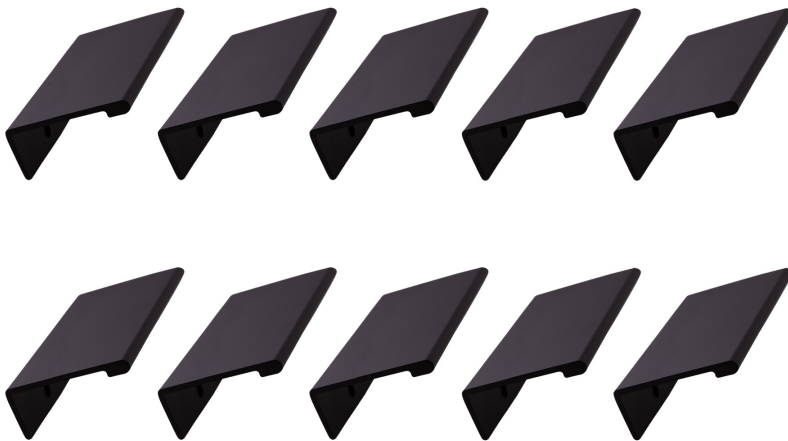


## Edge Cabinet Finger Pull, 10-Pack

Matte Black



### SPECIFICATIONS

MATERIAL CONSTRUCTION:	Zinc
MOUNTING HARDWARE INCLUDED:	Yes
TOOLS NEEDED FOR INSTALLATION:	Screwdriver
ASSEMBLED DIMENSIONS:	.625" H x 3" L x 1.625" W
ASSEMBLED WEIGHT:	.71 lbs.
PROJECTION:	1.625"

WARRANTY: 1-Year limited warranty

LEGAL FOR SALE IN CALIFORNIA: Yes



TYPE:  
JOB:  
ORDER CODE:  
APPROVALS: