

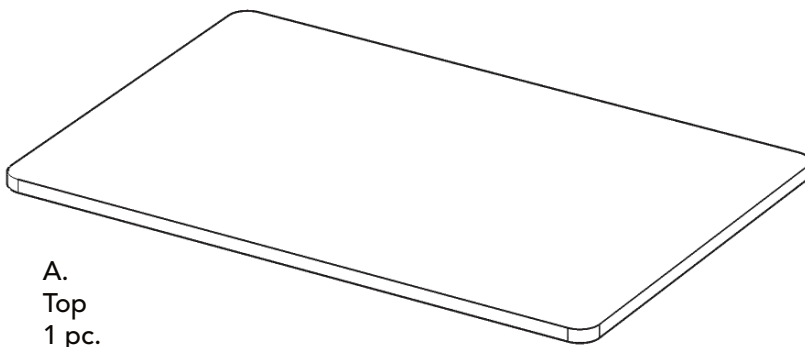
IMPORTANT

Carefully remove all the parts from the carton and place them individually on a soft cloth to prevent scratches or other damage.

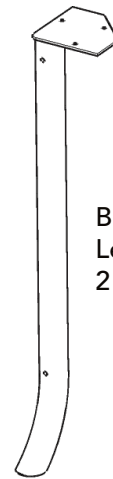
Carefully and strictly follow these assembly instructions to ensure a completed product as designed.

Do not use power tools above 8 volts to assemble.

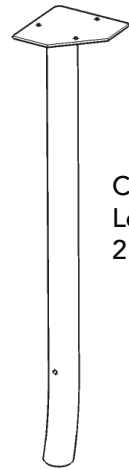
Part List



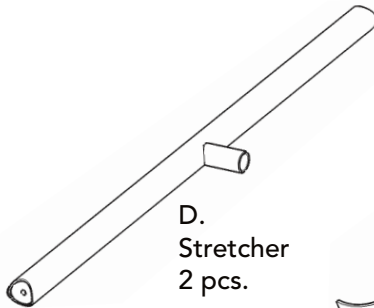
A.
Top
1 pc.



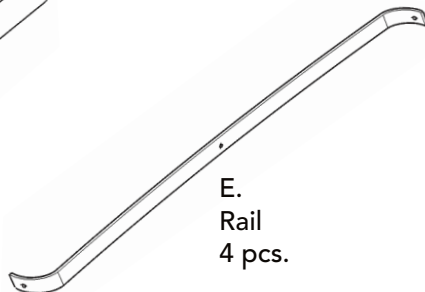
B.
Leg
2 pcs.



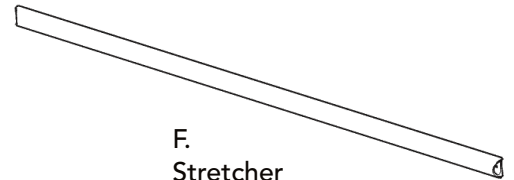
C.
Leg
2 pcs.



D.
Stretcher
2 pcs.



E.
Rail
4 pcs.



F.
Stretcher
1 pc.

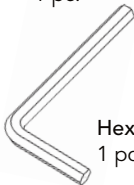
Hardware List



Key Wrench
1 pc.



Small
Hex Wrench
1 pc.



Hex Wrench
1 pc.



Nut Cap
2 pcs. (+1 extra)



Spring Washer
2 pcs. (+1 extra)



Flat Washer
4 pcs. (+1 extra)



M6x13
Bolt (short)
6 pcs. (+1 extra)



M6x16
Head Cap Bolt
2 pcs. (+1 extra)



M6x16
Tapered Head Bolt
12 pcs. (+1 extra)



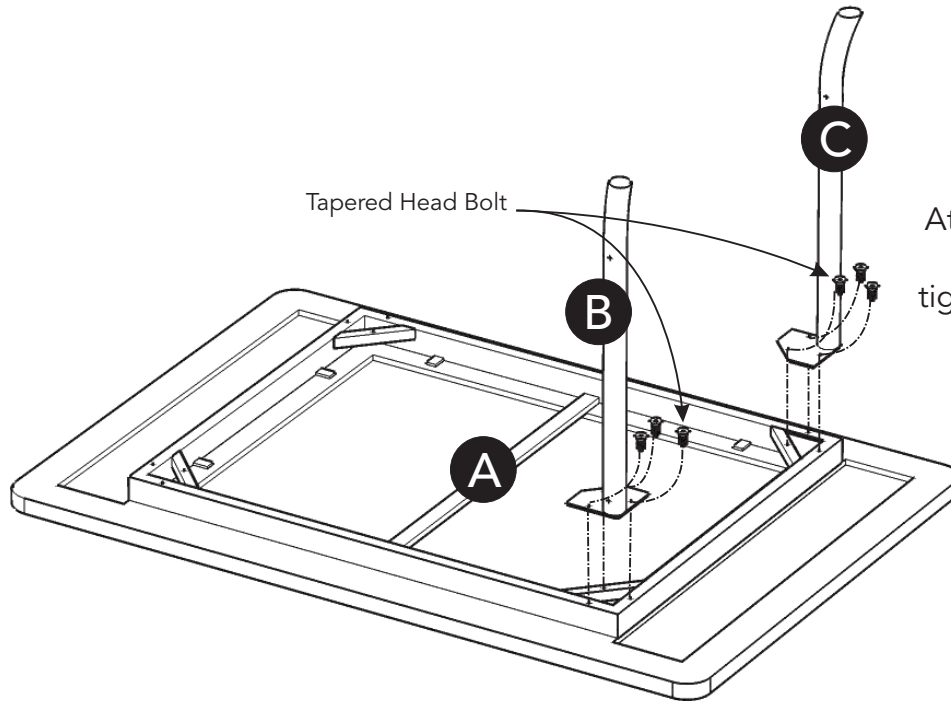
M6x60
Bolt (long)
4 pcs. (+1 extra)

Tool(s) required for assembly: Phillips screwdriver, Level

Assembly Instructions 2/4

IMPORTANT

- Use a soft cloth between these parts and the floor.
- Do not use power tools above 8 volts to assemble.
- Do not tighten all the bolts until the entire unit is properly assembled.
- The unit must be level to work properly. Use the included adjustable levelers to level.
- Keep Hex Wrench and Key Wrench in a safe place as the bolts may need to be tightened up in the future.



STEP 1

Attach Legs (B) and (C) to Top (A) with Tapered Head Bolts, tightening the bolts only half way. (See Figure 1)

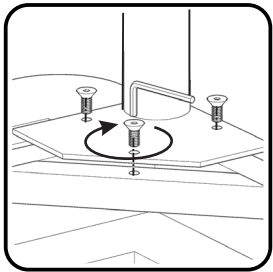


Figure 1

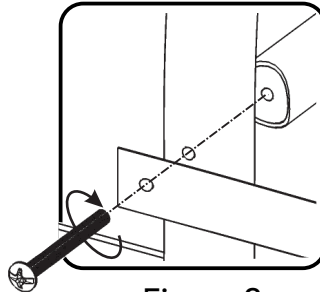


Figure 2

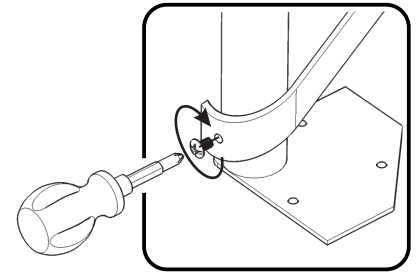
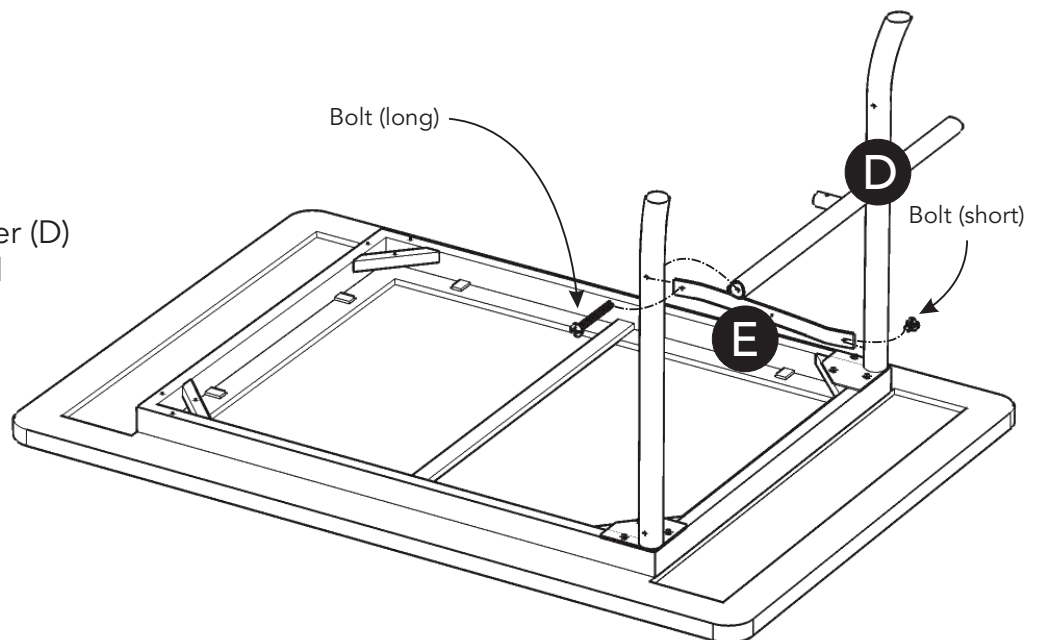


Figure 3

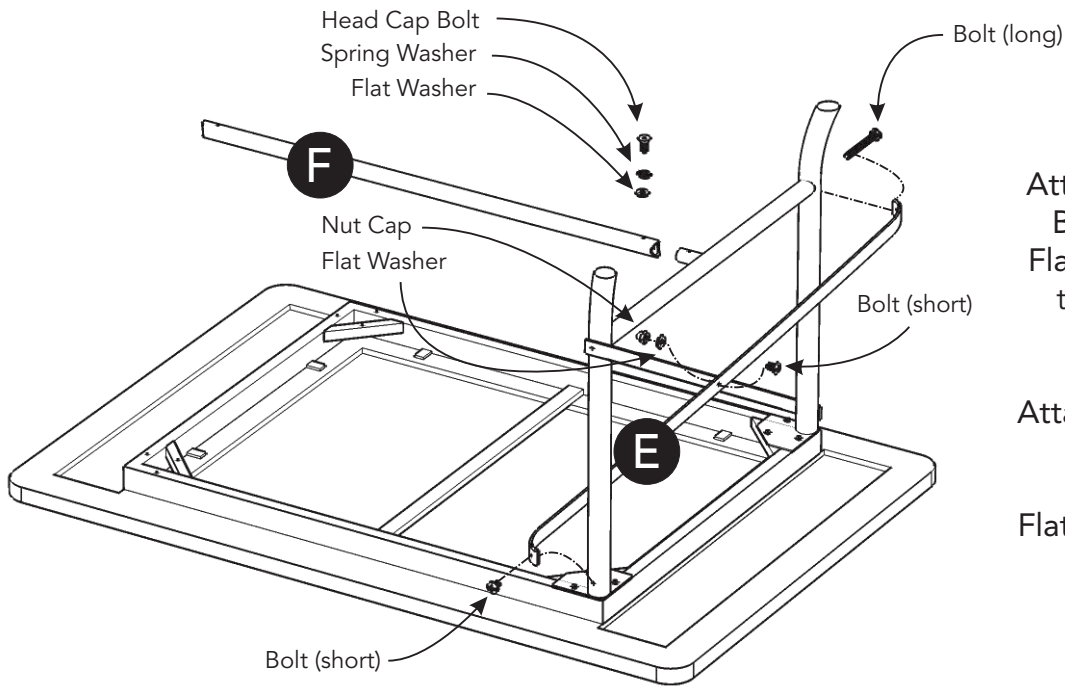
STEP 2

Attach Rail (E) and Stretcher (D) to unit with Bolt (long) and Bolt (short), tightening the bolts only half way. (See Figures 2 and 3)



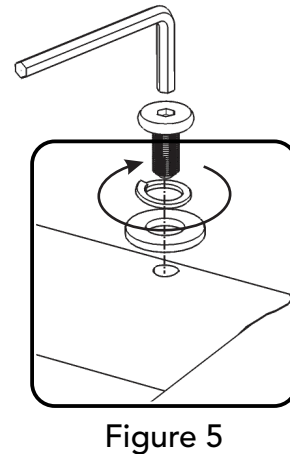
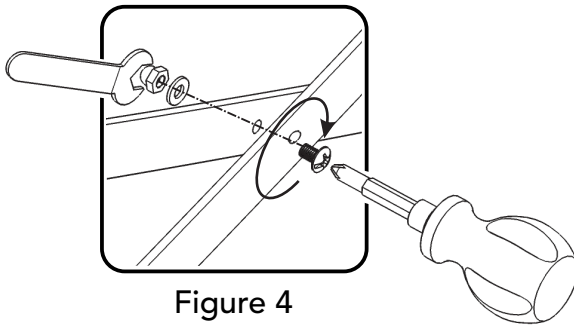
Assembly Instructions 3/4

STEP 3



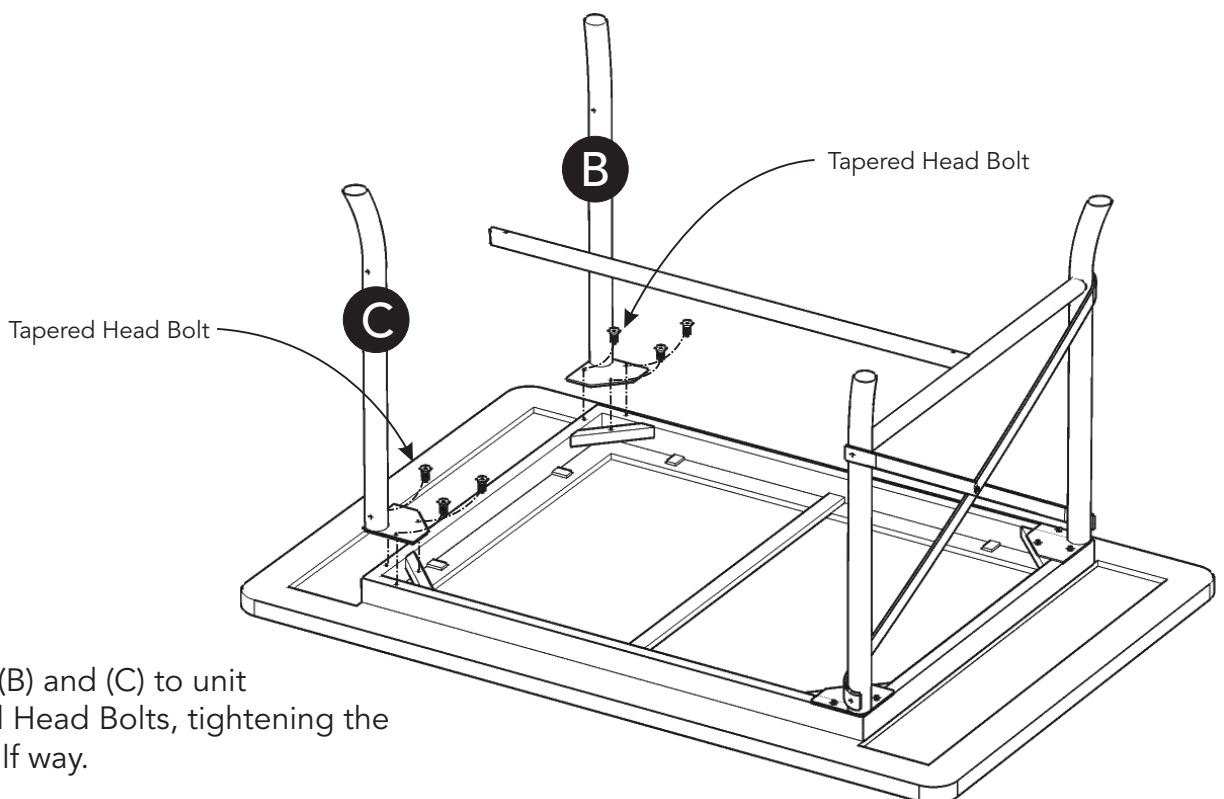
Attach Rail (E) to unit with Bolt (long), Bolts (short), Flat Washer and Nut Cap, tightening the bolts only half way. (See Figure 4)

Attach Stretcher (F) to unit with Head Cap Bolt, Spring Washer and Flat Washer, tightening the bolt only half way. (See Figure 5)



STEP 4

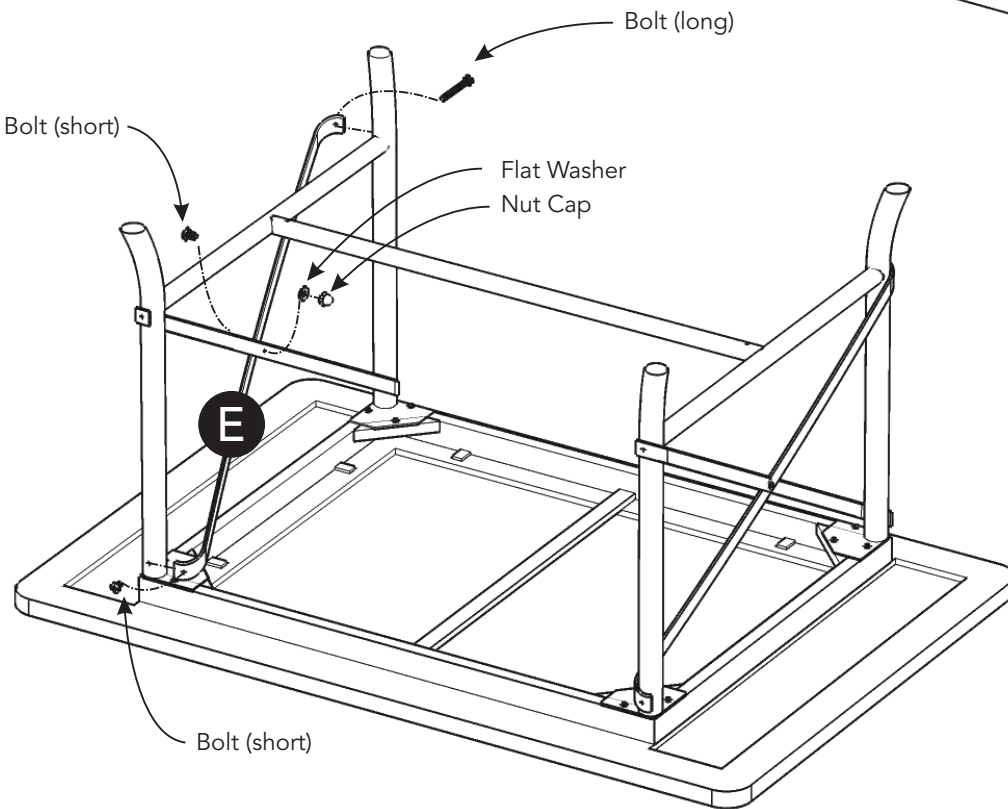
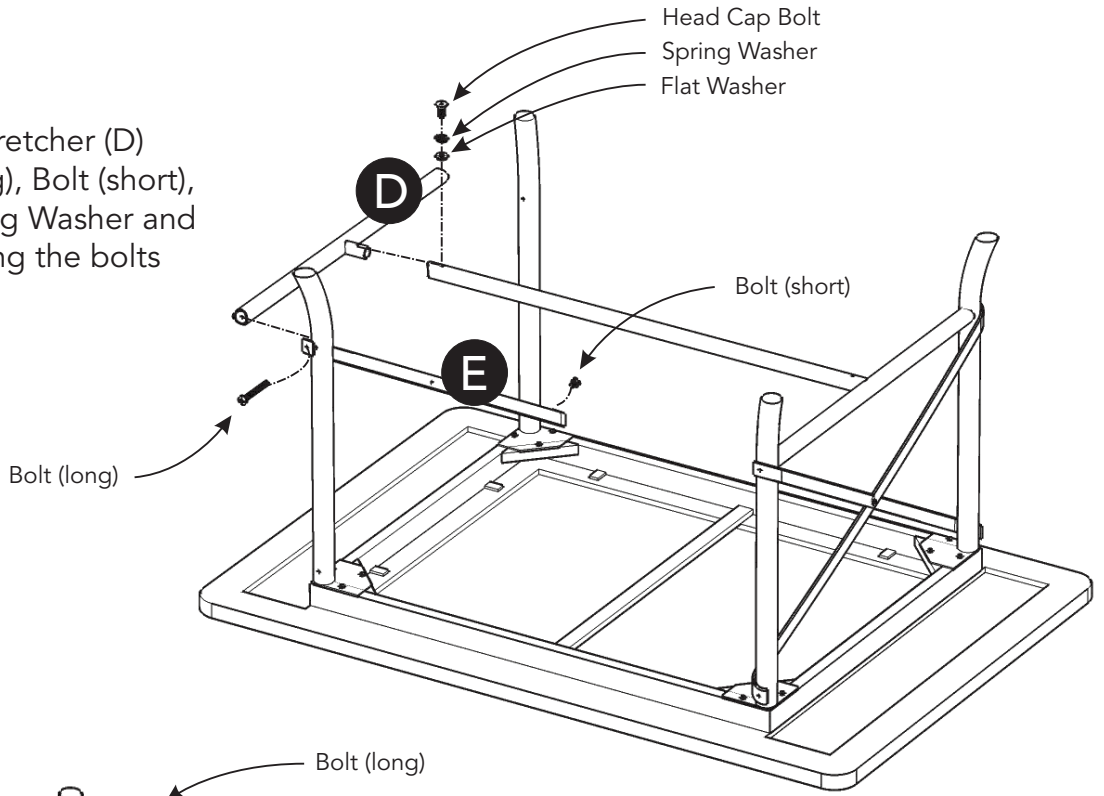
Attach Legs (B) and (C) to unit with Tapered Head Bolts, tightening the bolts only half way.



Assembly Instructions 4/4

STEP 5

Attach Rail (E) and Stretcher (D) to unit with Bolt (long), Bolt (short), Head Cap Bolt, Spring Washer and Flat Washer, tightening the bolts only half way.



STEP 6

Attach Rail (E) to unit with Bolt (long), Bolts (short), Flat Washer and Nut Cap.

Tightening all bolts and nut caps used in all steps.

STEP 7

Turn unit over to its' upright position.

To level the unit, adjust the adjustable levelers on the bottom of the legs. (See Figure 6)

Note: Unit must be level to work properly.

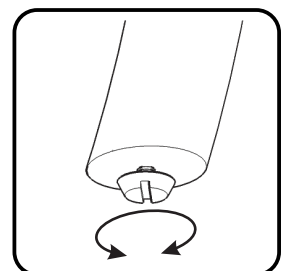


Figure 6

CARE INSTRUCTIONS

NEVER

allow liquids to remain on furniture.
Absorption causes parts to warp
and split and finishes to delaminate.

NEVER

use glass cleaners on
finished furniture. Ammonia
chemically attacks the finish.



Do not use power tools
above 8 volts to assemble.

**PREVENT
CRACKING**



Do not place
in direct sunlight.

**PREVENT
FADING**



Do not write
directly on surface.

**PREVENT
MARKING**



Do not place hot
objects on surface.

**PREVENT
FINISH DAMAGE**



Do not use rubber
based placemats.

**PREVENT
DISCOLORING**



Do not use commercial
waxes and polishes.

**PREVENT
YELLOWING**

CLEAN

with a soft cloth moistened
in lukewarm soap and water.
Buff with a dry clean cloth.



Home Styles will provide replacements free of charge for missing or damaged hardware or parts within 30 days of purchase. Digital images of the defective parts may be required. If the product was not purchased from an authorized retail affiliate, Home Styles is under no obligation to provide replacement parts. Parts are not available for fully assembled items nor are parts available for sale. Replacements for missing or damaged hardware or parts may be requested at:

www.homestyles-furniture.com/customer-service/replacement-parts

Home Styles Customer Service: www.homestyles-furniture.com,
servicedesk@homestyles-furniture.com, 888-680-7460, 877-831-0319