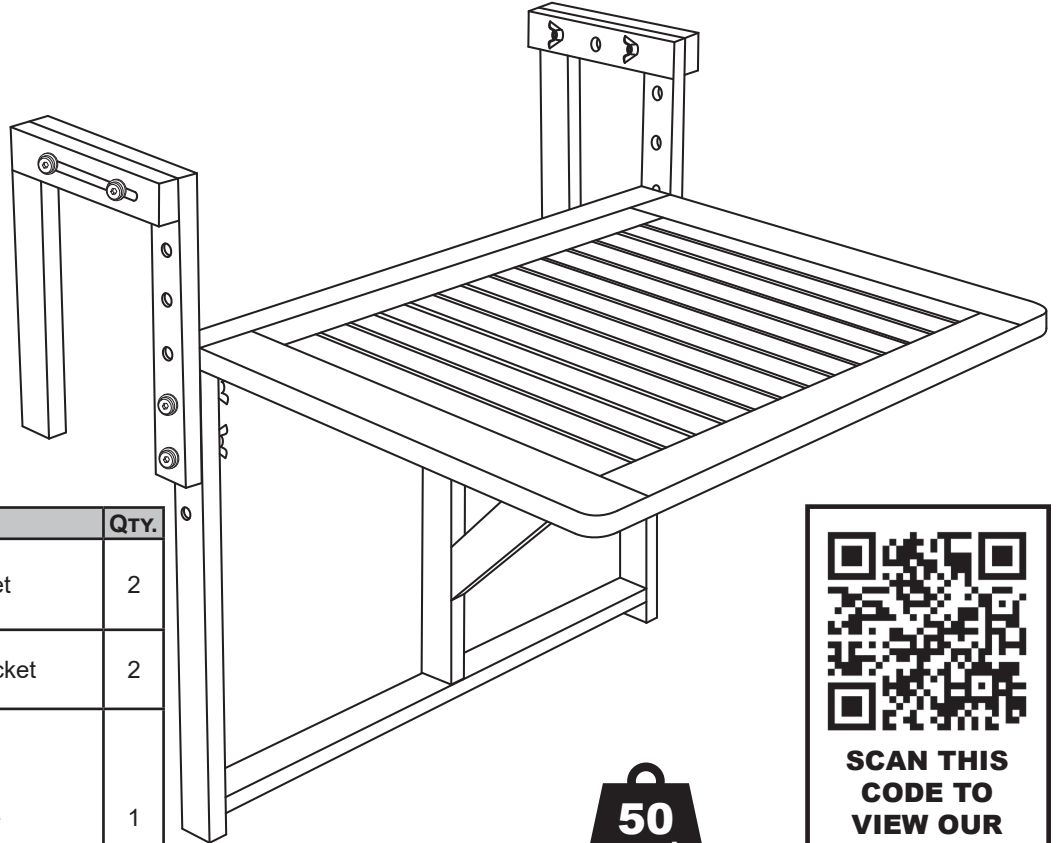
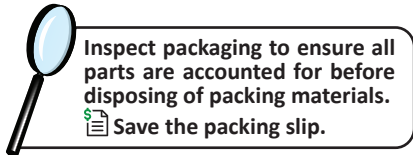
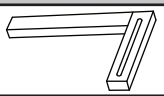
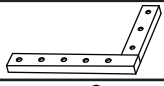
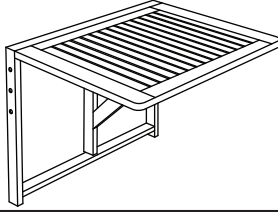






MERANTI WOOD FOLDING BALCONY RAILING TABLE FRN-682

Review all assembly and care information before using this product. Save this manual for future reference.

Assemble components on a soft, clean surface to avoid damaging the finish.



| No. | PARTS | QTY. |
|-----|---|------|
| A |  Depth Bracket | 2 |
| B |  Hanging Bracket | 2 |
| C |  Folding Table | 1 |
| D |  JCBC M6x55mm Bolt | 8 |
| E |  Washer | 16 |
| F |  Wing Nut | 8 |
| G |  Hex Key | 1 |

50
pounds
22.7 kg
Weight Capacity



NOTE: Save the included tools. Wood expands and contracts with changes in temperature and moisture, which may require hardware to be tightened.

⚠ WARNING ⚠

CHOKING HAZARD — This item contains small parts that can be swallowed. Keep children and pets away during assembly.

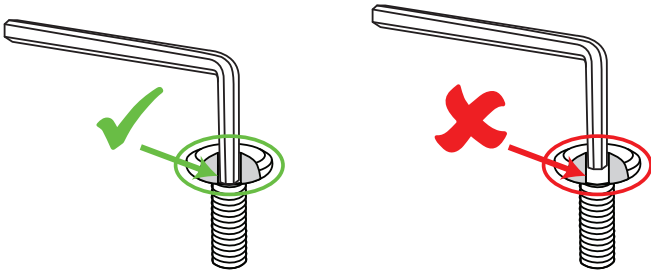
IMPORTANT:

Only mount this unit on straight railing with minimal distance between the handrail and baluster.

Do not install over railing that has a lip or uneven edge.



ASSEMBLY



TIP: Always fully insert the hex key inside the designated notch of the bolt.

If the hex key is not fully inside the notch, the hex key could slip out, causing damage to the bolt head. Repeated hex key slipping will cause the notch to become rounded, making it difficult or impossible to tighten the bolt with the hex key.

STEP 1

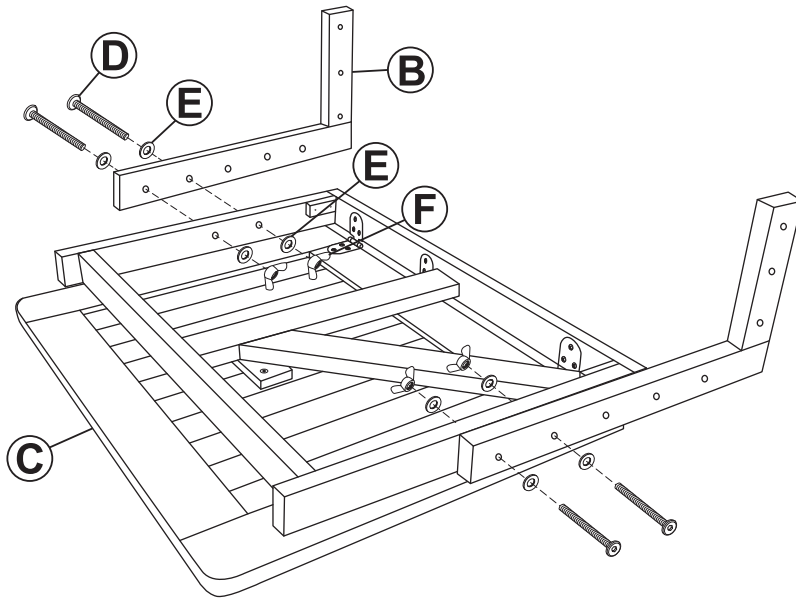
B: 2

C: 1

D: 4

E: 8

F: 4



Lay Folding Table (C) face-down on a soft, clean surface.

Align the bottom mounting holes on the long side of Hanging Bracket (B) with the mounting holes on the folding table and loosely secure using two M6x55mm Bolts (D), four Washers (E), and two Wing Nuts (F), as shown.

Repeat to connect the remaining hanging bracket.

Do not fully tighten hardware until after the table is installed.

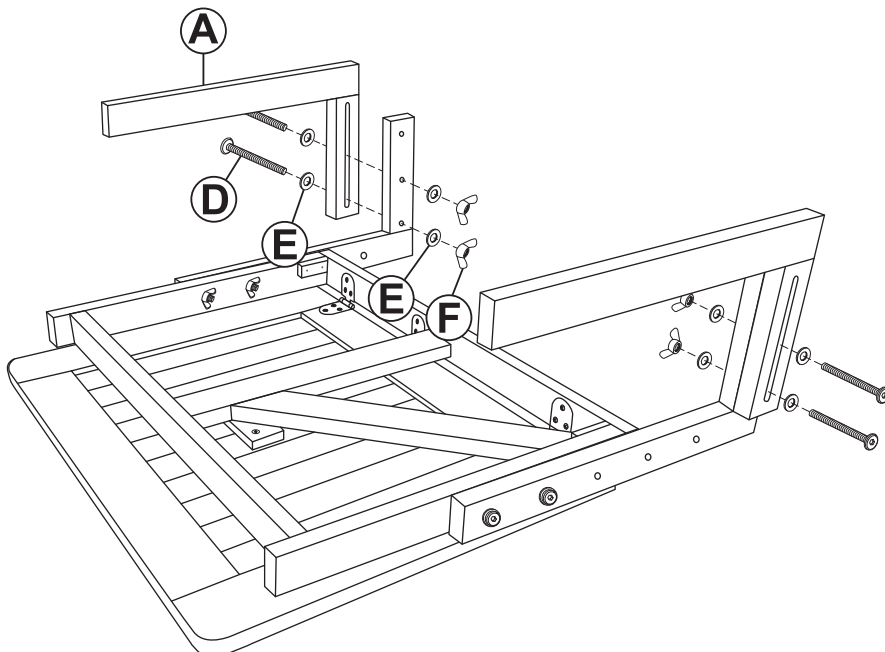
STEP 2

A: 2

D: 4

E: 8

F: 4



Align the mounting slide of Depth Bracket (A) with the hanging bracket and loosely secure using two M6x55mm Bolts (D), four Washers (E), and two Wing Nuts (F) as shown.

Repeat to connect the remaining depth bracket.

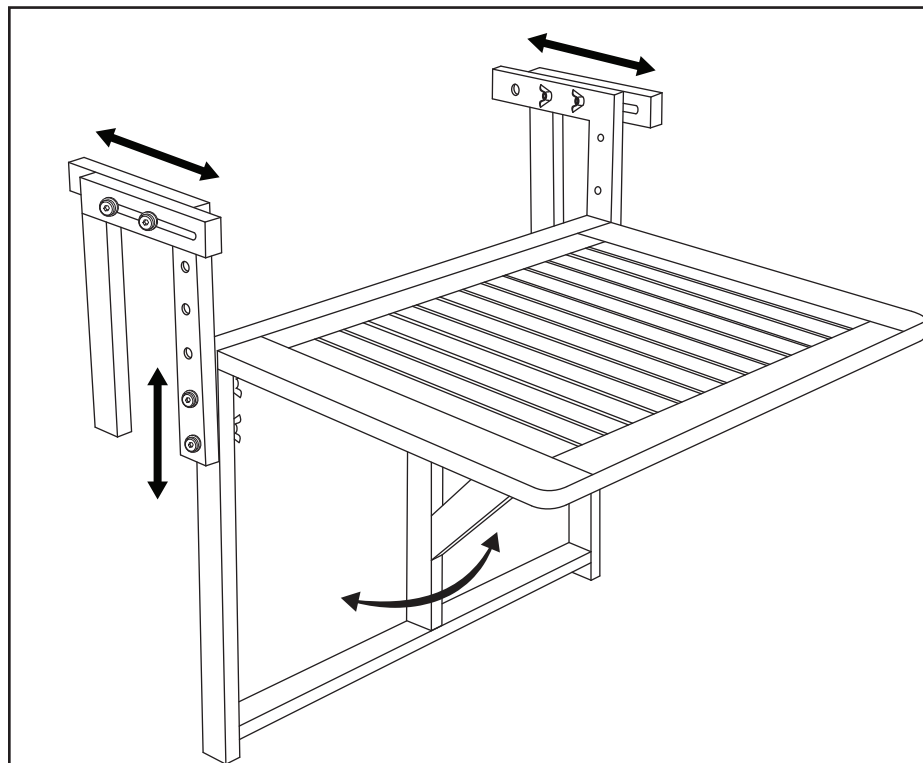
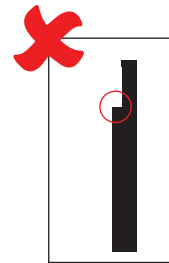
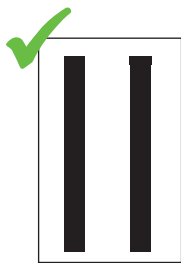
Do not fully tighten hardware until after the table is installed.

INSTALLATION

IMPORTANT:

Only mount this unit on straight railing with minimal distance between the handrail and baluster.

Do not install over railing that has a lip or uneven edge.



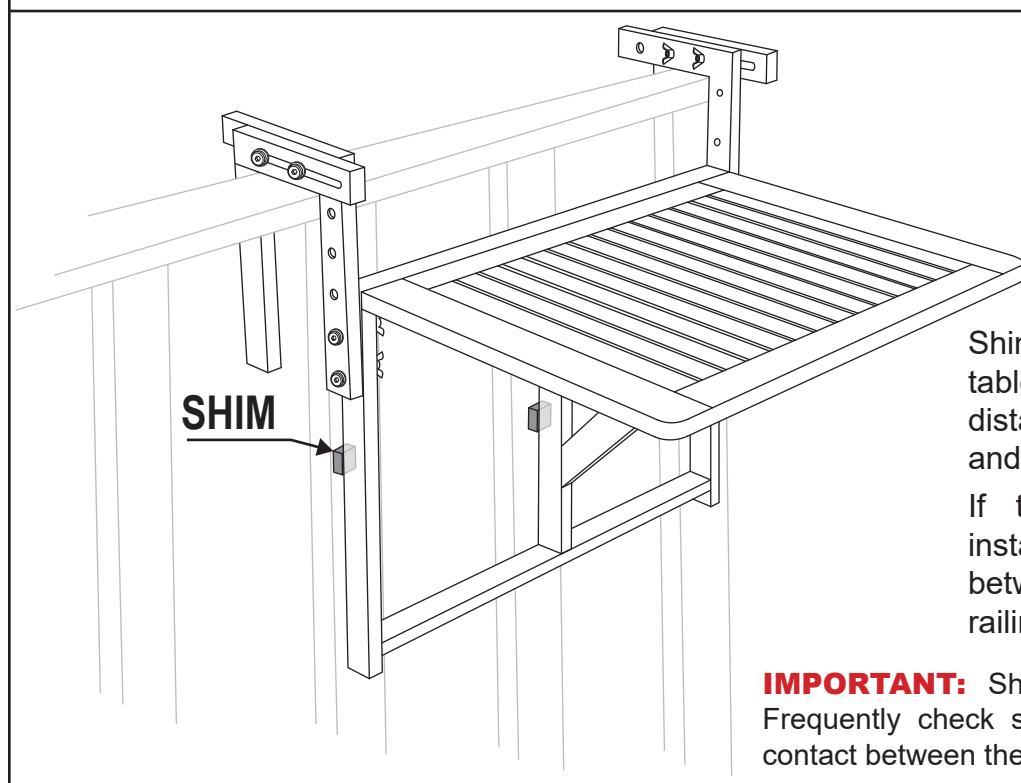
Place the assembled unit over your balcony railing and determine if the table height is to your liking. To raise the tabletop height, remove the unit from your railing and evenly adjust the table to the mounting holes on the vertical side of the hanging brackets.

Once the desired table height is achieved, adjust the depth brackets to fit the depth of your railing.

Fully tighten all hardware.

Gently lift the tabletop and rotate the support bar until it aligns with the notch on the bottom of the table.

NOTE: The support bar rotates 180 degrees; always ensure it is fully inserted into the notch under the table before use.



Shims can be used to help level the table surface on railing with a small distance/gap between the handrail and baluster/spindle.

If the table tilts downward after installation, evenly place the shims between the back of the table and the railing, ensuring full contact.

IMPORTANT: Shims installation is not permanent. Frequently check shims to ensure they remain in full contact between the table and your railing.

Care & Maintenance

SAFE USE: Before use, ensure the tabletop is level and the support bar is fully engaged within the notch under the tabletop. Do not exceed the weight capacity of the tabletop. Do not sit, stand or climb on any part of this unit.

EXPOSURE: Over time, sunlight and weather elements may degrade and change the color of natural wood. Avoid leaving wooden furniture in the rain or high-humidity climates as wood swells and shrinks with moisture and humidity changes. The stress caused by the wood swelling and shrinking can cause glued joints to fail.

INSPECT: Periodically check assembly points and tighten fittings as necessary.

CLEANING: Identify the direction of the woodgrain. Following the direction of the woodgrain, wipe surfaces with a soft, dry cloth. Do not use harsh chemicals, abrasive materials, or a pressure washer to clean.

WINTER CARE & STORAGE: Protect this item from inclement weather, especially ice and snow. Move to a cool, dry indoor location when not in use.

Covering while in storage is recommended to help prevent dust build-up.

MAINTENANCE: If left untreated, the wood may weather. To maintain the appearance, apply a suitable penetrating wood oil (not included) at least once per year or when the wood looks particularly dry.

Before applying a suitable wood oil, clean the unit and bring it into a dry, warm, indoor location. Allow the unit to dry thoroughly before applying oil; drying may take several days. Only apply oil to wooden surfaces. Apply oil as directed by the wood oil manufacturer.

WARNING: THE ONE-YEAR WARRANTY DOES NOT COVER DAMAGES OR DEFECTS CAUSED BY THE APPLICATION OF CHEMICAL TREATMENTS, PROTECTIVE COATINGS, OR CLEANING PRODUCTS.

SAFETY STATEMENTS & WARNINGS

- Do not exceed the weight capacity.
- Do not allow children to set up or use this item.
- Firmly secure all hardware and ensure the support bar is fully engaged before use.
- Inspect hardware often and tighten as necessary.
- Do not put hot items on or near furniture.
- Do not use this item in the proximity of open flame or flammable/combustible chemicals.
- Keep this unit a safe distance from heat sources such as fire pits, patio heaters, and grills.
- Do not use harsh chemicals or abrasive materials to clean this unit.
- This product is for residential use only; institutional or commercial use will void this warranty.

Any modification to the product or failure to follow recommended care will void the product warranty.

If you experience issues with assembly or the product was damaged during shipping, please contact our customer service team through one of the methods mentioned at the top of page 1. Please have the item number and order information ready to expedite response time.

WARNING:

Manufacturer and seller expressly disclaim any and all liability from personal injury, property damage or loss, whether direct or indirect, or incidental, resulting from the incorrect attachment, improper use, inadequate maintenance, or neglect of this product.