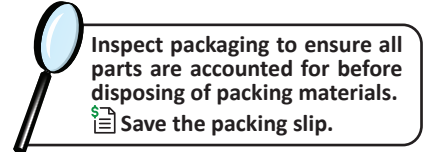
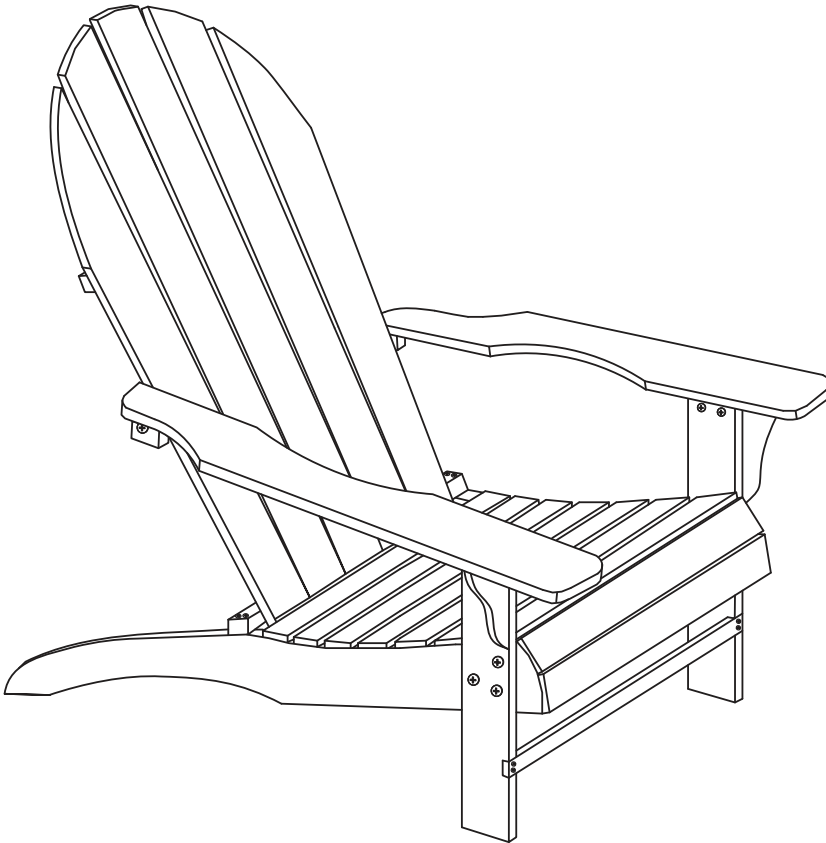
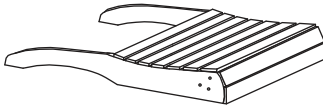

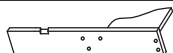
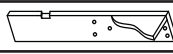




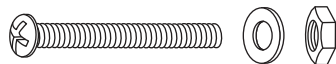

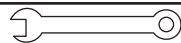


RUSTIC WOODEN ADIRONDACK CHAIR IEO-594

Review all assembly and care information before using this product. Save this manual for future reference.
Assemble components on a soft, clean surface to avoid damaging the finish.



No.	PARTS	QTY.
A	 Seat	1
B	 Backrest	1
C	 Right Leg	1
D	 Left Leg	1
E	 Right Armrest	1
F	 Left Armrest	1
G	 Leg Support	1
H	 Screw	8
I	 50mm Bolt Set	12

TOOLS REQUIRED (not included)	
	Phillips Screwdriver
	10mm Wrench

⚠ WARNING ⚠
CHOKING HAZARD — This item contains small parts that can be swallowed. Keep children and pets away during assembly.



SCAN THIS CODE WITH A SMARTPHONE TO VIEW OUR ASSEMBLY VIDEO



⚠ WARNING:

Manufacturer and seller expressly disclaim any and all liability from personal injury, property damage or loss, whether direct or indirect, or incidental, resulting from the incorrect attachment, improper use, inadequate maintenance, or neglect of this product.

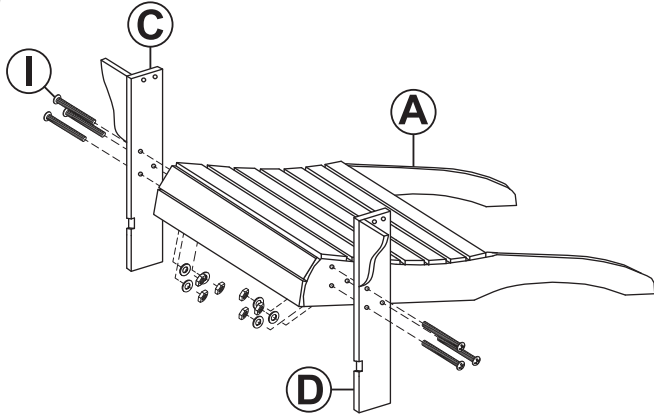
ASSEMBLY

Review all steps and understand assembly before beginning.

Do not fully tighten hardware until all components have been loosely assembled.

STEP 1

A: 1
C: 1
D: 1
I: 6



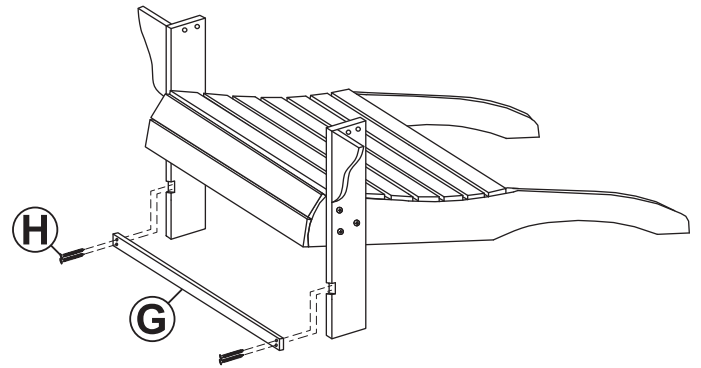
Attach Right Leg (C) to Seat (A) by hand-tightening three Bolt Sets (I).

Attach Left Leg (D) to the seat by hand-tightening three Bolt Sets (I).

Do not fully tighten hardware until Step 4 is complete.

STEP 2

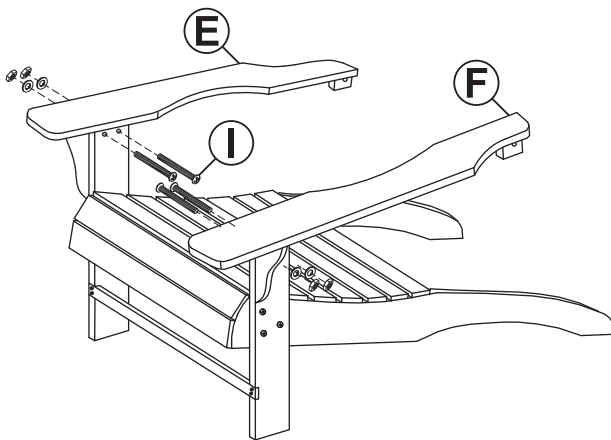
G: 1
H: 4



Secure Leg Support (G) to the front of the legs using four Screws (H).

STEP 3

E: 1
F: 1
I: 4



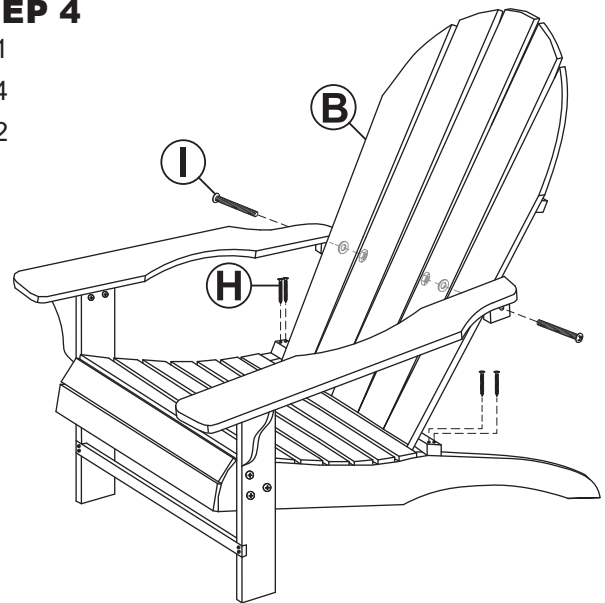
Loosely fasten Right Armrest (E) to the right leg using two Bolt Sets (I).

Loosely fasten Left Armrest (F) to the left leg using two Bolt Sets (I).

Do not fully tighten hardware until Step 4 is complete.

STEP 4

B: 1
H: 4
I: 2



Secure Seat (B) to the back of the armrests using two Bolt Sets (I).

Secure the bottom of the backrest to the seat using two Screws (H).

Finish tightening all hardware.

Care & Maintenance

SAFE USE: For residential use only. Only use on a flat, level surface. Do not stand on the chair. Do not exceed the weight capacity of the chair.

INSPECT: Periodically check hardware and tighten as necessary.

MOVING: Do not drag when moving the unit as doing so will weaken assembly points and could cause breakage.

CLEANING: Follow the woodgrain with a soft brush or cloth to remove dust, dirt, and debris. Do not use chemicals or abrasive materials as they will damage the wood and/or finish.

CARE & STORAGE: Move furniture to an indoor location to protect it from inclement weather. Wood expands when wet and contracts when it dries. Repeated and excessive exposure to moisture, rain, or snow can damage the product. Resulting damage includes, but is not limited to, assembly points becoming loose, wood cracking, mold and mildew growth, and hardware rust.

Covering furniture with a breathable cover helps protect it from the effects of sunlight, inclement weather, dust build-up, and collecting debris.

MAINTENANCE: Over time, the finish may deteriorate. To maintain the integrity of the unit, the wooden surfaces may need to be refinished. Visit a professional at your local hardware store to determine a suitable medium for refinishing fir wood.

Clean the unit and bring it into a dry, warm, indoor location. Allow the unit to dry thoroughly before refinishing; drying may take several days. If necessary, lightly sand wooden surfaces. Apply the finish to wooden surfaces as directed by the manufacturer. Take care not to apply the finish to the hardware.

WARNING: THE ONE-YEAR WARRANTY DOES NOT COVER DAMAGES OR DEFECTS CAUSED BY THE APPLICATION OF CHEMICAL TREATMENTS, PROTECTIVE COATINGS, TOUCH-UP PAINT, OR CLEANING PRODUCTS.

SAFETY STATEMENTS & WARNINGS

- Do not exceed the weight capacity.
- Never stand on the chair.
- Inspect hardware often and tighten loose hardware before use.
- Do not put hot items on or near furniture.
- Keep furniture a safe distance from heat sources such as, but not limited to, fire pits, patio heaters, and grills.
- Do not allow children to use this product without adult supervision.
- Do not use harsh chemicals or abrasive materials to clean the furniture.

Any modification to the product or failure to follow recommended care will void the product warranty.

If you experience issues with assembly or the product was damaged during shipping, please contact our customer service team through one of the methods mentioned at the top of page 1.

Please have the item number and order information ready to expedite response time.

WARNING:

Manufacturer and seller expressly disclaim any and all liability from personal injury, property damage or loss, whether direct or indirect, or incidental, resulting from the incorrect attachment, improper use, inadequate maintenance, or neglect of this product.