

ASSEMBLY INSTRUCTION

ITEM: 7050-75203B-02 Round Pedestal Dining Table Base
 7050-75203B-89 Round Pedestal Dining Table Base
 7050-75203T-02 Round Pedestal Table Top w/1-22in leaf
 7050-75203T-89 Round Pedestal Table Top w/1-22in leaf

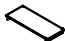


Thank you for purchasing this quality product. Be sure to unpack carefully looking for small parts which may have come loose during shipment.

Read all instruction and study the drawing carefully before starting the assembly process.

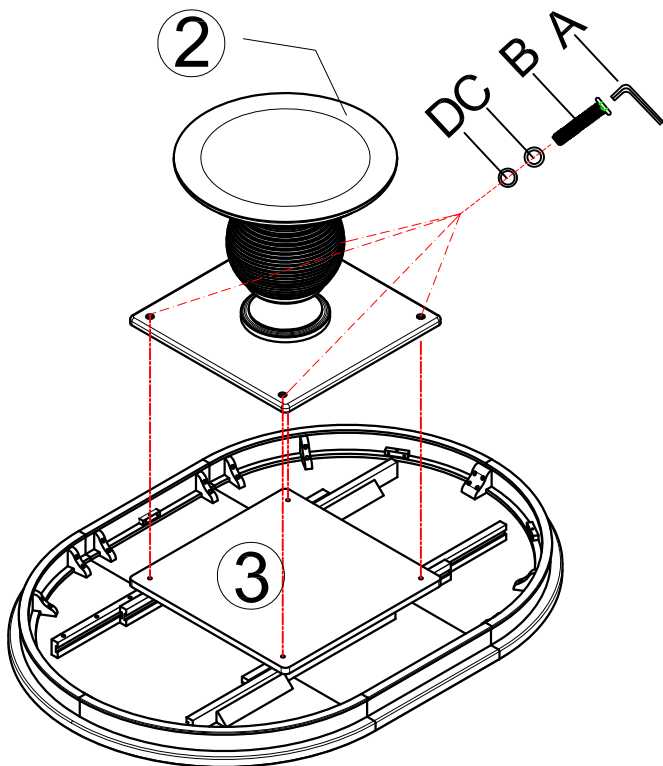
HARDWARE PACK

NO.	DRAWING	DESCRIPTION	SIZE	Q'TY
A		Allen Wrench	5mm	1pc
B		Bolt	5/16"	4pcs
C		Lock Washer	5/16"	4pcs
D		Flat Washer	5/16"	4pcs

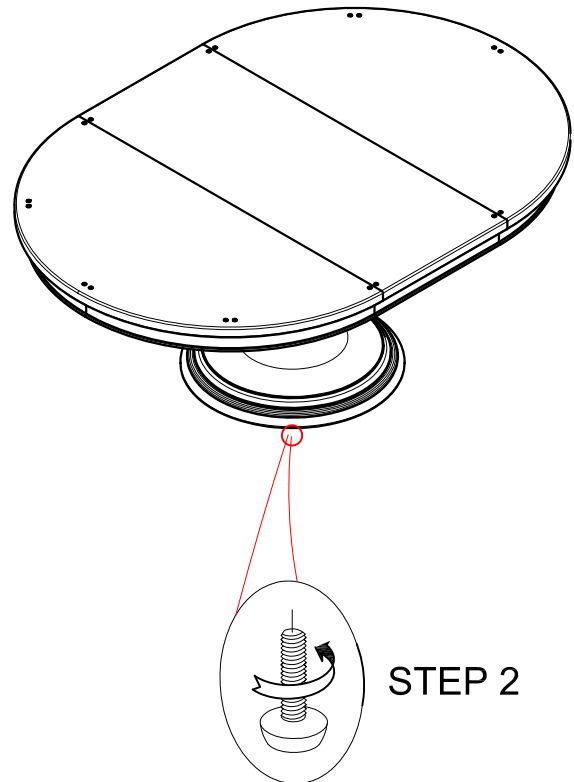
PART LIST

NO.	DRAWING	DESCRIPTION	Q'TY
①		Leaf	1PC
②		Base	1PC
③		Top	1PC

STEP 1



Attach Base (2) to table top (3).



STEP 2

Adjust leveler if needed to level table on uneven floor.

ASSEMBLY INSTRUCTION

ITEM: 7050-75203B-02 Round Pedestal Dining Table Base
7050-75203B-89 Round Pedestal Dining Table Base
7050-75203T-02 Round Pedestal Table Top w/1-22in leaf
7050-75203T-89 Round Pedestal Table Top w/1-22in leaf

Diagram 1

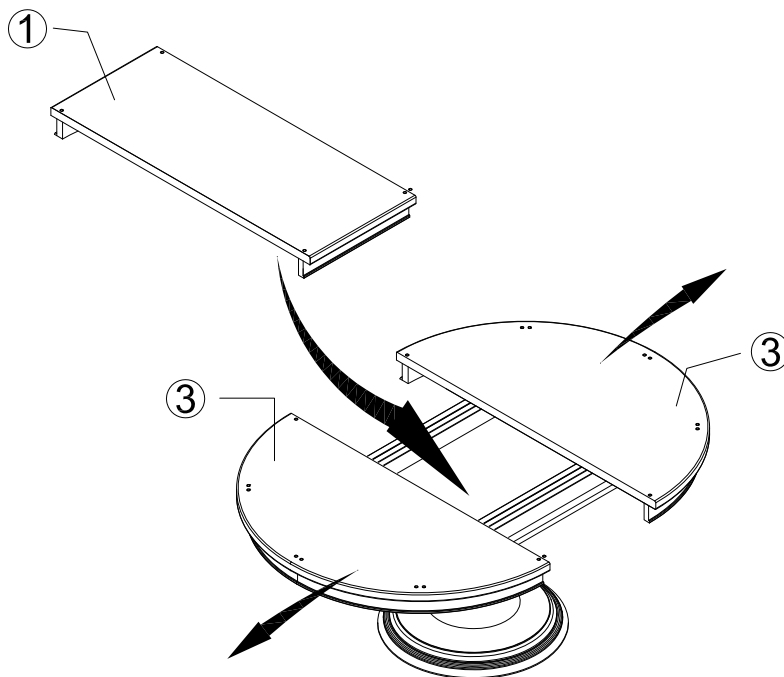
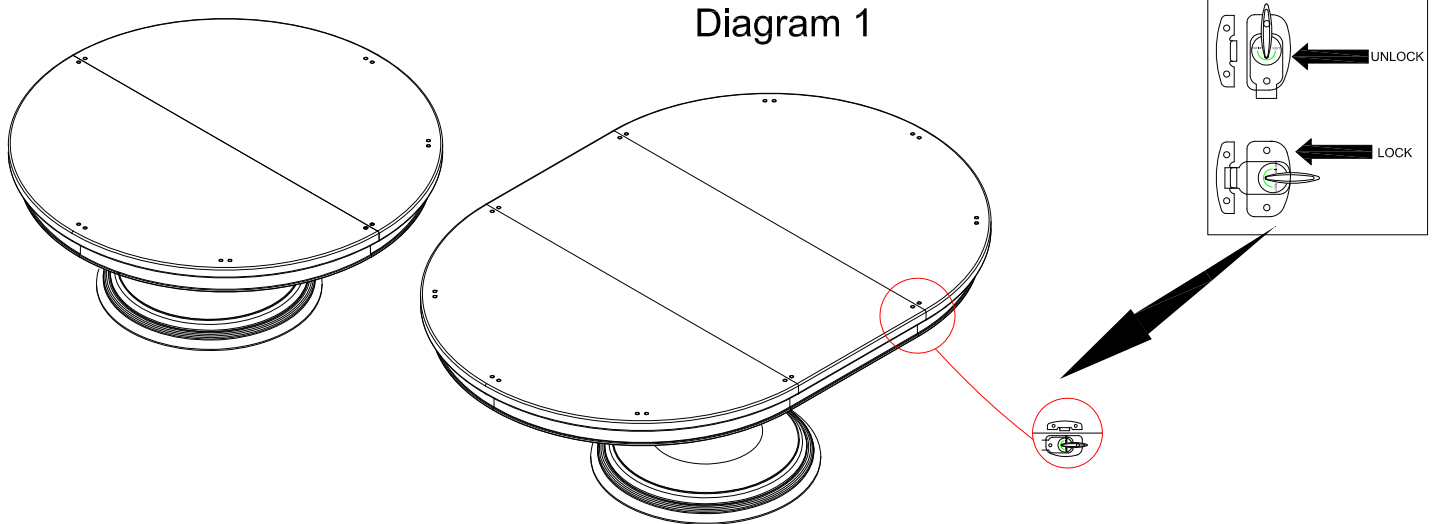


Diagram 2

Instruction for table leaves:

1. There are latches at the bottom of table top, unlock the latches as shown in Diagram 1 above.
2. Pull out table top as the arrow direction shown in Diagram 2.
3. Place table leaf (1) between table tops and push table tops together.
4. Lock the latches (See Diagram 1).
5. Take opposite actions to remove table leaf.