

HARRIS TWO IN ONE CEILING LGT ASSEMBLY/INSTALLATION INSTRUCTIONS

Please read carefully and save these instructions, as you may need them at a later date.

CAUTION

Turn off the main power at the circuit breaker before installing the fixture, in order to prevent possible shock.

GENERAL

All electrical connections must be in accordance with local and National Electrical Code (N.E.C.) standards. If you are unfamiliar with proper electrical wiring connections obtain the services of a qualified electrician. Remove the fixture and the mounting package from the box and make sure that no parts are missing by referencing the illustrations on the installation instructions.

Phillips Screwdriver

TOOLS REQUIRED

ASSEMBLY AND INSTALLATION

Turn off the power at fuse or circuit breaker.

There are two options for you to install the fixture: Semi-flush mounted or ceiling mounted.

Option 1– Semi-flush mounted installation, refer to Figure 1:

1. Remove the FRAME LOCK BALL(s) to separate the FRAME from the FIXTURE PAN.
2. Thread NIPPLE securely onto the COUPLING. Slide TUBE, TUBE COVER, CANOPY, METAL WASHER and VIBRATION PROOF WASHER down along wires and secure them with HEX NUT. Carefully pull excess wires through the TUBE.
3. Using 2 JUNCTION BOX SCREWS, securely fasten the CROSSBAR to the JUNCTION BOX.
4. Make the wiring connection: Connect FIXTURE GROUND WIRE to SUPPLY GROUND WIRE with a wire nut, Attach them to the CROSSBAR with the GREEN GROUND SCREW. Connect the BLACK SUPPLY WIRE to the BLACK FIXTURE WIRE and WHITE SUPPLY WIRE to the WHITE FIXTURE WIRE with WIRE NUTS.
5. Lift up the fixture assembly over the CROSSBAR and secure it with CANOPY LOCK BALL.
6. Install LIGHT BULB(S) (Sold separately) referring to fixture markings or labels for maximum wattage.
7. Locate the GLASS SHADE into the FRAME and secure it with GLASS SHADE CLIP(s).
8. Carefully lift up the FRAME. Align and pass FRAME SCREW(S) through the hole(s) of the FRAME and secure them with FRAME LOCK BALL(s).

Option 2–Flush mounted installation, refer to Figure 2:

1. Remove the FRAME LOCK BALL(s) to separate the FRAME from the FIXTURE PAN.
2. Remove the NIPPLE, TUBE, TUBE COVER, CANOPY, METAL WASHER, VIBRATION PROOF WASHER and HEX NUT. Cut off excess wires if needed.
3. Using 2 JUNCTION BOX SCREWS, securely fasten the CROSSBAR to the JUNCTION BOX.
4. Thread the FIXTURE SCREWS two full turns into the appropriate threaded holes in the CROSSBAR. (Check the CROSSBAR against the fixture keyhole slots to ensure proper fit.)
5. Make the wiring connection: Connect FIXTURE GROUND WIRE to SUPPLY GROUND WIRE with a wire nut, Attach them to the CROSSBAR with the GREEN GROUND SCREW. Connect the BLACK SUPPLY WIRE to the BLACK FIXTURE WIRE and WHITE SUPPLY WIRE to the WHITE FIXTURE WIRE with WIRE NUTS.
6. Lift the FIXTURE PAN over the JUNCTION BOX, positioning the FIXTURE SCREW heads through the large openings of the keyhole slots. Rotate the FIXTURE PAN until the FIXTURE SCREW heads are seated at the small ends of the keyhole slots. Secure them with a screwdriver.
7. Install LIGHT BULB(S) (Sold separately) referring to fixture markings or labels for maximum wattage.
8. Locate the GLASS SHADE into the FRAME and secure it with GLASS SHADE CLIP(s).
9. Carefully lift up the FRAME. Align and pass FRAME SCREW(S) through the hole(s) of the FRAME and secure them with FRAME LOCK BALL(s).

Turn on the power at fuse or circuit breaker.

FIGURE 1

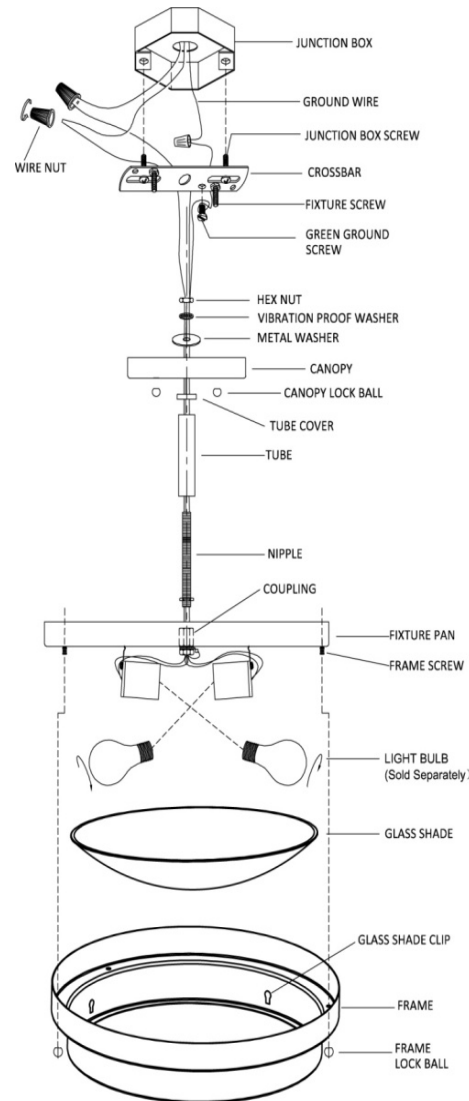
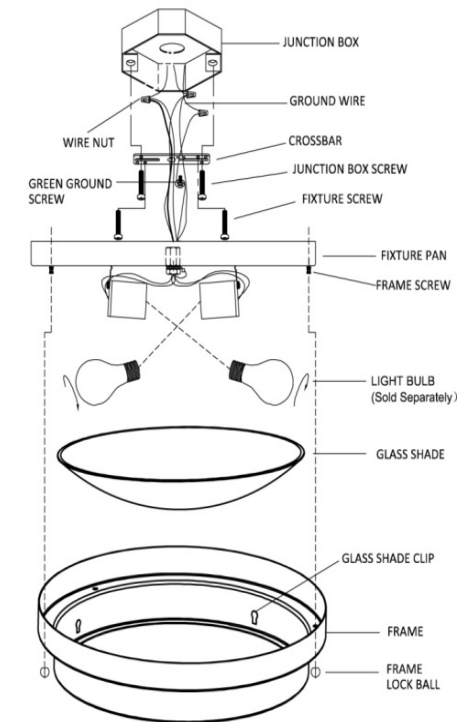


FIGURE 2



#588475

**IF IN DOUBT ABOUT ELECTRICAL INSTALLATION,
CONSULT A LICENSED ELECTRICIAN.**

Customer Service: 1-800-558-8700