

# 88 5523 89 Bar Stool

## IMPORTANT NOTE

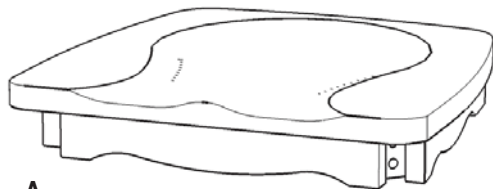
Carefully remove all the parts from the carton and put them individually on a soft cloth to prevent scratches or other damages occurring to the parts.

We have taken great care in the design of this product and request that you carefully and strictly follow our assembly instructions to ensure a completed product as it was designed.

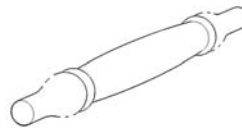
Home  
Styles



## Part List



**A.**  
**Seat**  
1 pc.



**B.**  
**Side Stretcher**  
2 pcs.



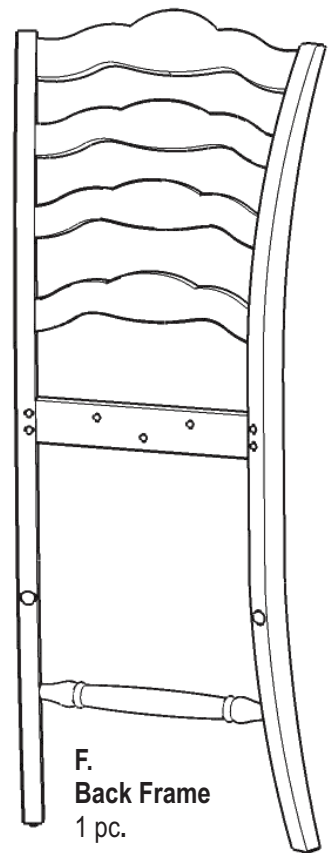
**C.**  
**Front Stretcher**  
1 pc.



**D.**  
**Leg**  
1 pc.



**E.**  
**Leg**  
1 pc.



**F.**  
**Back Frame**  
1 pc.

## Hardware List



**Hex Wrench**  
1 pc.



**Small Hex Wrench**  
1 pc.



**M4x40 Wood Screw**  
6 pcs.(+1 extra)



**M6x70 Head Cap Bolt (long)**  
4 pcs.(+1 extra)



**M6x40 Head Cap Bolt (short)**  
3 pcs.(+1 extra)



**M6x50 Head Cap Bolt**  
4 pcs.(+1 extra)



**Flat Washer**  
11 pcs.(+1 extra)



**Spring Washer**  
11 pcs.(+1 extra)

**Tools required for assembly:** Phillips screwdriver

**Home Styles Consumer Assistance :** [www.homestyles-furniture.com](http://www.homestyles-furniture.com),  
[servicedesk@homestyles-furniture.com](mailto:servicedesk@homestyles-furniture.com), 888-680-7460, 877-831-0319

# Assembly Instructions 2/2

## IMPORTANT

\* Do not tighten up all the screws until each part is properly assembled.

\* You should keep the Hex Wrench in a safe place as you may need to tighten up the Head Cap Bolts in the future.

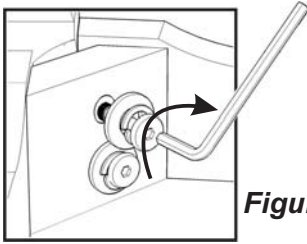


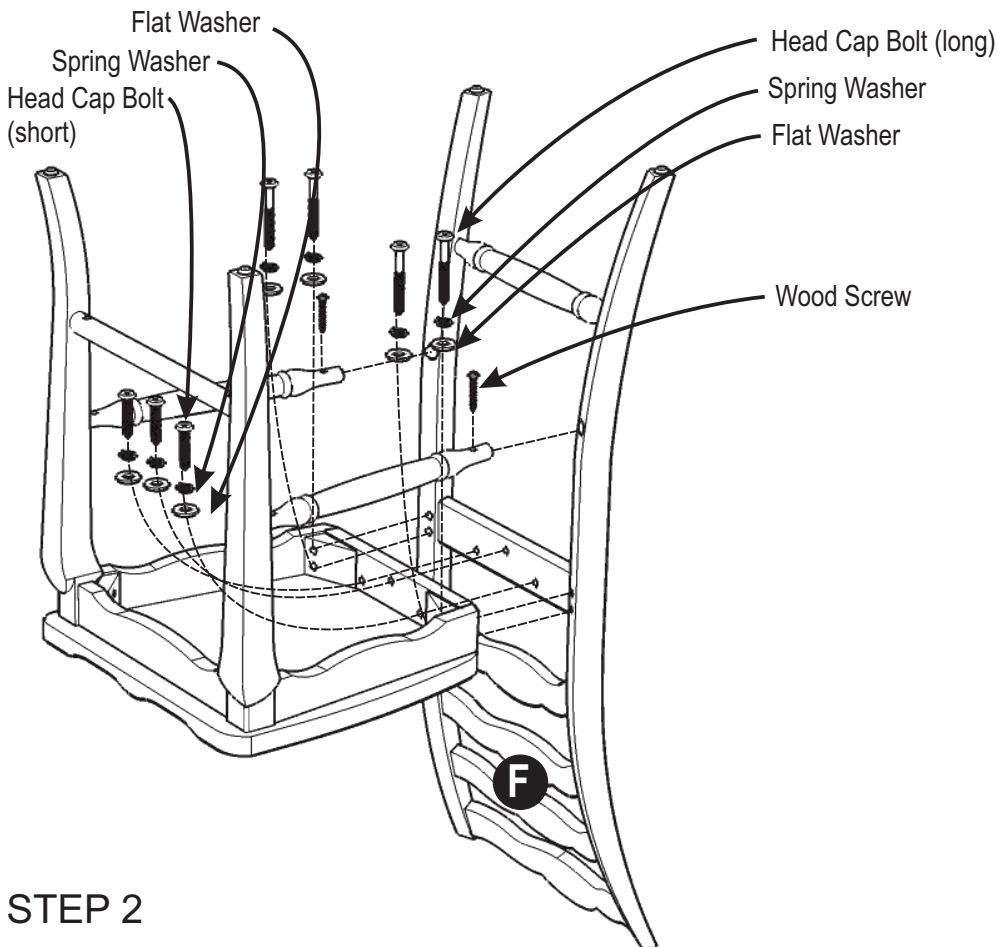
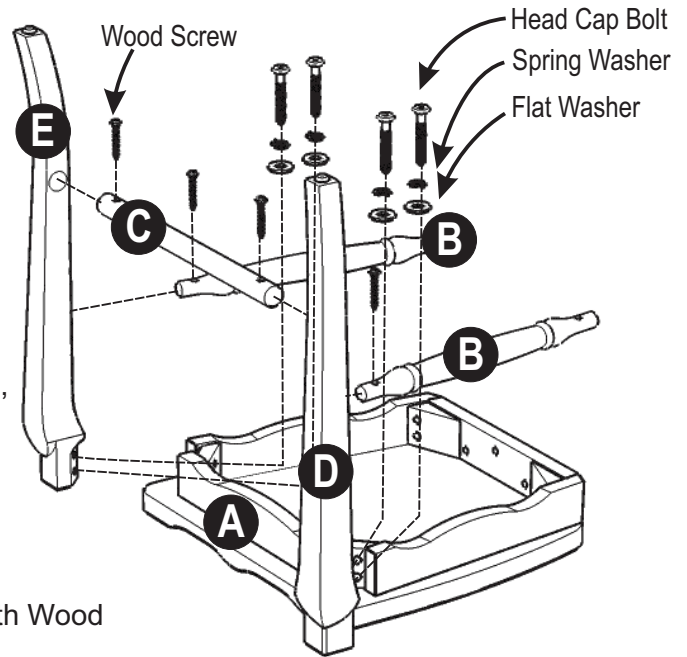
Figure 1

## STEP 1

Attach Leg (D) and (E) to Seat (A) with Flat Washers, Spring Washers and Head Cap Bolts. Tighten Head Cap Bolts only half way. (see Figure 1)

Attach Front Stretcher (C) to the unit with Wood Screws. (see Figure 2)

Attach Side Stretchers (B) to Leg (D) and (E) Side with Wood Screws. (see Figure 3)



## STEP 2

Attach Back Frame (F) to the unit with Flat Washers, Spring Washers, Head Cap Bolts (short), Head Cap Bolts (long) and Wood Screws. (See Figure 4), (See Figure 5)

Tighten up all Head Cap Bolts.

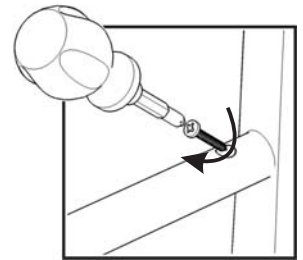


Figure 2

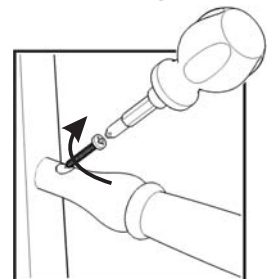


Figure 3

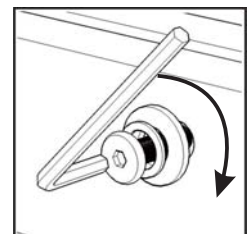


Figure 4

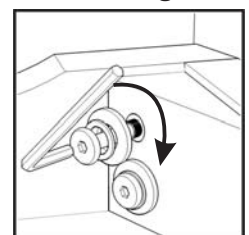


Figure 5