

Cover Caddy U-Mount

Step 1. Lay the BASE PLATE down on the floor in front of you with the counter sunk holes on the bottom. Using the included ALLEN HEAD SCREWS, WASHERS, and NUTS, attach the SUPPORT LEGS to the BASE PLATE. SEE FIGURE 1.

Step 2. Making sure that the spa is empty, slide the BASE PLATE underneath the center of the back of the spa cabinet. NOTE: This will be the side the spa cover will be stored behind. SEE FIGURE 2.

Step 3. Slide the open supports of the MAIN UNIT over the SUPPORT LEGS. Next, loosely thread the ADJUSTMENT SCREWS through the WASHER into the holes in the SUPPORT LEGS. Adjust the height of the MAIN UNIT (see figure 4.) The MAIN UNIT will be held in place by tightening the ADJUSTMENT SCREWS to pinch the washer against MAIN UNIT. SEE FIGURE 3.

Step 4. Attach the Left and Right U-ARMS to the open tubes of the MAIN UNIT using the spring buttons (already attached.) Swing the U-ARMS up so they are parallel with the ground and using the ADJUSTMENT SCREWS, adjust the height of the MAIN UNIT so that the U-ARMS are level with the top of the spa without the cover. SEE FIGURE 4. NOTE: IF YOUR SPA COVER IS TOO THICK WHEN FOLDED TO FIT WITHIN THE U-ARMS, USE THE INCLUDED EXTENSION PIECE TO WIDEN THE ARMS.

Step 5. Attach the enclosed BALL STUDS and LOCK NUTS to the TAB and the FIN located on the MAIN UNIT. Attach the SHOCK by pushing the female ends of each side over the BALL STUDS until they click into place. SEE FIGURE 5.

NOTE: A CABINET MOUNT CAN BE USED BY SKIPPING STEPS 1-3. ADHERE THE MAIN UNIT TO THE CABINET ITSELF USING THE 4 PRE DRILLED HOLES AND LAG SCREWS.

Figure 1

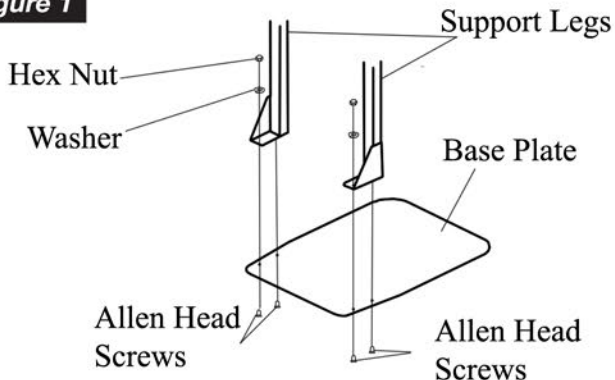


Figure 2

Base Plate with Support Legs centered underneath spa cabinet.

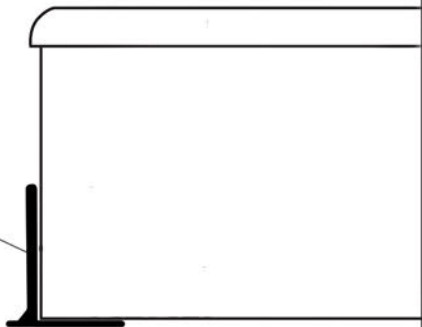


Figure 3

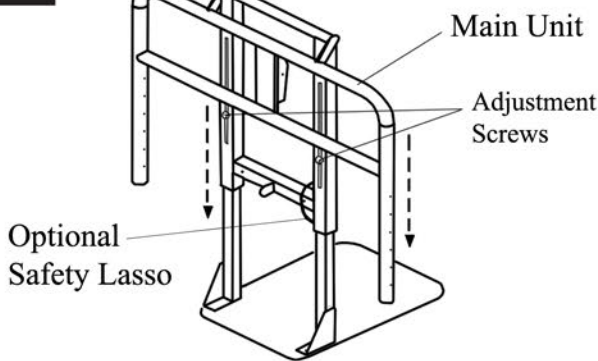


Figure 4

U-Arms Should be level with the top of the spa with no cover.

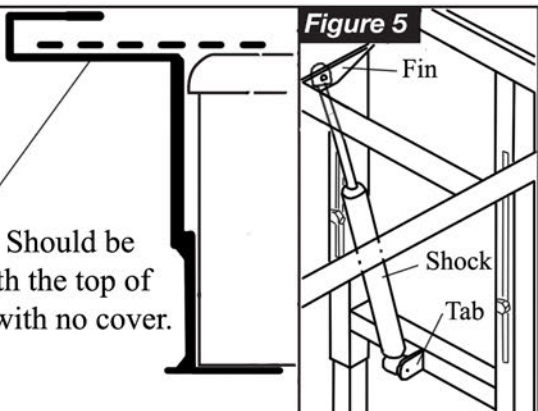
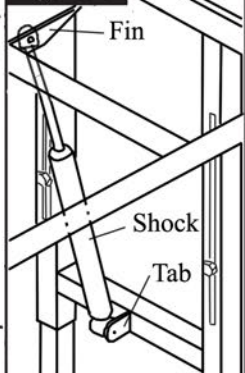
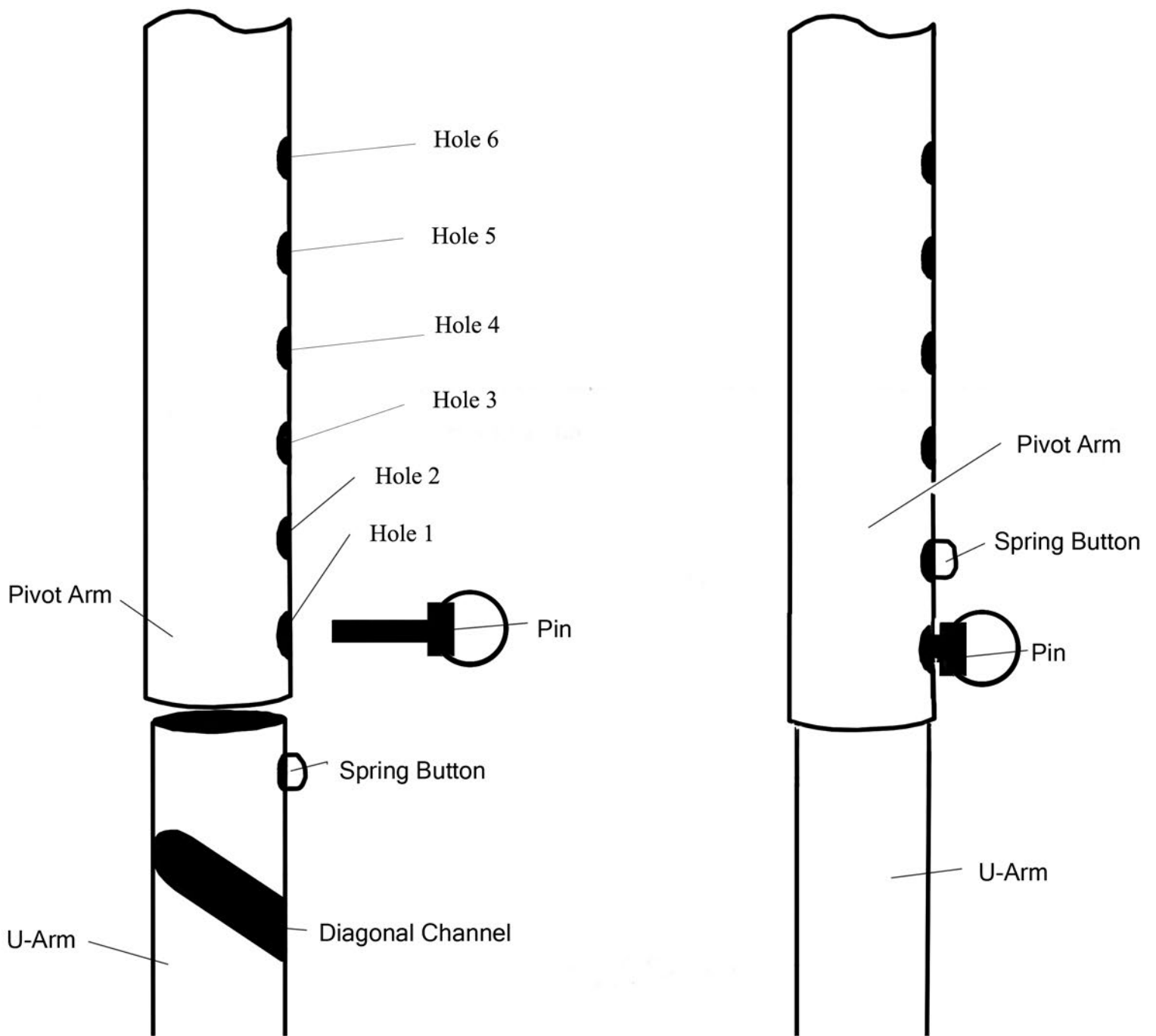


Figure 5



CAUTION!

When using the cabinet mount method, it is recommended that you use wooden supports behind the cabinet. Warranty will not cover damage due to a non reinforced spa cabinet.



**** The PIN should be pushed through the hole directly underneath the SPRING BUTTON and go through the DIAGONAL CHANNEL on the U-ARM. For example, if your SPRING BUTTON was showing through HOLE#5, your PIN would push through HOLE#4. The Figure on the right is an example of the set up that would bring the spa cover as close to the ground as possible.**

DON'T CONFUSE YOUR BALL STUDS AND PINS

