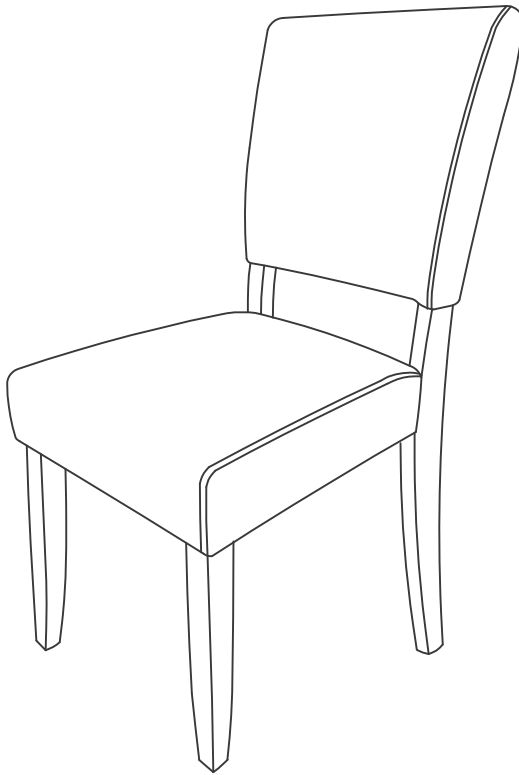


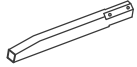






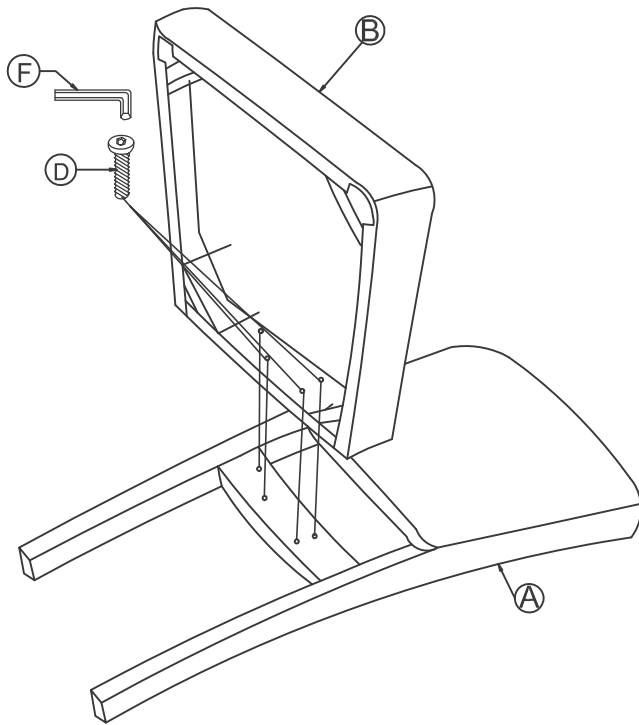
Assembly Instructions, #214452 Wood Upholstered Back Dining Chair



A: Chair Back	
B: Seat Pad	
C: (2) Legs	
D: (4) AllenBolts 1/4' x 40	
E: (4) AllenBolts 1/4' x 60	
F: Allen Wrench	
G: (4) Shoes	

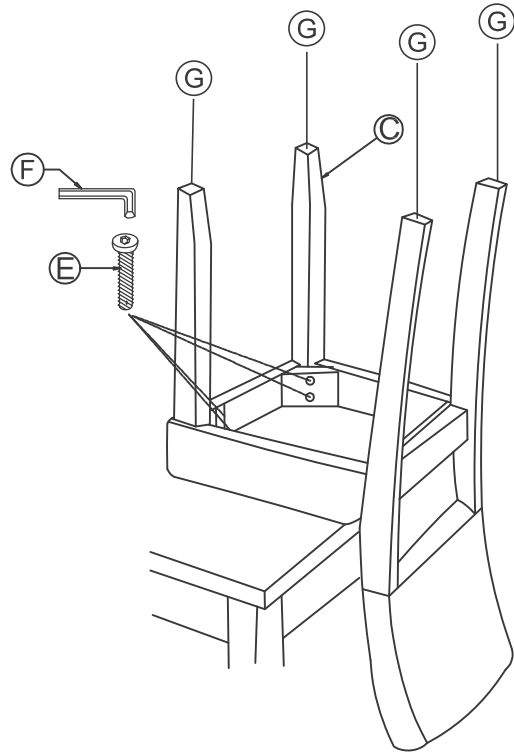
Step 1

Fasten the seat frame onto chair back with four allen bolts (D)



Step 2

Place the chair assembly upside down on a table. Attaching two front legs and fasten with four allen bolts (E) Do not tighten bolts.



Step 3

Place the chair right side up on an even surface. Now tighten all bolts when all legs are properly leveled.

