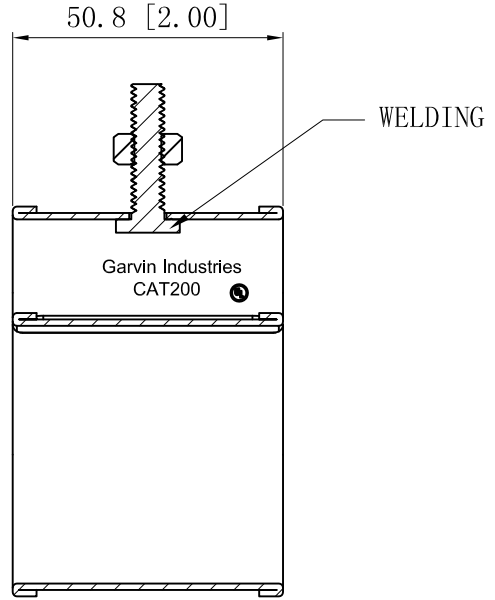
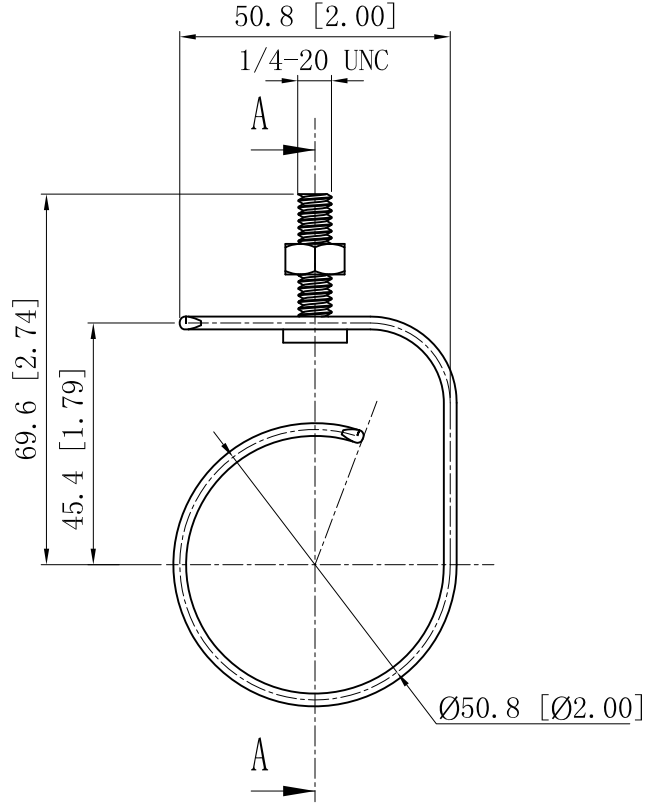
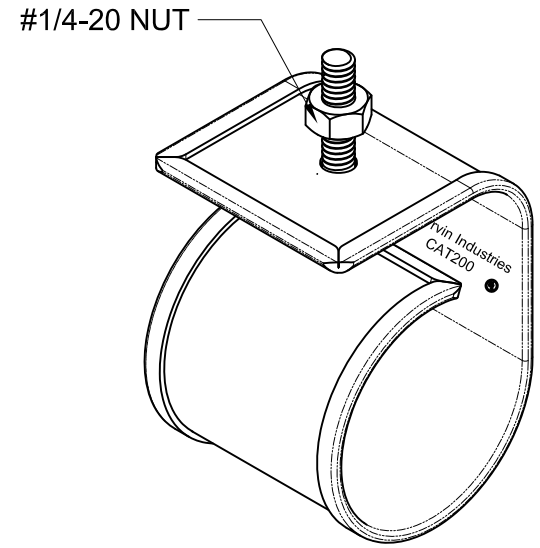


SIDES	BOTTOM
1 PCS #1/4"-20 Hex Nut Installed	
Material:Steel-0.047"-Galvanized Steel	



CUTAWAY VIEW A-A



This data sheet is for reference only .GARVIN INDUSTRIES reserves the right to make changes to the design without prior notice.

DESCRIPTION
TRADE REFERENCE TERMS

STANDARD PACKING	GARVIN INDUSTRIES		
50 pcs			
TITLE	CAT WIRE RINGS		
SIZE	DWG NO.	REV	
A4	CAT200	D	
DATA SHEET			
www.garvinindustries.com			