

# KALLISTA®

## For Town by KALLISTA Pressure Balance Trim, Cross Handle P22715-XX

### Features

- High-quality solid-brass construction for durability and reliability
- Required rough-in sold separately
- Maintains water temperature within +/-3 degrees Fahrenheit
- Features a high-temperature-limit stop to help prevent scalding

### Required Products/Accessories

P19310-00 Pressure Balance Rough-In

or

P19310-WS Pressure Balance Rough-In Valve With Stops

or

P29306-WS High Flow Pressure Balance Rough-In Assembly

### Recommended Products/Accessories

P22713-CR Volume Control Trim, Cross Handle

P21425-MB Traditional handshower with hose

P21540-G Air-Induction ECO Rain Showerhead

P22762-XX Thermostatic Trim, Cross Handle



**ADA**

### Codes/Standards

ADA

### KALLISTA® Five-Year Limited Warranty

See website for detailed warranty information.

### Available Colors/Finishes

*Color tiles intended for reference only.*

Color	Code	Description
	AD	Nickel Silver
	CP	Polished Chrome

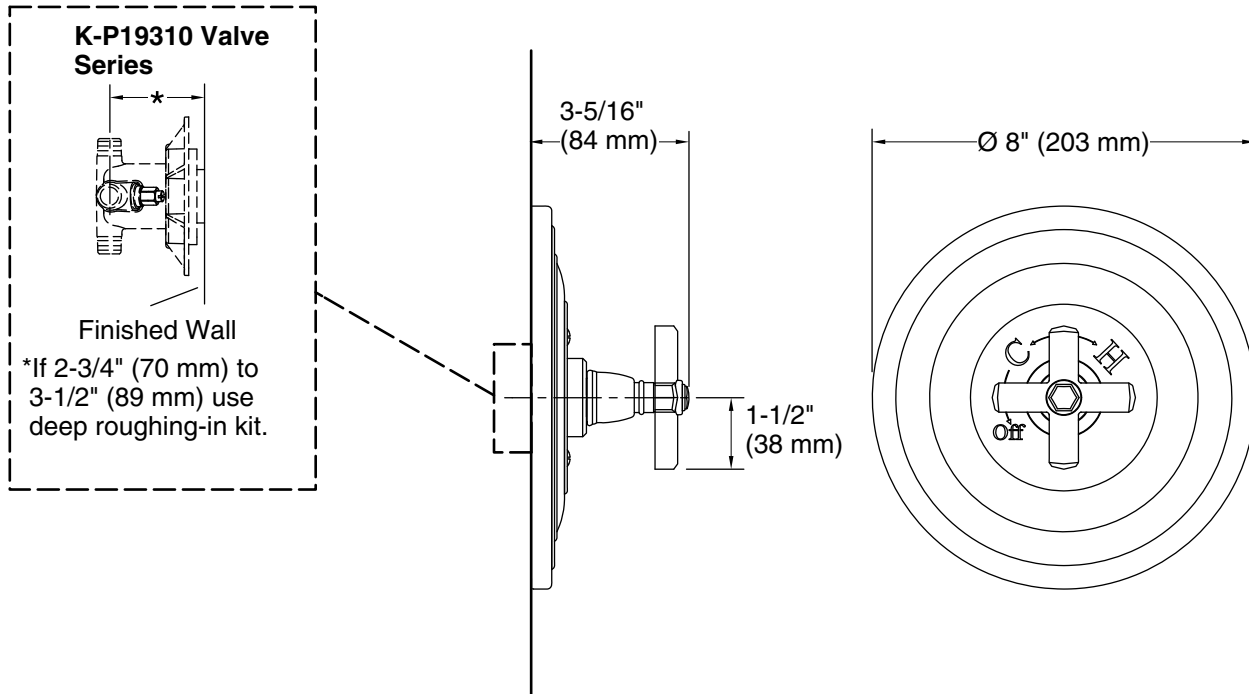
---

1-888-4-KALLISTA (1-888-452-5547)

Kallista reserves the right to make revisions without notice to product specifications.

For the most current Specification Sheet, go to [www.kallista.com](http://www.kallista.com).

7-4-2025 22:05 - US



**Technical Information**  
All product dimensions are nominal.

**Notes**  
ADA compliant when installed to the specific requirements of these regulations.