

**Allegro N**  
**HighArc Kitchen Faucet, 2-Spray Pull-Down, 1.75 GPM**  
 Finishes : **chrome** Part no. : **71843001**



**Description**

**Features**

- Swivel range 360°
- Laminar and needle spray
- Toggle spray diverter
- MagFit magnetic sprayhead docking
- Single-hole installation
- Flow: 1.75 GPM (6.6 L/Min)
- Ceramic cartridge
- 3/8" hoses
- Integrated double backflow prevention

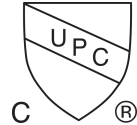
**Item details**

List Price \$ 500.00

**Technology**



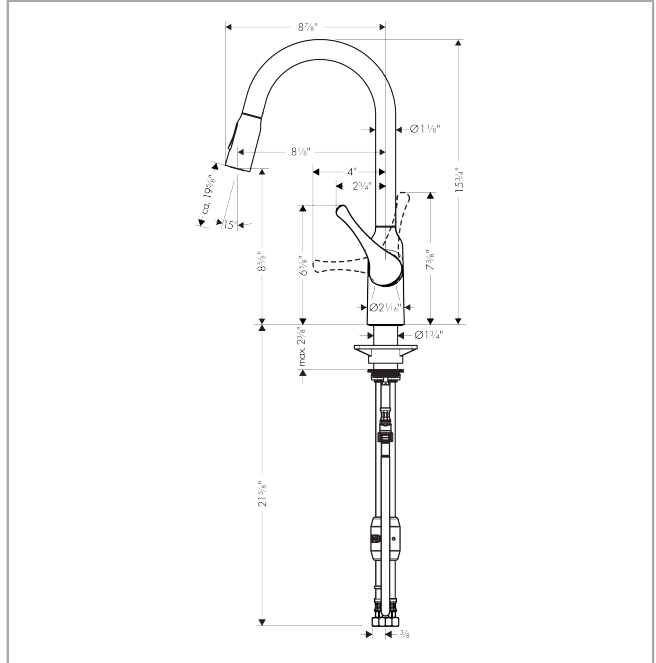
**Compliance**



**Product image**



**Scale drawing**

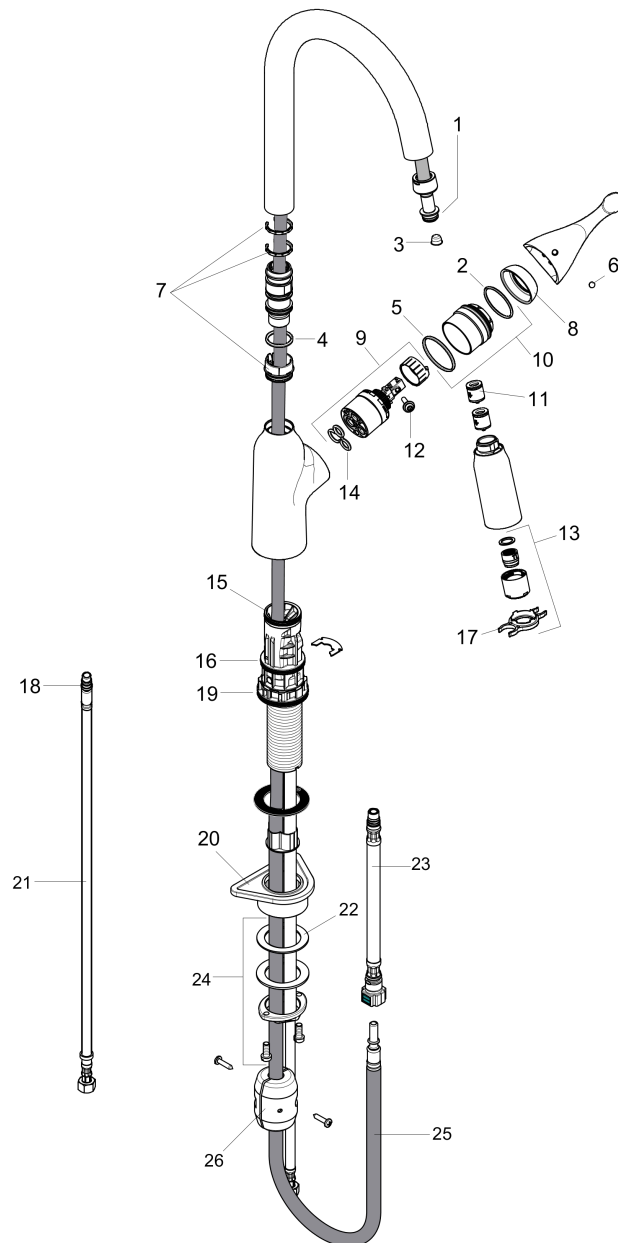


**Allegro N**  
**HighArc Kitchen Faucet, 2-Spray Pull-Down, 1.75 GPM**  
 Finishes : **chrome** Part no. : **71843001**



Exploded drawing

Year of production: >04/19



**Allegro N**  
**HighArc Kitchen Faucet, 2-Spray Pull-Down, 1.75 GPM**  
 Finishes : **chrome** Part no. : **71843001**



## Spare parts list

Year of production: >04/19

Pos.	Description	Part no.	Price	PU
1	O-ring 11x2	98127000	-	1
2	O-Ring 32x2	98193000	-	1
3	filter	97735000	-	1
4	O-ring 21x2,5	98211000	-	1
5	O-ring 36x2	98156000	-	1
6	screw cover	96338000	-	1
7	set of lever collars	98365000	-	1
8	flange	97406000	-	1
9	cartridge, assy	92730000	-	1
10	nut	93346000	-	1
11	non return valve	93218000	-	1
12	locking screw for handle	95140000	-	1
13	spray former	93342000	-	1
14	seal	95008000	-	1
15	O-ring 30x1,5	98433000	-	1
16	O-ring 38x2	98396000	-	1
17	service tool	95910000	-	1
18	O-ring 6,6x1,6	93019000	-	1
19	O-ring 44x2,5	98162000	-	1
20	support	97523000	-	1
21	connection hose 35½" M8x0,75 3/8"	96316001	-	1
22	lever collar	97548000	-	1
23	connection hose 600 mm M10x1	95561000	-	1
24	fixing set (Ø 34)	93253000	-	1
25	hose 1,50 m	95507000	-	1
26	weight	92500000	-	1
a	handspray	93343001	-	1
b	handle	93496000	-	1