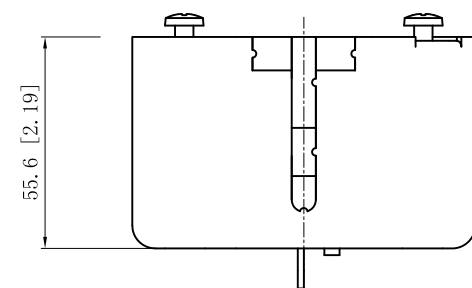
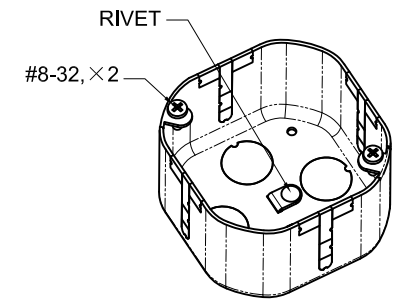
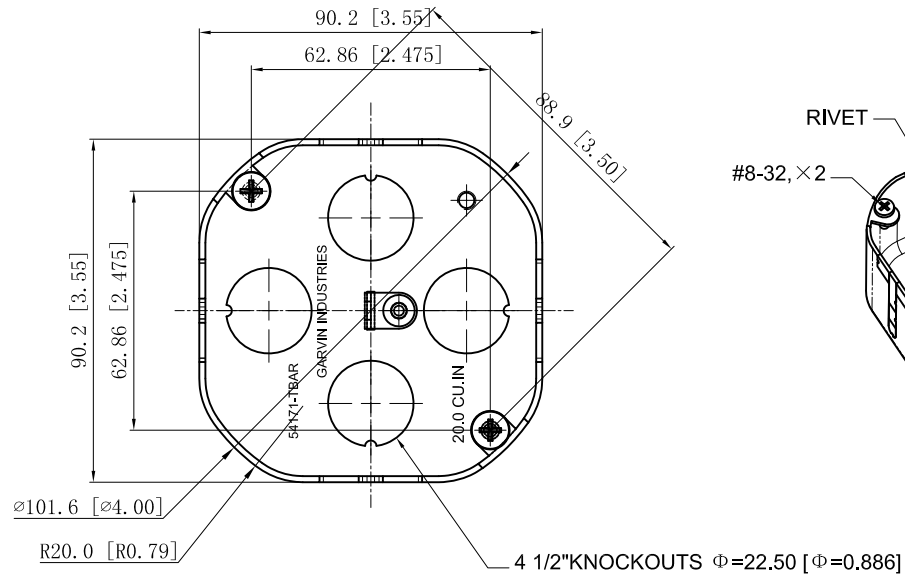
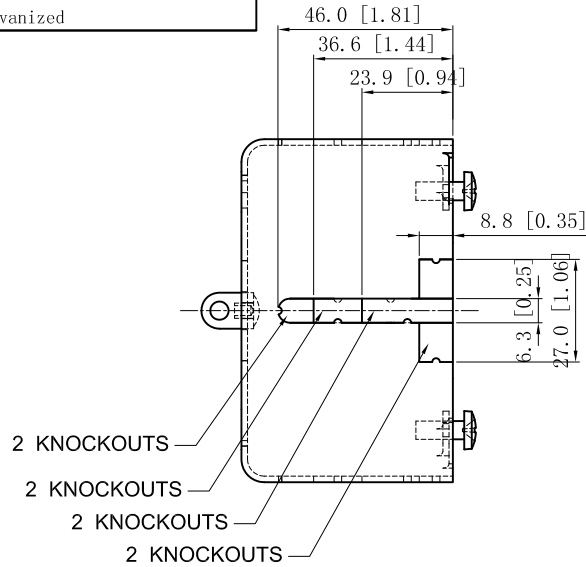


SIDES	BOTTOM
4 KNOCKOUTS	
4 KNOCKOUTS	4 1/2" KNOCKOUTS
4 KNOCKOUTS	
2 PCS 10-32x2 Screws Installed	
Material: Steel-0.0625"-G60 Galvanized	



This data sheet is for reference only. GARVIN INDUSTRIES reserves the right to make changes to the design without prior notice.

DESCRIPTION
TRADE REFERENCE TERMS

STANDARD PACKING	GARVIN INDUSTRIES		
	4" OCTAGON BOXS 2-1/8" DEEP		
25 PCS	TITLE		REV
	SIZE	DWG NO.	I
		54171-TBAR	
		DATA SHEET	
www.garvinindustries.com			