

# HOOKER<sup>®</sup>

— FURNITURE —

## ASSEMBLY INSTRUCTION

Item#: 5751-80111-89 Square Cocktail Table

\*\* Please make sure you have all parts indicated below prior to assembly.  
This table is heavy and can best be assembled with the help of two people.

NO	Hardware List	Q'ty
A	 ALLEN BOLT	8
B	 LOCK WASHER	8
C	 FLAT WASHER	8
D	 ALLEN WRENCH	1

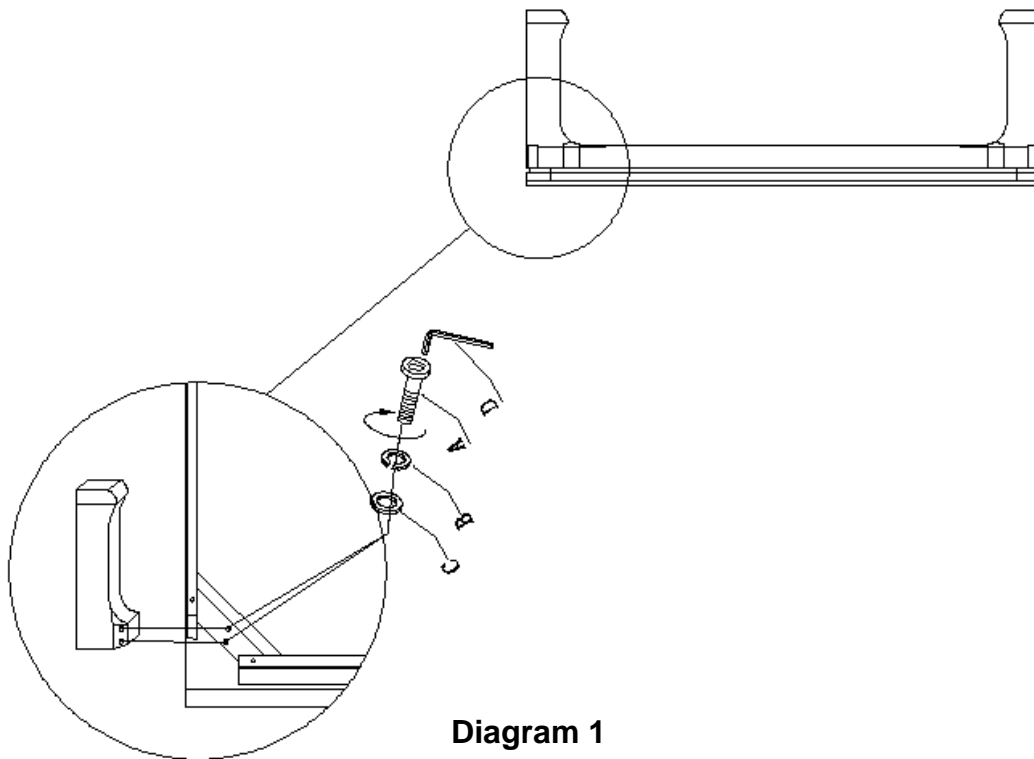


Diagram 1

### Assembly Steps:

1. Put table top upside down on a soft surface to prevent it from being scratched (See diagram 1).
2. Follow numbers on legs and corner blocks. Attach legs to table by using bolts (A), lock washers (B), flat washers (C), and tighten all with allen wrench (D) in clockwise direction. (See diagram 1)
3. Turn table upright.

*Cleaning Instruction: Clean finished parts with a damp cloth using a mild dishwashing liquid and water solution. Polish the finish with soft cloth and an industry recognized furniture polish.*