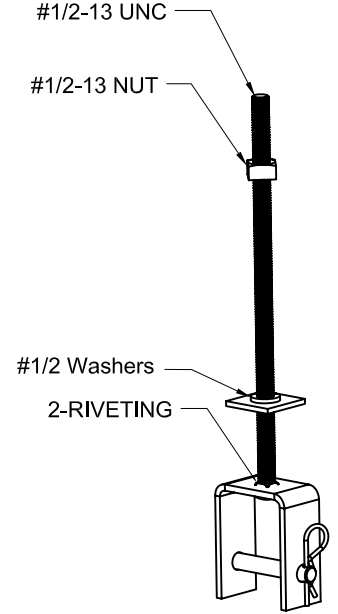
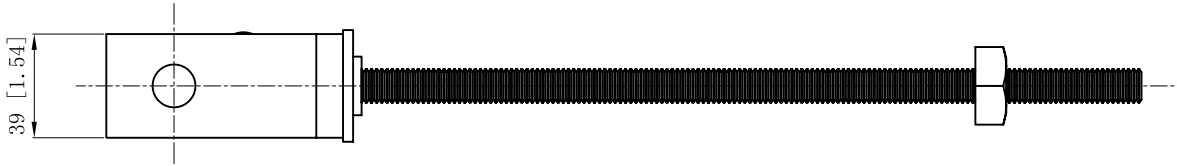
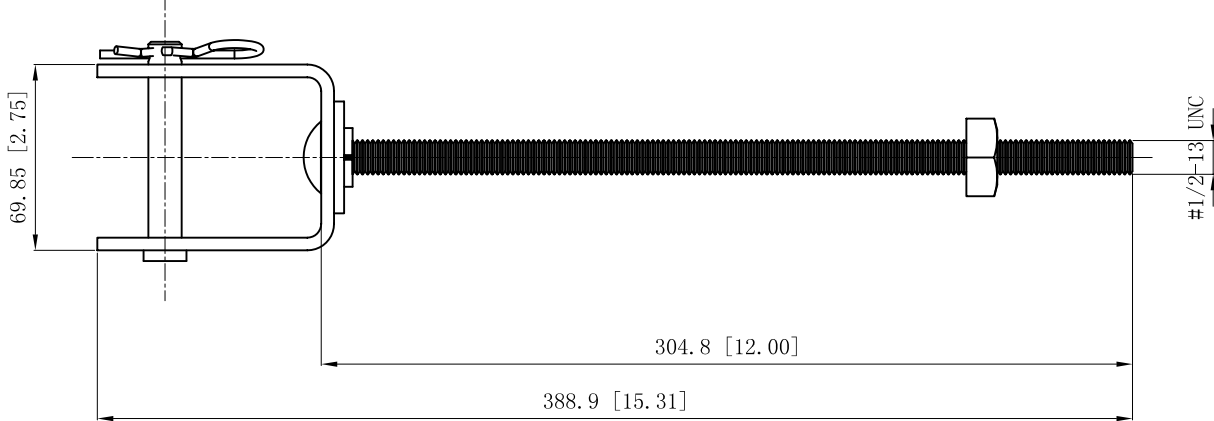
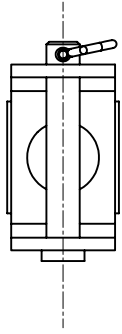


SIDES	BOTTOM
#1/2-13×12" Round Head Square Neck Bolts	
#1/2-13 Square Nut	
#1/2 Lock washers	
Material:Steel-0.0625"- H. R. S Zinc plated	



This data sheet is for reference only .GARVIN INDUSTRIES reserves the right to make changes to the design without prior notice.

DESCRIPTION
TRADE REFERENCE TERMS

STANDARD PACKING
10 PCS

GARVIN INDUSTRIES		
TITLE UTILITY DROPWIR MOUNTING BRACKETS & CLAMPS		
SIZE A4	DWG NO. FB	REV
DATA SHEET		