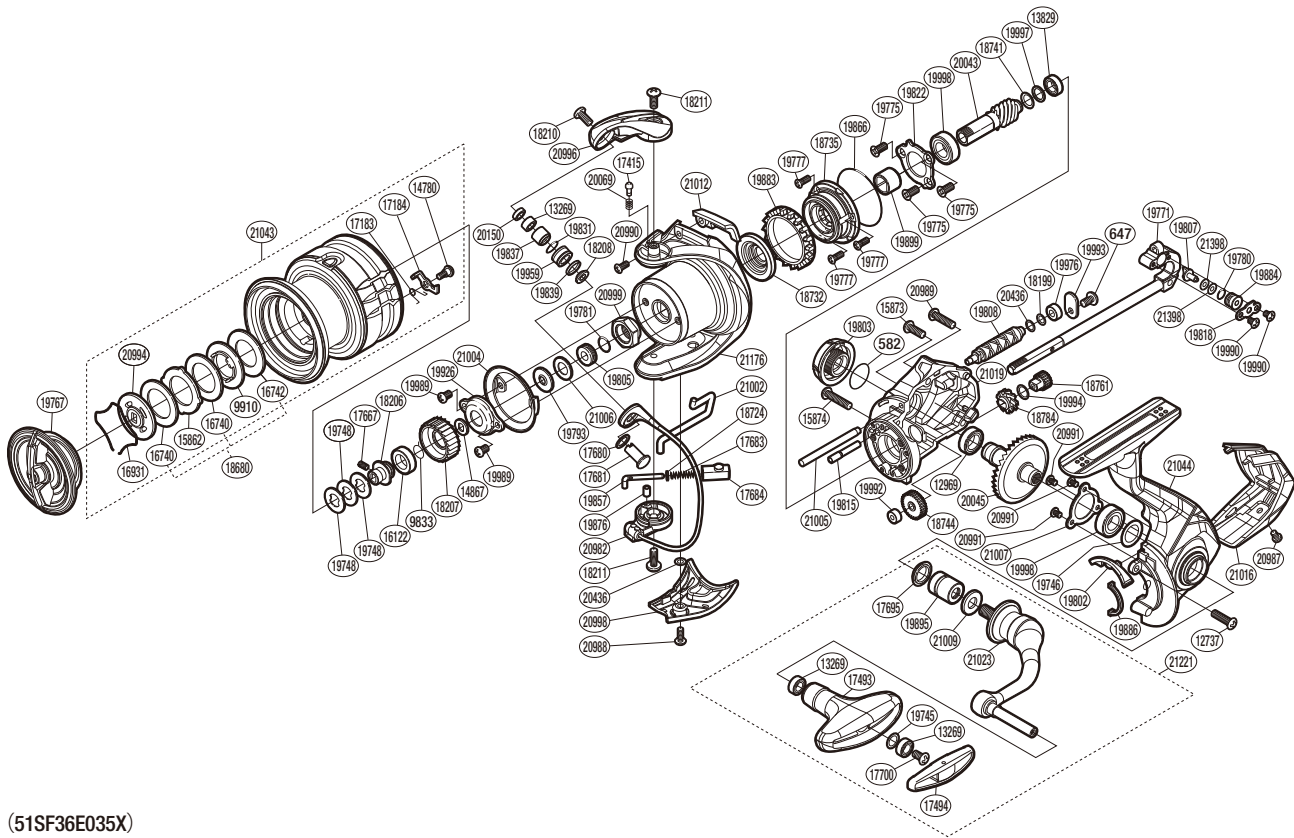


# SHIMANO

## VANFORD

## VFC3000XGF



(51SF36E035X)

#	Part No.	Description	#	Part No.	Description	#	Part No.	Description
582	108WH	O Ring	18735	10S2L	Roller Clutch Assembly	19990	1055H	Screw
647	10QG5	Screw	18741	10SYU	Washer	19992	1009G	Worm Bushing (Front)
9833	107V2	Ratchet Spring	18744	10DK0	Idle Gear	19993	10S7C	Worm Shaft Retainer
9910	10B9D	Key Washer	18761	10DK2	Idle Gear B Small	19994	10TBA	Washer
12737	10LHY	Screw	18784	10DKY	Idle Gear B Large	19997	10HE5	Washer
12969	107FA	Ball Bearing	19745	104FH	Washer	19998	10DZB	Ball Bearing
13269	104VX	Ball Bearing	19746	101AY	Washer	20043	10DX0	Pinion Gear
13829	104JZ	Ball Bearing	19748	10DHG	Washer	20045	10E9W	Drive Gear
14780	10A6F	Screw	19767	10180	Drag Knob Assembly	20069	10HE7	Click Spring
14867	103PE	Spool Support	19771	10DYR	Main Shaft Assembly	20150	10E44	Line Roller Collar
15862	102XW	Eared Washer	19775	100WY	Screw	20436	100CW	Washer
15873	10M2W	Screw	19777	100WT	Screw	20982	10E89	Bail Assembly
15874	10M31	Screw	19780	100WX	O Ring	20987	10RX2	Screw
16122	10J3F	Spool Bushing	19781	10DXE	O Ring	20988	101CC	Screw
16740	10345	Drag Washer	19793	1017W	Bearing Water Proof	20989	10DUC	Screw
16742	10C1A	Drag Washer	19802	1017Y	Bail Trip Strike	20990	10RNG	Screw
16931	10B8N	Drag Washer Retainer	19803	10RSK	Handle Screw Cap	20991	100UL	Screw
17183	10BQF	Drag Click Spring	19805	10RDL	Main Shaft Collar	20994	10K3C	Key Washer
17184	102H5	Drag Click	19807	1018D	Oscillating Pawl	20996	10097	Bail Arm
17415	106ZC	Click Pin	19808	10DVY	Worm Shaft	20998	10095	Bail Hold Support Guard
17493	10R38	Handle Knob	19815	10DVW	Idle Gear B Shaft	20999	100RN	Rotor Nut
17494	10R3A	Handle Knob Seal	19818	10182	Oscillating Pawl Cover	21002	10099	Bail Trip Lever
17667	10PN3	Set Screw	19822	10DWD	Bearing Retainer	21004	1018L	Rotor Brim
17680	1018Z	Washer	19831	1009E	O Ring	21005	10TCA	Oscillating Guide A
17681	10TPC	Line Roller Support	19837	1009K	Line Roller Bushing	21006	100RU	Washer
17683	105R6	Bail Spring	19839	10RFZ	Line Roller Spacer	21007	100F9	Bearing Retainer
17684	107AB	Bail Spring Guide B	19857	10SAN	Bail Spring Guide A	21009	100RR	Washer
17695	10PXV	Handle Shaft Seal	19866	1009Z	O Ring	21012	10S7B	Counter Weight Cover
17700	10LFA	Screw	19876	1009B	Bail Spring Guide A Bush	21016	10DGD	Rear Protector
18199	10ECK	Spacer	19883	10QXQ	Friction Ring	21019	10DGB	Body
18206	10THY	Bearing Bushing	19884	1009L	Oscillating Slider Bushing	21023	10RDC	Handle Shank Assembly
18207	10SYS	Drag Click Ratchet	19886	1009W	Flange Water Proof	21043	100LE	Spool Assembly
18208	10TJM	Spacer	19895	100A0	Handle Shaft Cover B	21044	10RDK	Side Cover Assembly
18210	10TLJ	Screw	19899	1009Y	Roller Clutch Inner	21176	10SX0	Rotor
18211	10TLM	Screw	19926	1076N	Rotor Nut Lock Plate	21221	10S30	Handle Assembly
18680	10SAD	Drag Washer	19959	1009A	Line Roller	21398	10RKQ	Washer
18724	101D9	Spring Guide A Support	19976	1009C	Worm Bushing (Rear)			
18732	101D5	Rotor Ring	19989	103GW	Screw	18054	10G4L	Anti Line Slip Sticker

Please note that the number of adjusting washers may not be the same as shown in the exploded views.  
(Adjustment will vary with each individual product.)

(230607)\_008