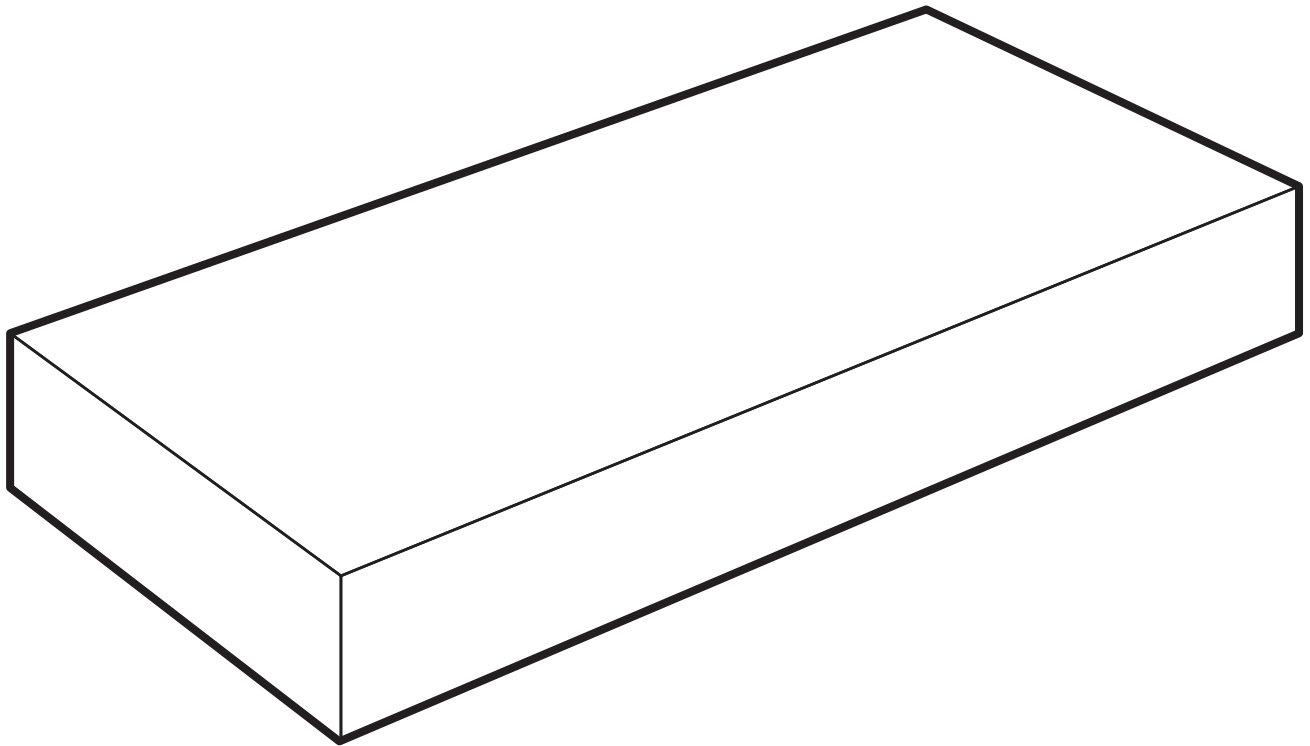


Floating Bathroom Shelf

INSTALLATION INSTRUCTIONS





PRIOR TO INSTALLATION:

- Inspect product to ensure no damages have occurred while in shipping.
- Observe all building codes in accordance with your state and local requirements.
- All dimensions are nominal! Be sure to measure your floating bathroom shelf prior to installation.
- The step-by-step guidelines in the installation instructions are a general reference. Should there be any discrepancies, Swiss Madison® cannot be held liable. It is recommended to install all Swiss Madison® products by hiring a licensed professional.
- Read installation and maintenance instructions thoroughly before installing. Be sure to use proper tools and always wear proper personal safety accessories for your protection.

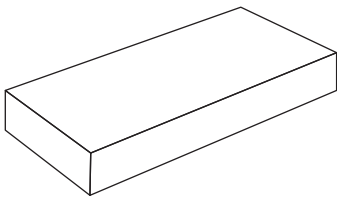
QUESTIONS OR CONCERNS?

Please contact us:

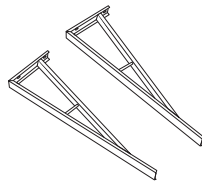
1-434-623-4766

info@swissmadison.com

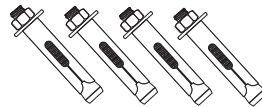
INCLUDED PARTS:



Floating Bathroom Shelf



Racks

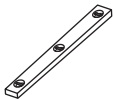


Sleeve Anchor

SUGGESTED TOOLS & MATERIALS:



Safety Glasses



Level



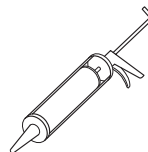
Drill



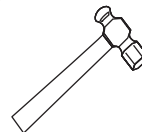
Pencil



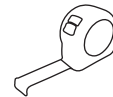
Wrench



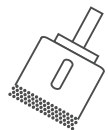
Sealant



Hammer



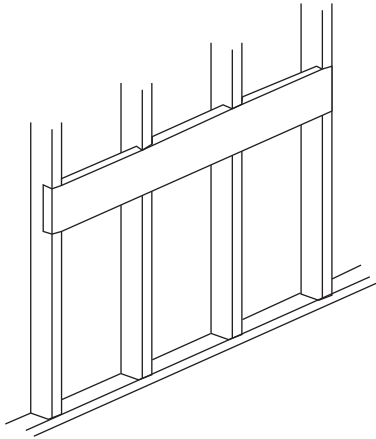
Tape Measure



Dry diamond hole saws
 Ø=35mm, 1-3/8' x 1PC
 Ø=102mm, 4' x 1PC

INSTALLATION:

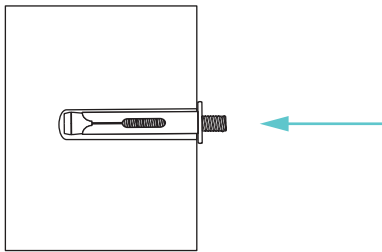
- 1a** • Locate studs in the wall. If studs do not line up with the shelf mounting holes, additional support backing is needed behind the finished wall.



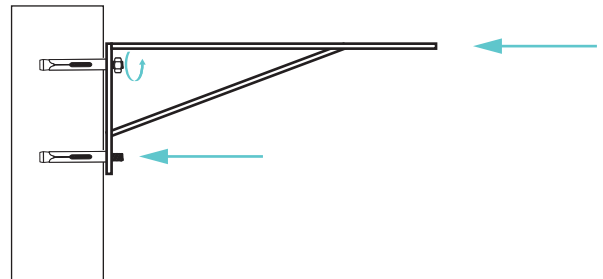
- 1b** • Measure the distance between the center of each mounting hole on the back of the racks. Use this measurement to draw 4 marks onto the wall in the desired mounting location. Use a level to make sure the marks are level with the floor. Drill 4 holes according to the marks using a 8 mm masonry drill bit to a depth of 55 mm.



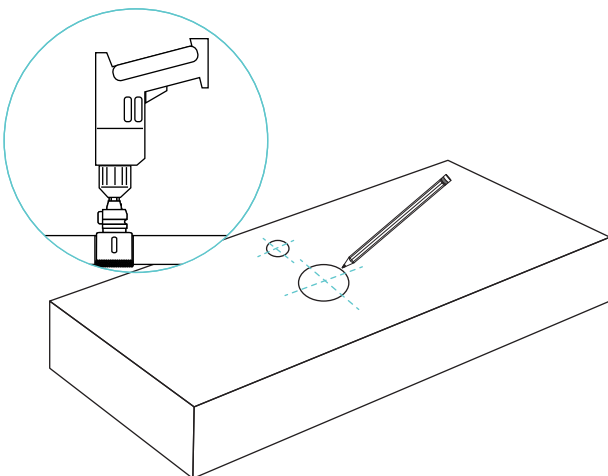
- 2** • Release the nuts, and push an anchor into each hole.



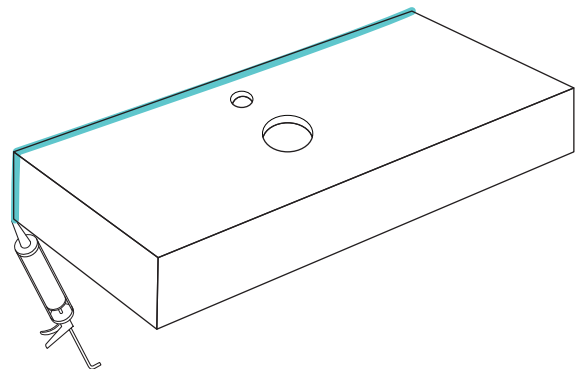
- 3** • Screw fixing nuts into each anchor using a 8 mm wrench until the rack contacts the wall.



- 4** • Mark the drill holes for the faucet and basins drain, drill with different dry diamond hole saws.



- 5** • Place the shelf in position against the wall, and onto the racks. Level the top of shelf, and seal the rear of the shelf from the bottom up.



ONE YEAR LIMITED WARRANTY

Swiss Madison® products are made with quality materials and excellent craftsmanship to provide our customers with beautiful, durable, long-lasting products. Should there be any defects in materials or craftsmanship under regular use that are discovered within the first year of installation, Swiss Madison® will provide replacement parts at no charge, or at its discretion, replace any product or part of the product that is deemed defective, under normal installation, use, service or maintenance. This warranty applies only to the original purchaser. Proof of purchase will be required in the instance of a claim.

Swiss Madison® recommends all installations of Swiss Madison® products to be conducted by a licensed, professional plumber or contractor. Swiss Madison® will not be held responsible for any damage or product failure due to improper installation, misuse, or failure to utilize a licensed professional for installation. Swiss Madison® is not responsible for any installation or removal costs.

THIS ONE YEAR LIMITED WARRANTY WILL BE VOIDED IF:

- The installation recommendations were not followed by the installer
- The product has been moved from its initial place of installation
- The product has in any way been modified from its packaged state
- The product has been subjected to improper maintenance, abuse, misuse, excessive use of chemicals, accidents, or other damages, etc.

Swiss Madison® makes no implication that its products comply with any local building or plumbing codes. It is the consumer's responsibility and obligation to determine local code compliance prior to and during installation. This warranty extends only to the original purchaser and first consumer.

Swiss Madison® is not responsible for any special, incidental or consequential damages associated with the installation, replacement, return or use of the original purchaser's product. This includes, but is not limited to: freight costs, labor, travel time, lost profit, home damages and other contingent liabilities and costs (including, without limitation, costs associated with 'professionals' or 'experts', investigations, audits, analyses, attorneys and any other professional/hired services).

The Swiss Madison® warranty is a comprehensive and explicit limit of liability. All items not disclosed within the warranty are not addressable within the responsibility of Swiss Madison®. Certain states have variances regarding implied warranties; in those situations, we remain fully compliant.

QUESTIONS OR CONCERNS?

Please contact us directly at 1-434-MADISON (623-4766)



WARNING:

Contents of your order may contain sharp and possibly other harmful pieces and may cause hazard to children and adults. Swiss Madison® is not responsible in any way for personal damages.