

HEAT-POWERED STOVE FAN GWC-116

! IMPORTANT !

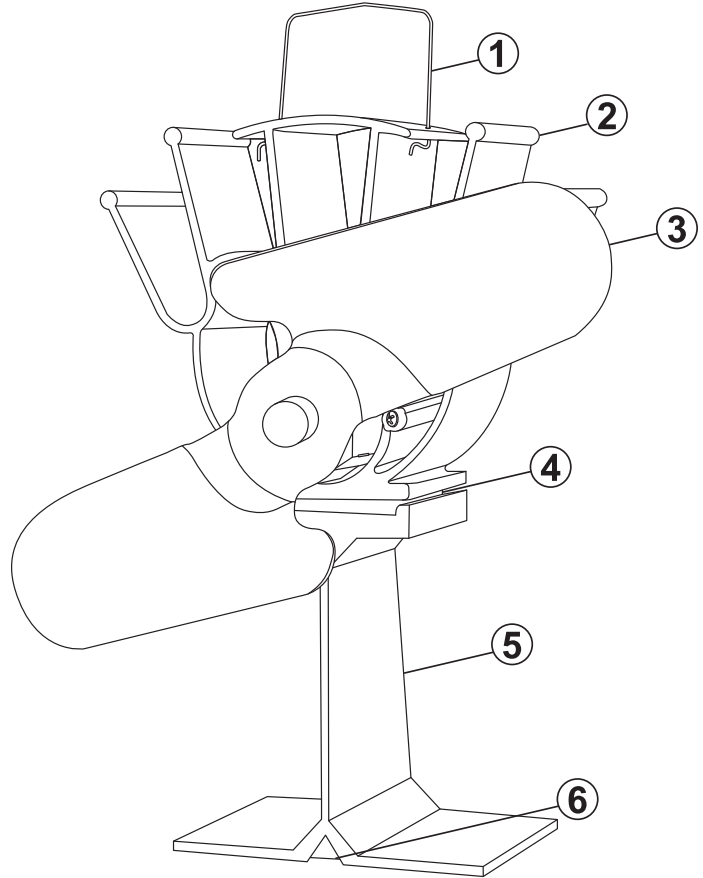
Before using this product, read this entire manual thoroughly and follow instructions carefully. In doing so you will ensure the safety of yourself and others.

HOW IT WORKS

- The stove fan generates its own electricity through difference in temperature, no batteries or electricity required.
- The heat generated from a stove travels up the fan base to the thermo-electric module. The heating of the device creates thermoelectric energy, which begins to turn the fan blade and circulates warm air around the room.
- The fan base and blade are made from aluminum. The anodized blades are rust and corrosion resistant and have been designed to deliver a broad thermal current.

IMPORTANT: Operation above the recommended temperature of 653°F (345°C) may damage the fan and the electricity generating components. Damage caused by misuse automatically invalidates the product warranty.

DESIGN FEATURES



1. Handle
2. Cooling Fins
3. Fan Blade
4. Thermo-Electric Module
5. Base
6. Heat-Sensitive Metal Strip

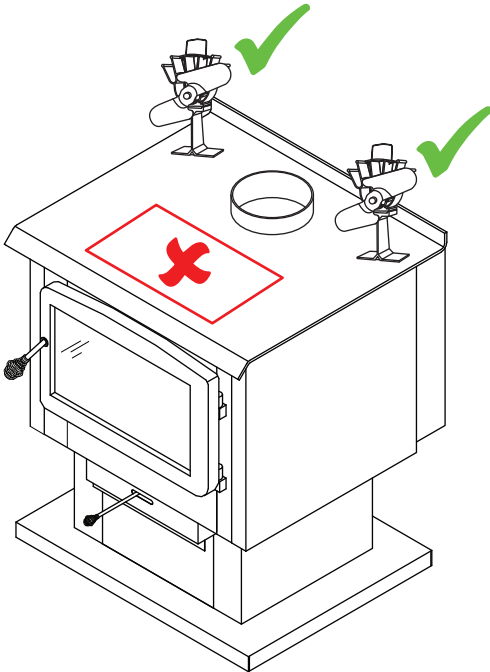
This metal strip is a bi-metallic strip designed to raise the edge of the fan slightly as the maximum operating temperature is approached. It is a safety device to help protect the motor from overheating if the surface temperature exceeds 608°F (200°C).

- NOTES:**
- No user-servicable parts
 - Power unit never needs lubrication
 - Do not attempt to service this product

USE & POSITIONING

⚠ WARNING: THE OPTIMAL OPERATING TEMPERATURE IS 392°-608°F (200°C-320°C). NEVER USE ON A SURFACE THAT IS OVER 653°F (345°C).

NOTE: The optimal operating temperatures stated are for reference and guidance purposes only. Optimal performance may vary in different environments.



- The stove fan is designed for usage on freestanding stoves with a normal surface temperature between 176°F (80°C) and 653°F (345°C). Remove the fan from the stove if the temperature exceeds 653°F (345°C).
- Only use the stove fan on the smooth, flat surface of a stove top. Position the fan near the back of the stove top and to the left or right of the stovepipe. Do not position the back of the fan close to the stovepipe.
- To prevent damage to the fan components, use a suitable thermometer to monitor stove temperature.
- Avoid moving the fan while in use. Always wear heat-proof gloves if moving the fan while it is hot; gloves help protect against burns and injury from the rotating blades.
- Always use the extendable handle when moving the fan, never handle the stove fan by the base.

SAFE USE: Only use on the top of a flat, smooth stove. Never set the fan on unprotected surfaces such as wood, laminate, carpet, etc., when it is hot.

This stove fan can remain hot for several hours after a stove fire dies down. Never move the fan with bare hands unless it is cool to the touch.

Read this entire manual thoroughly to ensure you understand other safety precautions and potential hazards.

CLEANING: Ensure the unit is completely cool before cleaning. If you feel heat when you place your bare hand close to the unit, it is too hot to move or clean.

Dust with a soft, dry cloth or feather duster. For stubborn dirt/dust, use a damp cloth to wipe down exterior surfaces. Do not submerge in water or use abrasive cleaners as doing so may damage the unit.

⚠ SAFETY STATEMENTS & WARNINGS ⚠

- Do not use on surfaces that exceed 653°F (345°C).
- Always supervise children and pets around a stove and the stove fan; do not allow children or pets anywhere near this unit while in use.
- Always wear heat-proof gloves if the fan must be moved while it is in use.
- Do not set the stove fan on an unprotected surface if the base is hot.
- Keep loose items such as fabric curtains away from the fan while in use.

Any modification to the product or failure to follow recommended care will void the product warranty.

⚠ WARNING:

Manufacturer and seller expressly disclaim any and all liability from personal injury, property damage or loss, whether direct or indirect, or incidental, resulting from the incorrect attachment, improper use, inadequate maintenance, or neglect of this product.