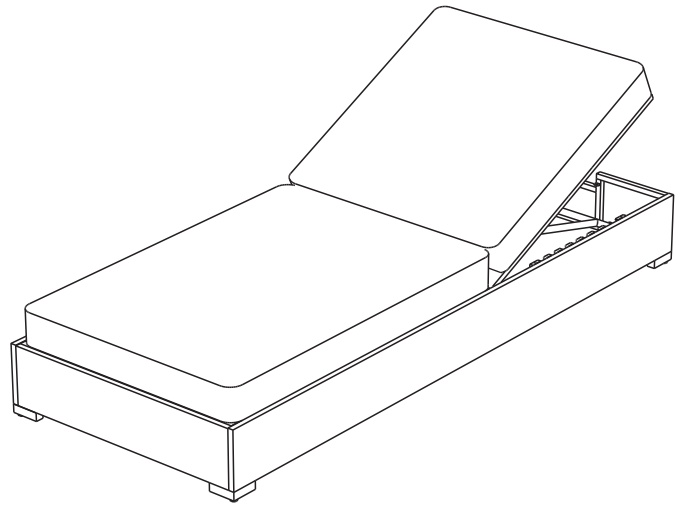


**IMPORTANT**

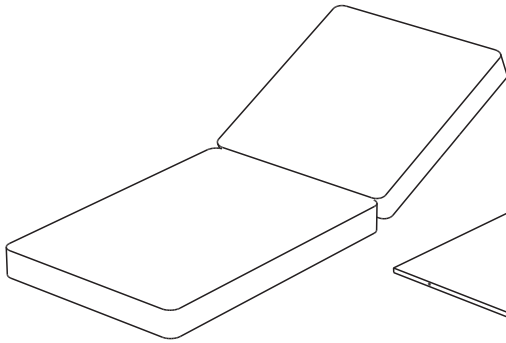
Carefully remove all the parts from the carton and place them individually on a soft cloth to prevent scratches or other damage.

Carefully and strictly follow these assembly instructions to ensure a completed product as designed.

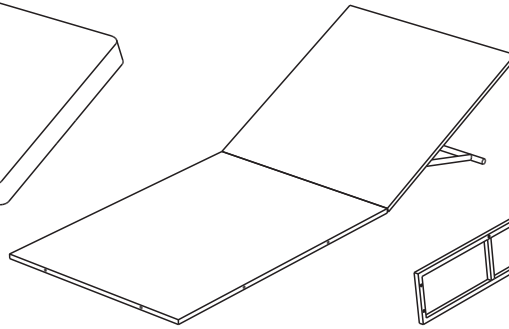
Do not use power tools above 8 volts to assemble.



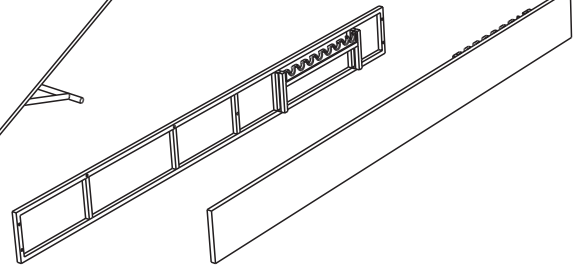
**Part List**



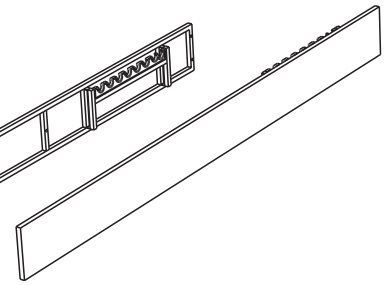
A.  
Cushion  
1 pc.



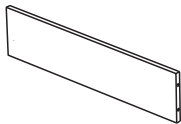
B.  
Seat  
1 pc.



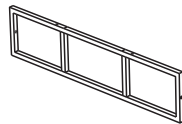
C.  
Side  
1 pc.



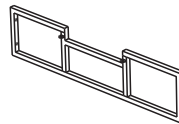
D.  
Side  
1 pc.



F.  
Front  
1 pc.



G.  
Frame  
1 pc.

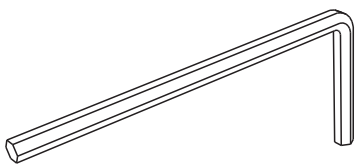


H.  
Back  
1 pc.



E.  
Foot  
4 pcs.

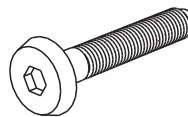
**Hardware List**



Hex Wrench  
1 pc.



Small  
Hex Wrench  
1 pc.



M6x35  
Head Cap Bolt  
26 pcs. (+1 extra)



Spring Washer  
26 pcs. (+1 extra)



Flat Washer  
26 pcs. (+1 extra)

## Assembly Instructions 2/4

### IMPORTANT

- Use a soft cloth between these parts and the floor.
- Do not use power tools above 8 volts to assemble.
- Do not tighten all the bolts until each part is properly assembled.
- The unit must be level to work properly. Use the included adjustable levelers to level.
- Keep Hex Wrench as the bolts may need to be tightened in the future.

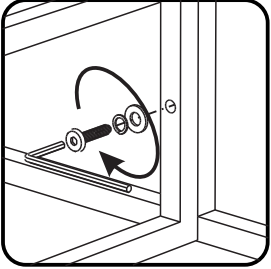
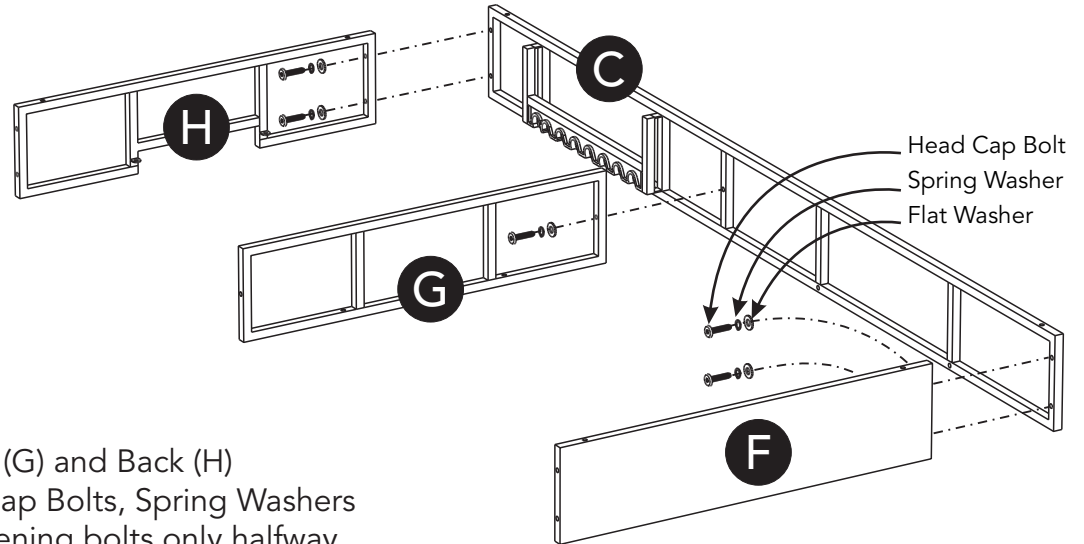
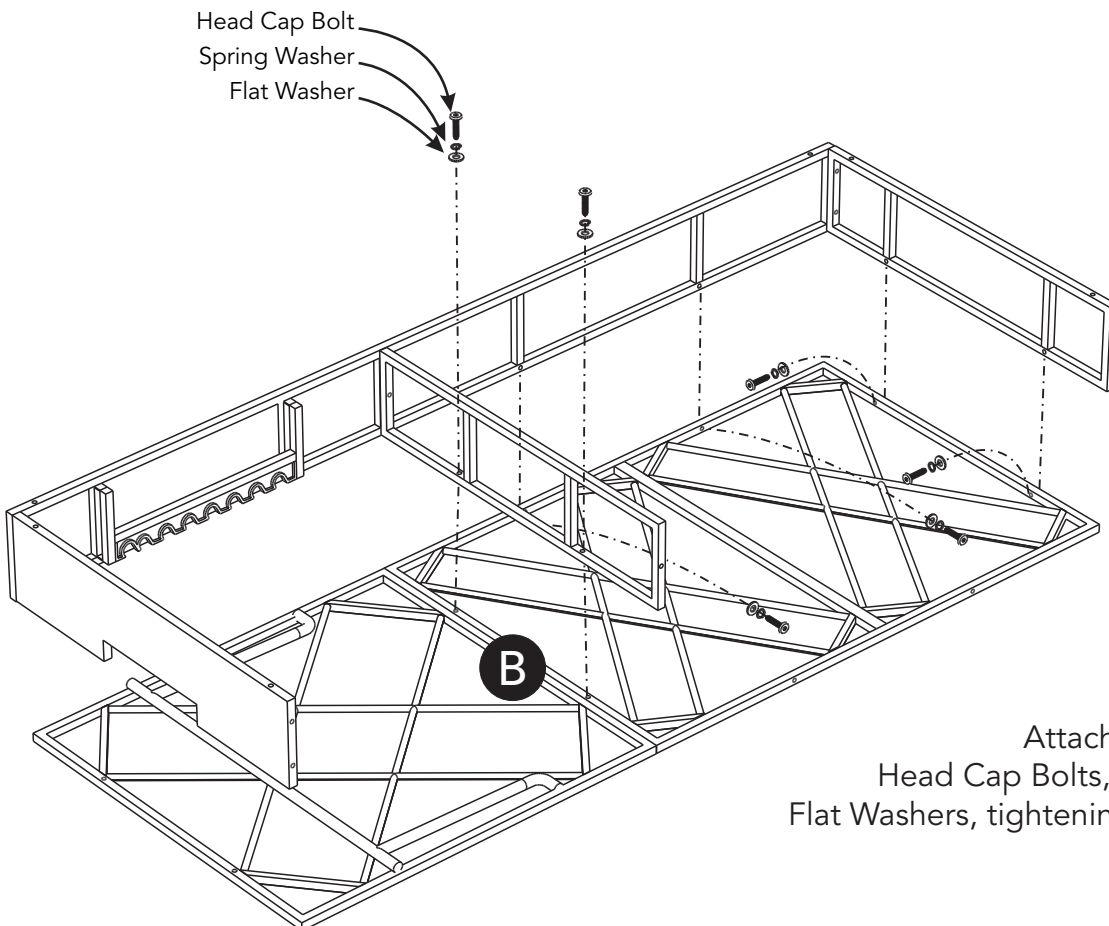


Figure 1



### STEP 1

Attach Front (F), Frame (G) and Back (H) to Side (C) with Head Cap Bolts, Spring Washers and Flat Washers, tightening bolts only halfway. (See Figure 1)

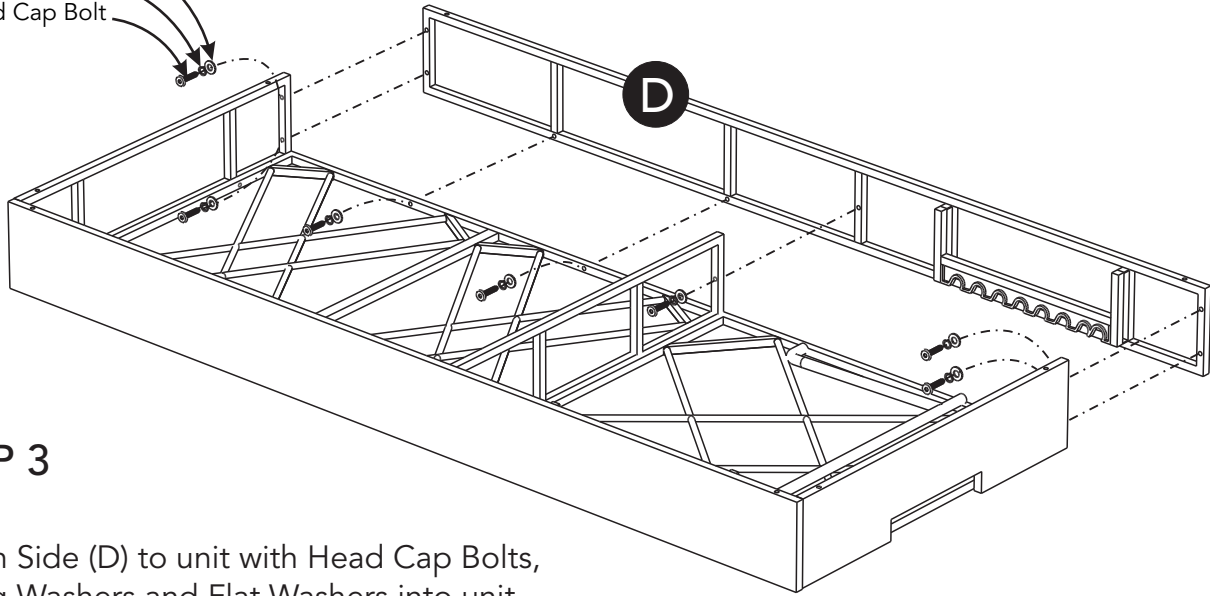


### STEP 2

Attach Seat (B) to unit with Head Cap Bolts, Spring Washers and Flat Washers, tightening bolts only halfway.

# Assembly Instructions 3/4

Flat Washer  
Spring Washer  
Head Cap Bolt



## STEP 3

Attach Side (D) to unit with Head Cap Bolts, Spring Washers and Flat Washers into unit, tightening bolts only halfway.

Tighten all bolts used in Steps 1, 2 and 3.

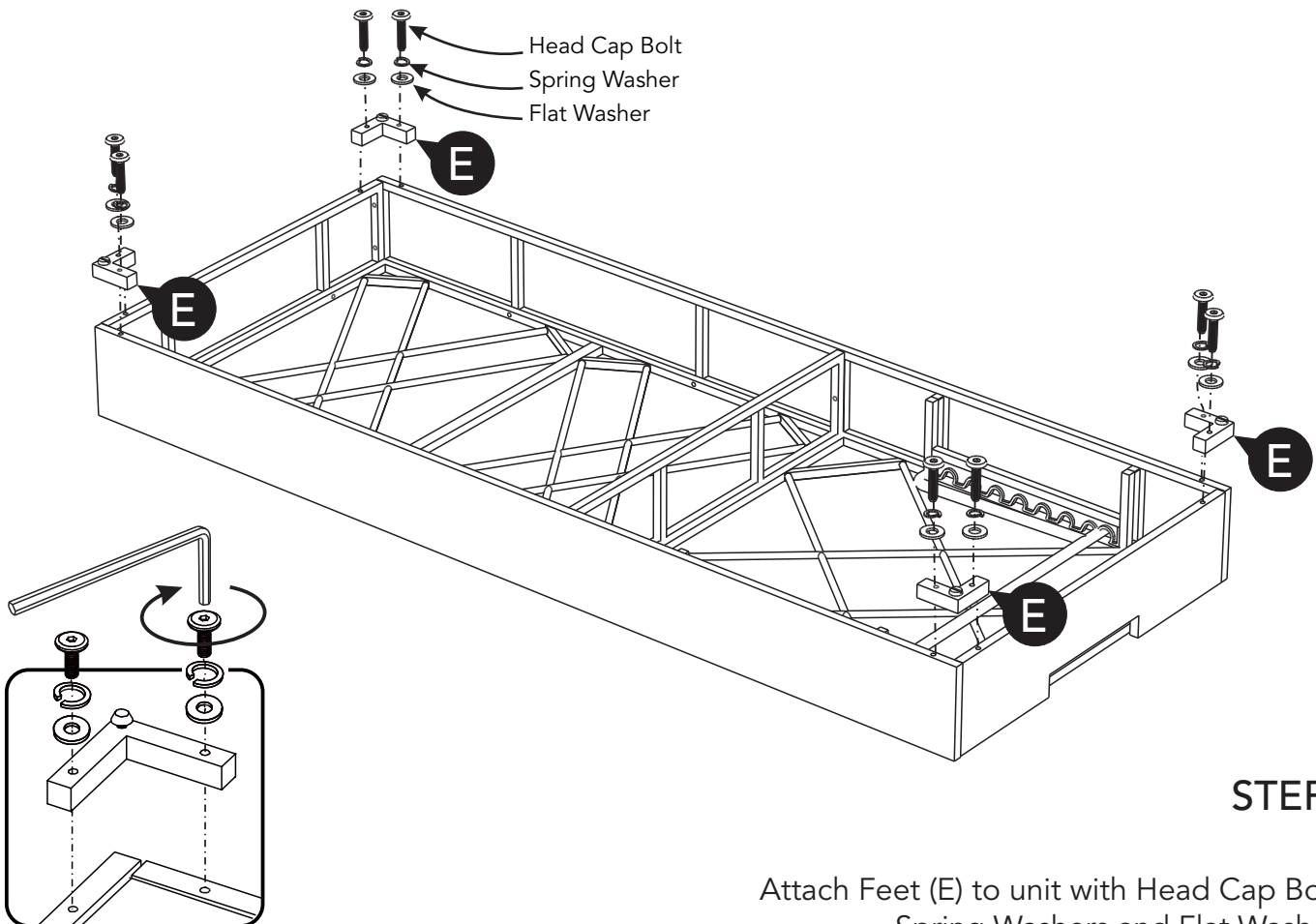


Figure 2

## STEP 4

Attach Feet (E) to unit with Head Cap Bolts, Spring Washers and Flat Washers.  
(See Figure 2)

# Assembly Instructions 4/4

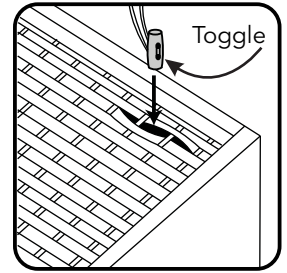
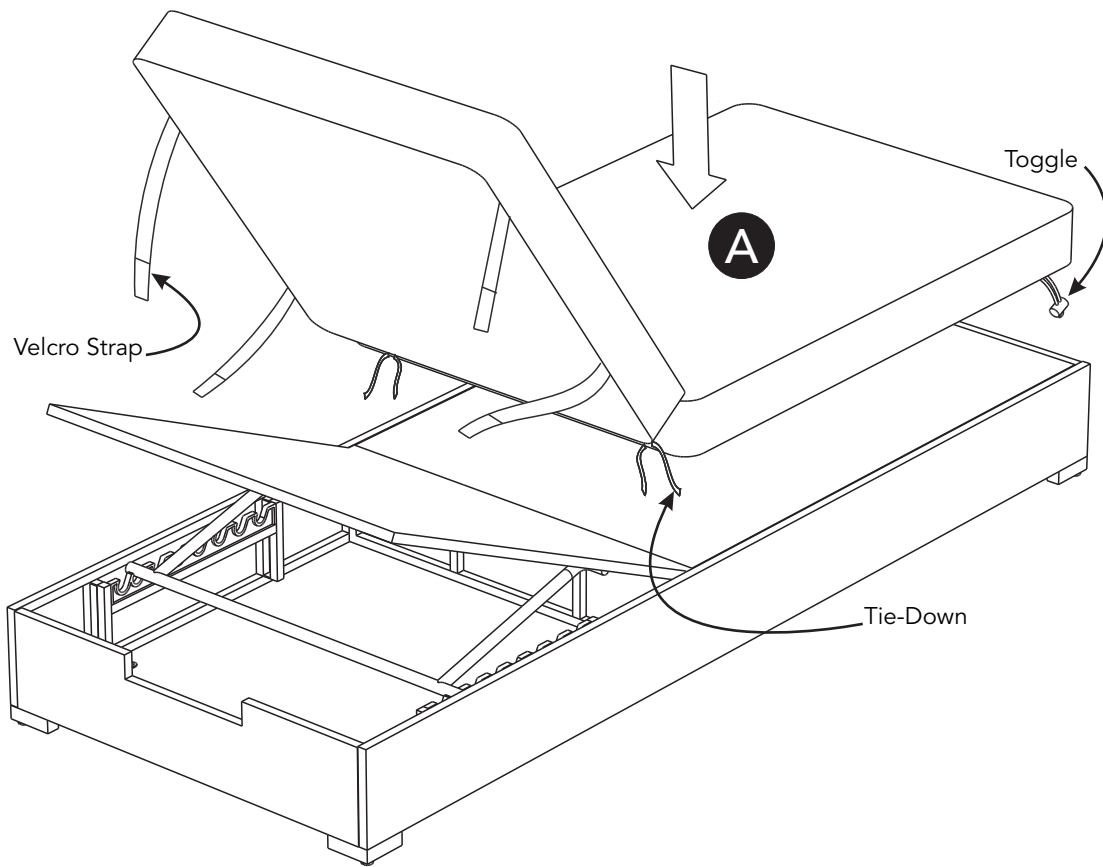


Figure 3

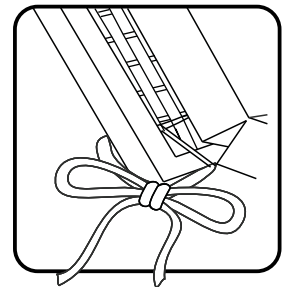


Figure 4

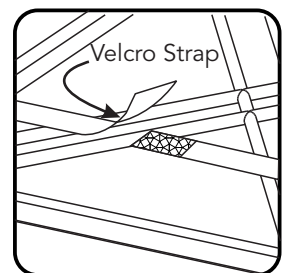


Figure 5

## STEP 5

Turn unit over to its upright position.

Attach Cushion (A) to unit by pushing toggles through weaving in seat of unit. (See Figure 3)

Attach Cushion (A) to unit with tie-downs. (See Figure 4)

Attach Cushion (A) to unit with velcro straps. (See Figure 5)

Level unit by adjusting the adjustable levelers on bottom of unit. (See Figure 6)

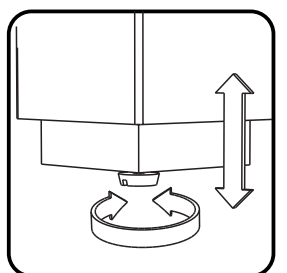


Figure 6

# CARE INSTRUCTIONS

## NEVER

allow liquids to remain on furniture.  
Absorption causes parts to warp  
and split and finishes to delaminate.

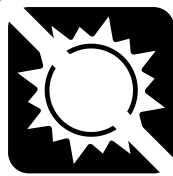
## NEVER

use glass cleaners on  
finished furniture. Ammonia  
chemically attacks the finish.



Do not use power tools  
above 8 volts to assemble.

**PREVENT  
CRACKING**



Do not place  
in direct sunlight.

**PREVENT  
FADING**



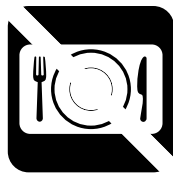
Do not write  
directly on surface.

**PREVENT  
MARKING**



Do not place hot  
objects on surface.

**PREVENT  
FINISH DAMAGE**



Do not use rubber  
based placemats.

**PREVENT  
DISCOLORING**



Do not use commercial  
waxes and polishes.

**PREVENT  
YELLOWING**

## CLEAN

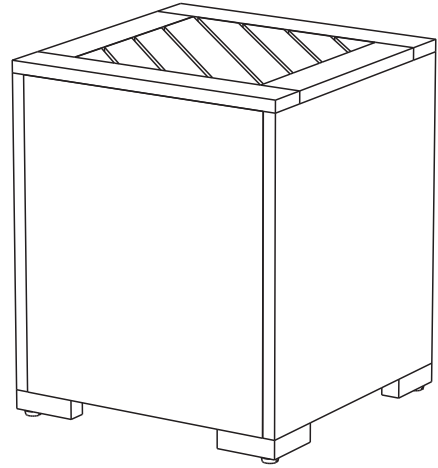
with a soft cloth moistened  
in lukewarm soap and water.  
Buff with a dry clean cloth.



**homestyles** will provide replacements free of charge for missing or damaged parts within 1 year of purchase. Digital images of the defective parts may be required. If the product was not purchased from an authorized retailer, **homestyles** is under no obligation to provide replacement parts. Parts are not available for fully assembled items nor are parts available for sale. Replacements for missing or damaged parts may be requested via contact info below.

**homestyles** Customer Service: [www.homestylesfurniture.com](http://www.homestylesfurniture.com),  
[servicedesk@homestylesfurniture.com](mailto:servicedesk@homestylesfurniture.com), 888-680-7460

# End Table



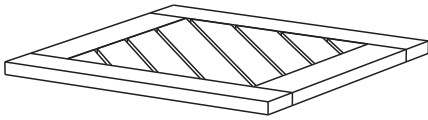
## IMPORTANT

Carefully remove all the parts from the carton and place them individually on a soft cloth to prevent scratches or other damage.

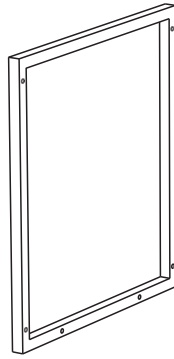
Carefully and strictly follow these assembly instructions to ensure a completed product as designed.

Do not use power tools above 8 volts to assemble.

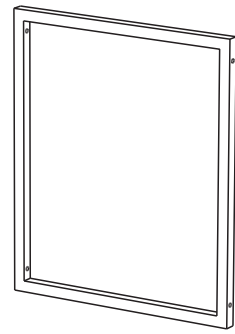
## Part List



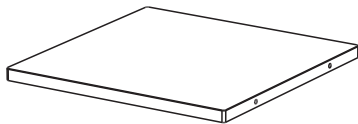
A.  
Top  
1 pc.



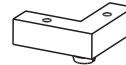
B.  
Panel  
2 pcs.



C.  
Panel  
2 pcs.

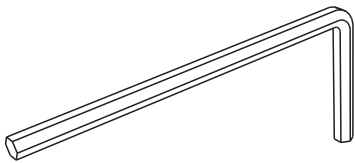


D.  
Base  
1 pc.

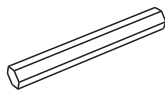


E.  
Foot  
4 pcs.

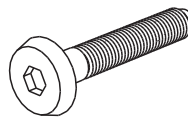
## Hardware List



Hex Wrench  
1 pc. (+1 extra)



Small  
Hex Wrench  
1 pc.



M6x35  
Head Cap Bolt  
20 pcs. (+1 extra)



Spring Washer  
20 pcs. (+1 extra)



Flat Washer  
20 pcs. (+1 extra)

## Assembly Instructions 2/5

### IMPORTANT

- Use a soft cloth between these parts and the floor.
- Do not use power tools above 8 volts to assemble.
- Do not tighten all the bolts until each part is properly assembled.
- The unit must be level to work properly. Use the included adjustable levelers to level.
- Keep Hex Wrench as the bolts may need to be tightened in the future.

### STEP 1

Attach Base (D) to Panel (B) with Head Cap Bolts, Spring Washers and Flat Washers, tightening bolts only halfway. (See Figure 1)

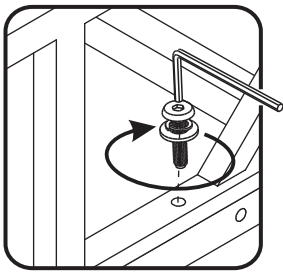
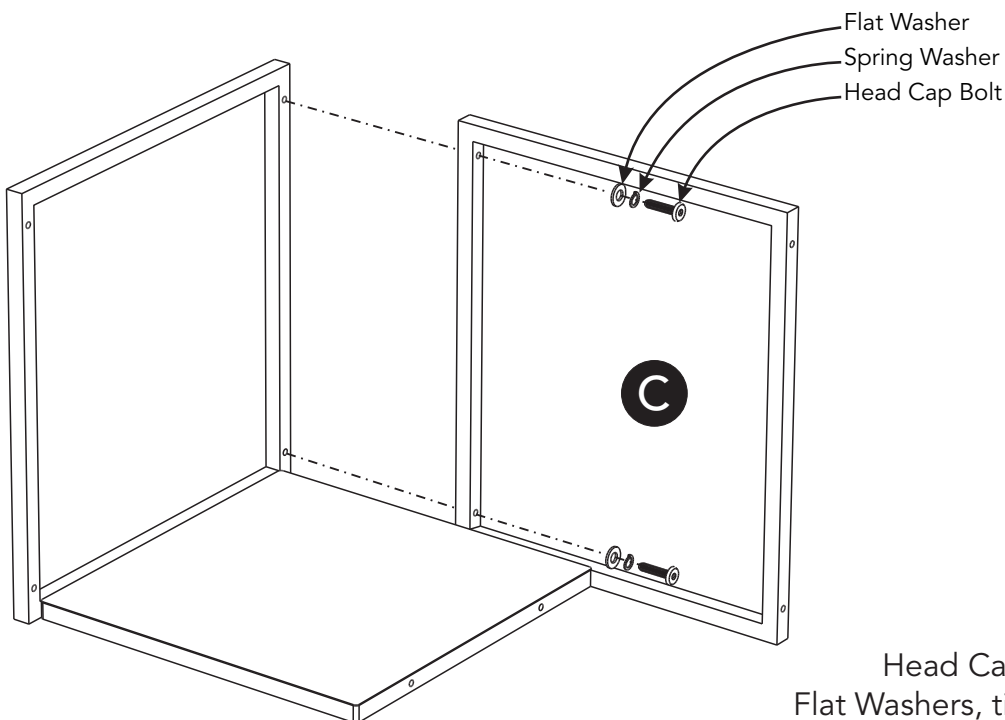
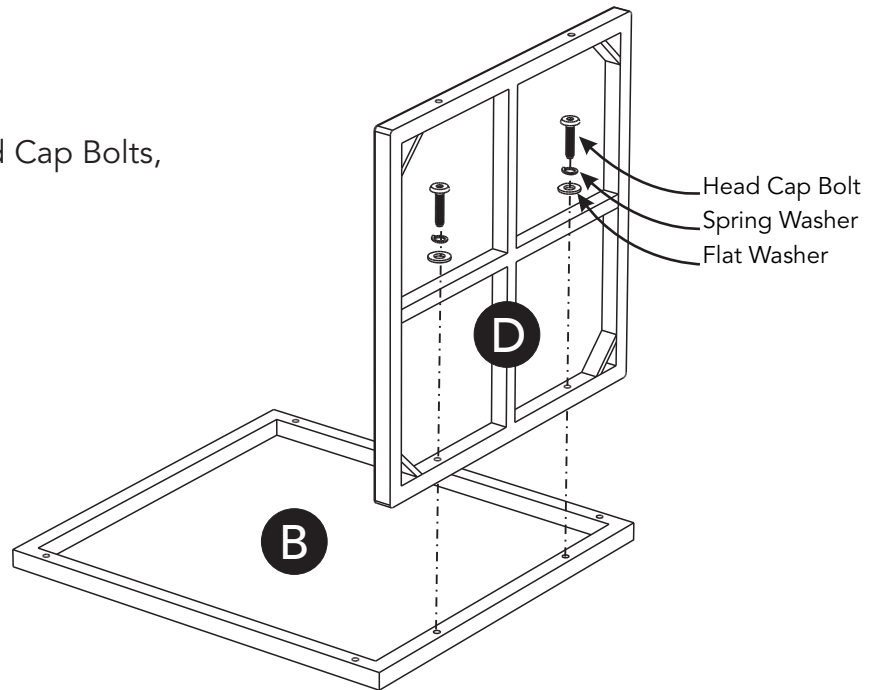


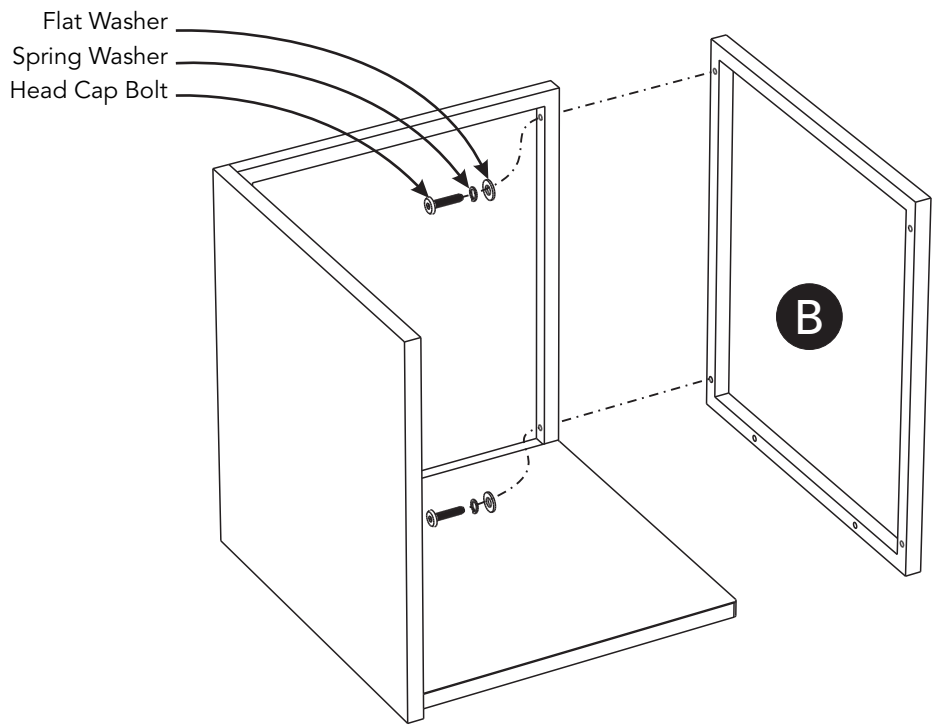
Figure 1



### STEP 2

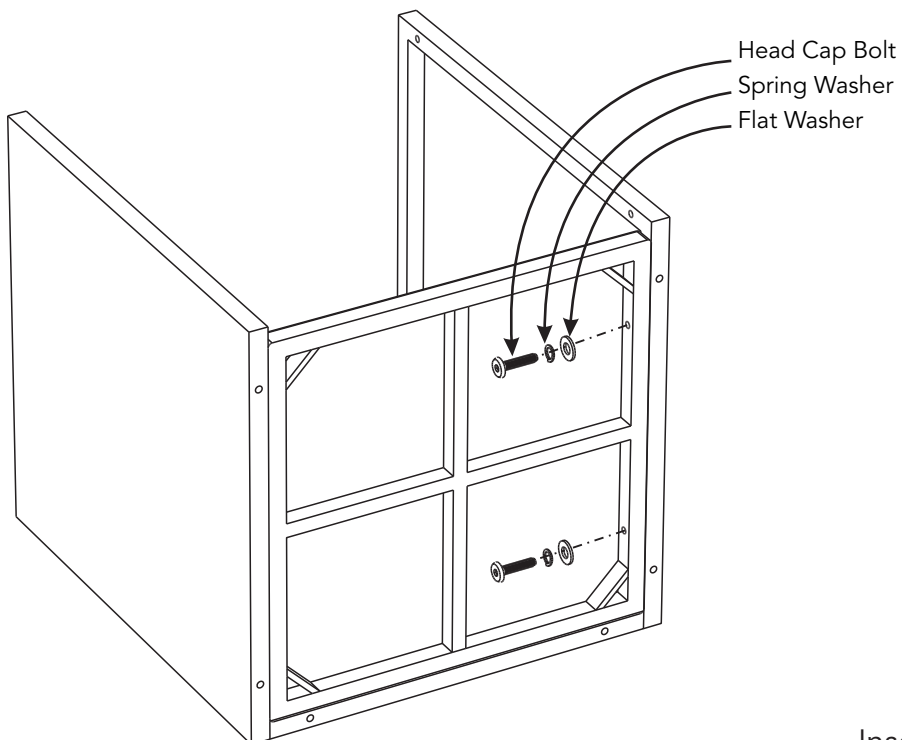
Attach Panel (C) to unit with Head Cap Bolts, Spring Washers and Flat Washers, tightening bolts only halfway.

# Assembly Instructions 3/5



## STEP 3

Attach Panel (B) to unit with Head Cap Bolts, Spring Washers and Flat Washers, tightening bolts only halfway.



## STEP 4

Insert Head Cap Bolts, Spring Washers and Flat Washers into unit, tightening bolts only halfway.

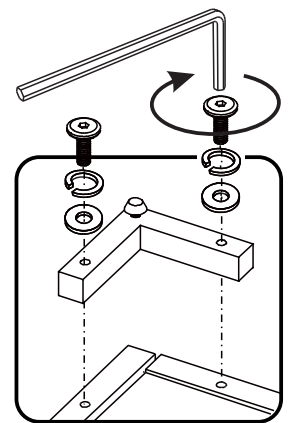
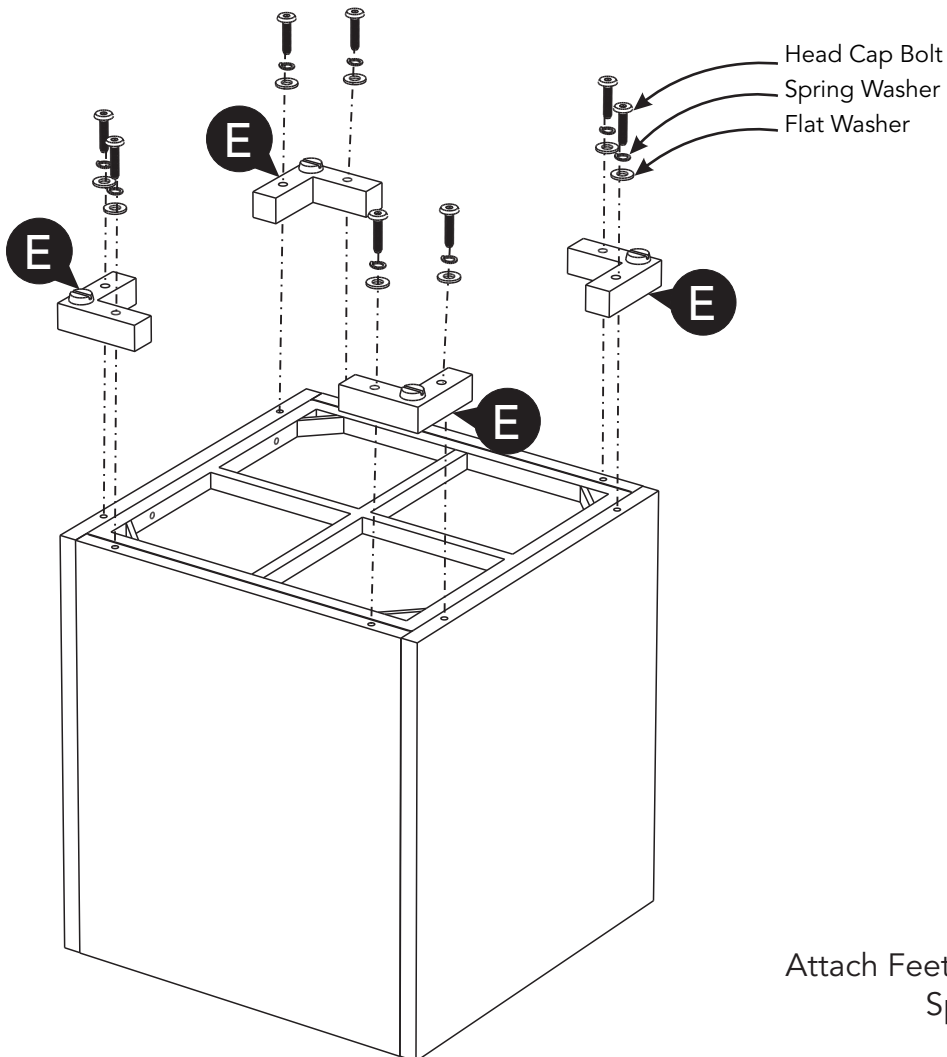
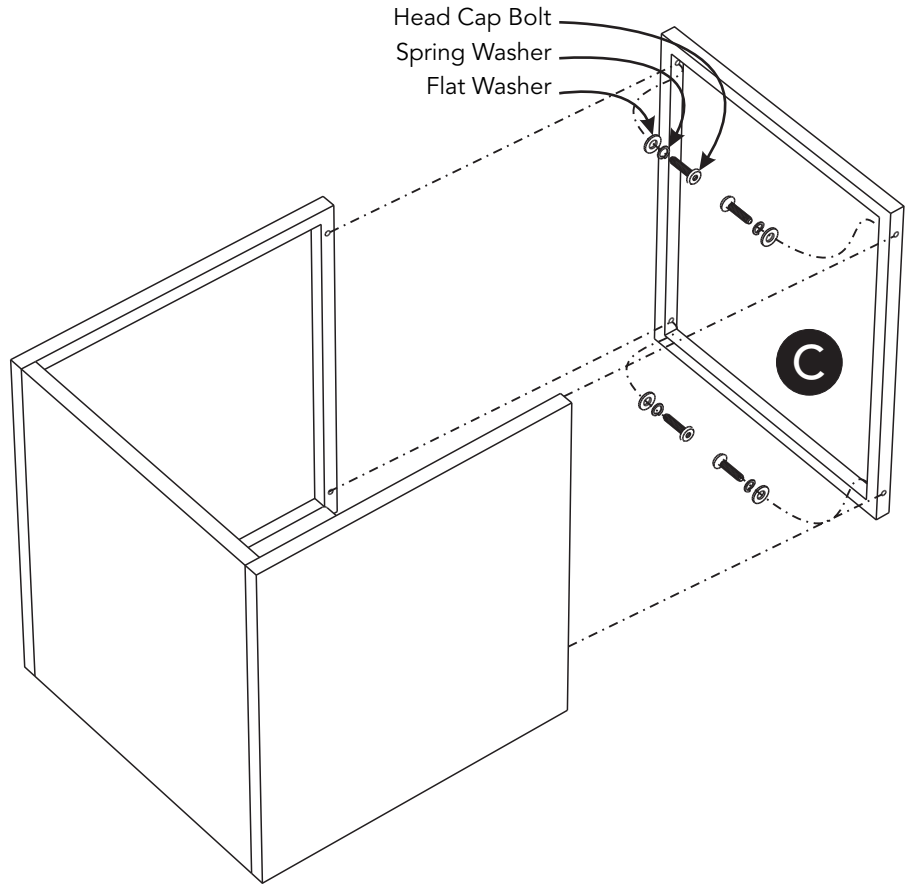


# Assembly Instructions 4/5

## STEP 5

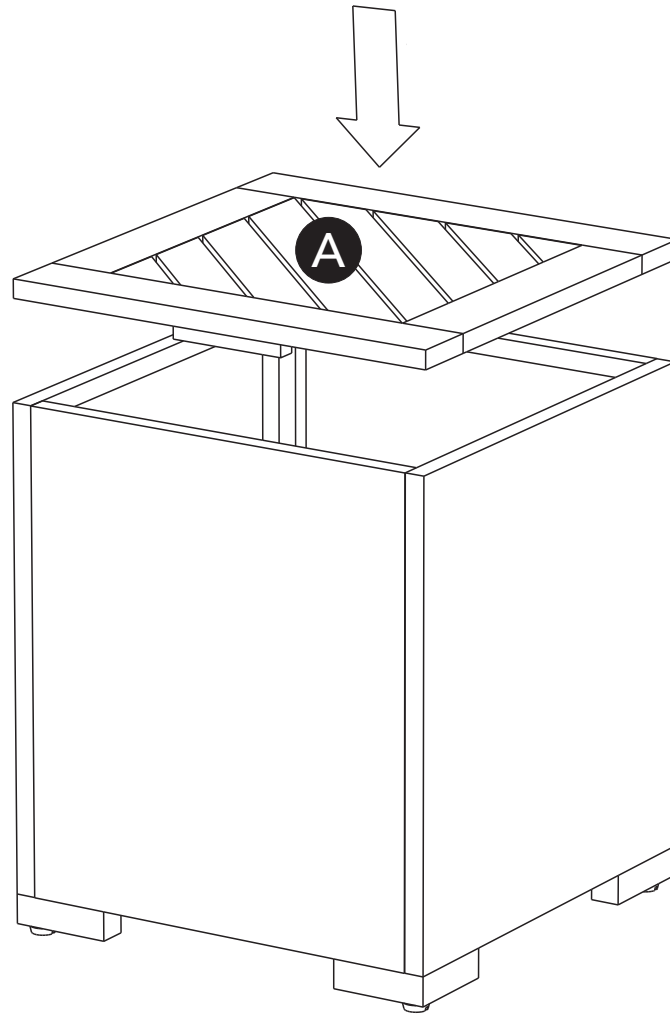
Attach Panel (C) to unit with Head Cap Bolts, Spring Washers and Flat Washers, tightening bolts only halfway.

Tighten all bolts used in Steps 1, 2, 3, 4 and 5.



## STEP 6

Attach Feet (E) to unit with Head Cap Bolts, Spring Washers and Flat Washers. (See Figure 2)



## STEP 7

Turn over unit to its upright position.

Place Top (A) into position.

Level unit by adjusting the adjustable levelers on bottom of unit.  
(See Figure 3)

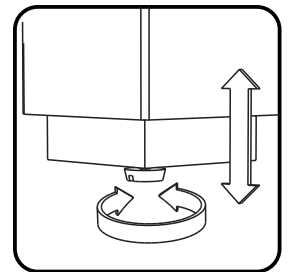


Figure 3

# CARE INSTRUCTIONS

## NEVER

allow liquids to remain on furniture.  
Absorption causes parts to warp  
and split and finishes to delaminate.

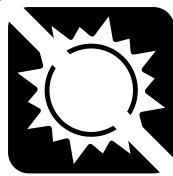
## NEVER

use glass cleaners on  
finished furniture. Ammonia  
chemically attacks the finish.



Do not use power tools  
above 8 volts to assemble.

**PREVENT  
CRACKING**



Do not place  
in direct sunlight.

**PREVENT  
FADING**



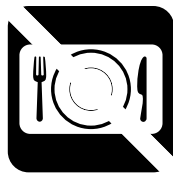
Do not write  
directly on surface.

**PREVENT  
MARKING**



Do not place hot  
objects on surface.

**PREVENT  
FINISH DAMAGE**



Do not use rubber  
based placemats.

**PREVENT  
DISCOLORING**

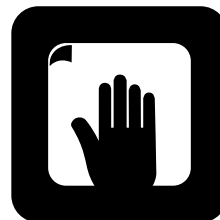


Do not use commercial  
waxes and polishes.

**PREVENT  
YELLOWING**

## CLEAN

with a soft cloth moistened  
in lukewarm soap and water.  
Buff with a dry clean cloth.



**homestyles** will provide replacements free of charge for missing or damaged parts within 1 year of purchase. Digital images of the defective parts may be required. If the product was not purchased from an authorized retailer, **homestyles** is under no obligation to provide replacement parts. Parts are not available for fully assembled items nor are parts available for sale. Replacements for missing or damaged parts may be requested via contact info below.

**homestyles** Customer Service: [www.homestylesfurniture.com](http://www.homestylesfurniture.com),  
[servicedesk@homestylesfurniture.com](mailto:servicedesk@homestylesfurniture.com), 888-680-7460