

ASSEMBLY INSTRUCTION

Item#:638-85001 Rafferty Console

** Please make sure you have all parts indicated below prior to assembly.

| NO | HARDWARE LIST | | Q'TY |
|----|---|--------------|------|
| A |  | FLAT WASHER | 12 |
| B |  | LOCK WASHER | 12 |
| C |  | BOLT | 12 |
| D |  | ALLEN WRENCH | 1 |

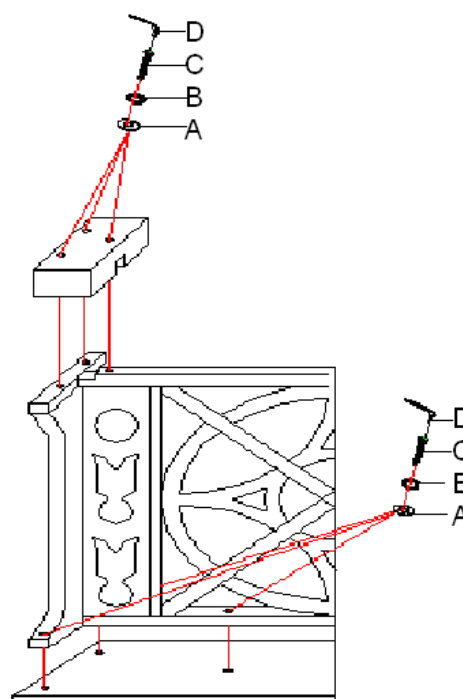
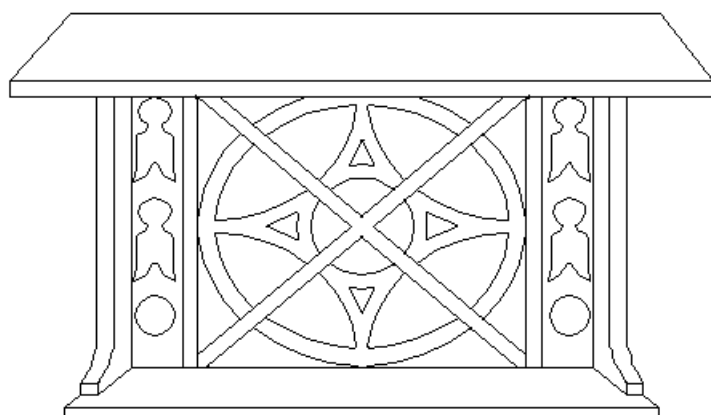


Diagram 1

Assembly Steps:

1. Place table top upside down on a soft surface to prevent from scratching top.
2. Attach the base to the top panel using bolt (C), lock washers (B), flat washers (A), secure by turning with Allen wrench (D) in a clockwise direction. (See diagram 1).
3. Attach the bottom feet to the base using bolt (C), lock washers (B), flat washers (A), secure by turning with Allen wrench (D) in a clockwise direction. (See diagram 1).
4. Turn console upright.

Cleaning Instruction: Clean finished parts with a damp cloth using a mild dishwashing liquid and water solution. Polish the finish with soft cloth and an industry recognized furniture polish.