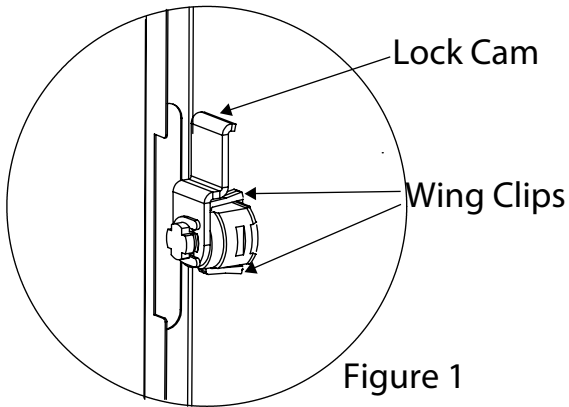


SOHO Storage Cabinet Lock Replacement Instructions

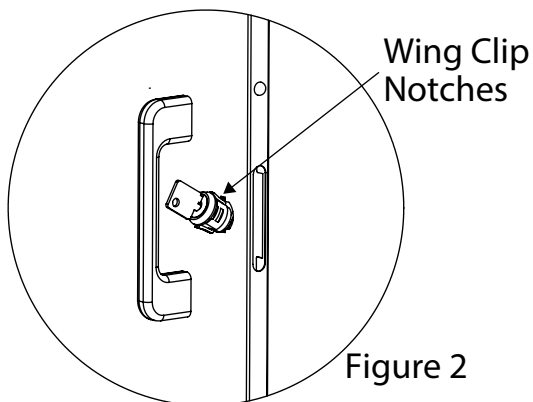


Note: Do not place your fingers behind or slide your fingers along the sheet metal edges.

To replace the lock in your storage cabinet you must first remove the old lock.

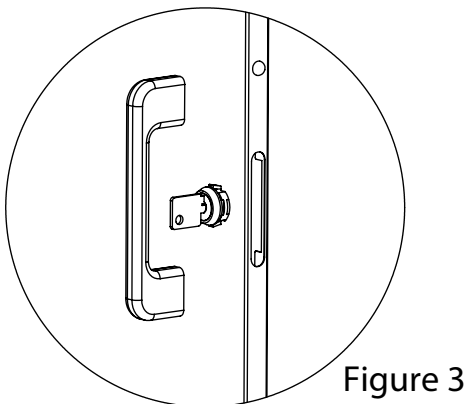
To remove the old lock:

1. Open the door and locate the Wing Clips which hold the lock in place. (Figure 1)
2. With a flathead screwdriver push the Wing Clips toward the lock body and push the lock body forward until the Wing Clip on that side is slightly protruding out of the door front.
3. Again using the flathead screwdriver push the Wing Clip on the other side toward the lock body and push forward until the lock can be removed from the door.

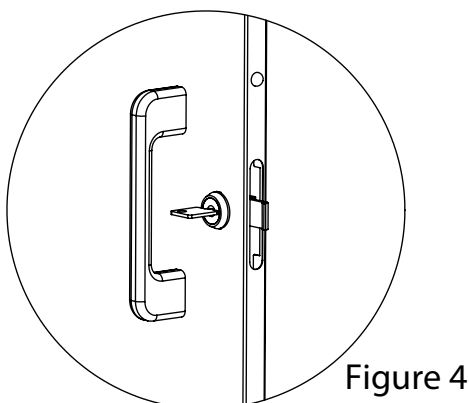


To install the new lock:

1. Make sure that the cam is in the unlocked position by turning the key counterclockwise as far as it will go.



2. Feed the lock cam through the hole in the door front so the Lock Cam is pointing toward the top of the cabinet (Figure 2) and align the Wing Clips with the notches in the door front (Figure 3).



3. Push the lock into the door front until the Wing Clips pass through the door front and snap into place behind the door front (Figure 4).