

AUSTIN PLAYSET

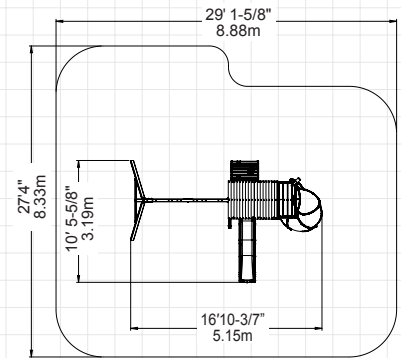


OBSTACLE FREE SAFETY ZONE - 29' 1-5/8" x 27' 4" (8.88m x 8.33m) area requires Protective Surfacing. See page 4.

MAXIMUM VERTICAL FALL HEIGHT - 7' 8" (2.34m)

CAPACITY - 9 Users Maximum, Ages 3 to 10; Weight Limit 110 lbs. (50 kg) per child.

RESIDENTIAL HOME USE ONLY. Not intended for public areas such as schools, churches, nurseries, day cares or parks.



INSTALLATION AND OPERATING INSTRUCTIONS

FOR 24/7 ONLINE PARTS REPLACEMENT

parts.kidkraft.com

KidKraft, Inc.
4630 Olin Road
Dallas, Texas 75244
USA

customerservice@kidkraft.com

1.800.933.0771
972.385.0100

parts.kidkraft.eu

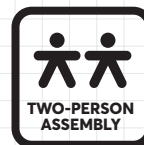
KidKraft Netherlands BV
Olympisch Stadion 8
1076 DE Amsterdam
The Netherlands

europcustomerservice@kidkraft.com

+31 20 305 8620
M-F from 09:00 to 17:30 (GMT+1)

9409085

Rev 02/17/2022



WARNING

To reduce the risk of serious injury or death, please read and follow these instructions. Keep and refer to instructions as needed and pass along to any future owners of this item.

Congratulations on purchasing a KidKraft product!

**Our items are made of high-quality,
durable Cunninghamia Lanceolata wood
from the cypress family.**

**Lumber from these trees are known for
their light weight and excellent strength.
The porosity of this wood allows the
moisture to absorb and evaporate in the
fibers, resisting rot and bugs.**

**Engineered for great play, our products
also go through extensive testing for safety.**

**Plus, our team has developed a series of
proprietary methods for a simpler, more
organized assembly. Less build time and
more play time is our motto!**

**However, during assembly if you have any
questions or concerns, please reach out.
Our Customer Service can help with missing
parts, instructions or maintenance.**



Warnings and Safe Play Instructions



CONTINUOUS ADULT SUPERVISION REQUIRED. Most serious injuries and deaths on playground equipment have occurred while children were unsupervised! Our products are designed to meet mandatory and voluntary safety standards. Complying with all warnings and recommendations in these instructions will reduce the risk of serious or fatal injury to children using this play system. Go over the warnings and safe play instructions regularly with your children and make certain that they understand and follow them. Remember on-site adult supervision is required for children of all ages.



WARNING

SERIOUS HEAD INJURY HAZARD

Installation over concrete, asphalt, dirt, grass, carpet and other hard surface creates a risk of serious injury or death from falls to the ground. Install and maintain shock absorbing material under and around play-set as recommended on page 3 of these instructions.

COLLISION HAZARD

Place play-set on level ground at least 2m from any obstruction such as a garage or house, fences, poles, trees, sidewalks, walls, landscape timbers, rocks, pavement, planters, garden borders, overhanging branches, laundry lines, and electrical wires. (See OBSTACLE FREE SAFETY ZONE on cover)

CHOKING HAZARD/SHARP EDGES & POINTS

Adult assembly required. This product contains small parts and parts with sharp edges and points. Keep parts away from children until fully assembled.

WARNING LABEL

Owners shall be responsible for maintaining the legibility of the warning labels.

STRANGULATION HAZARD

- NEVER allow children to play with ropes, clotheslines, pet leashes, cables, chains or cord-like items when using this play-set or to attach these items to play-set.
- NEVER allow children to wear loose fitting clothing, ponchos, hoods, scarves, capes, necklaces, items with draw-strings, cords or ties when using this play-set.
- NEVER allow children to wear bike or sport helmets when using this play-set.

Failure to prohibit these items, even helmets with chin straps, increases the risk of serious injury and death to children from entanglement and strangulation.

TIP OVER HAZARD

Choose a level location for the equipment. This can reduce the likelihood of the play set tipping over and loose-fill surfacing materials washing away during heavy rains.

DO NOT allow children to play on the play-set until the assembly is complete and the unit is properly anchored.

Never add extra length to chain or rope. The chains or ropes provided are the maximum length designed for the swinging element(s).



WARNING – Safe Play Instructions

- ✓ Observe capacity limitations of your play-set. See front cover.
- ✓ Dress children with well fitting and full foot enclosing footwear.
- ✓ Teach children to sit with their full weight in the center of the swing seat to prevent erratic swing motion or falling off.
- ✓ Check for splintered, broken or cracked wood; missing, loose, or sharp edged hardware. Replace, tighten and or sand smooth as required prior to playing.
- ✓ Verify that suspended climbing ropes, rope ladders, chain or cable are secured at both ends and cannot be looped back on itself as to create an entanglement hazard.
- ✓ On sunny and or hot days, check the slide and other plastic rides to assure that they are not very hot as to cause burns. Cool hot slide and rides with water and wipe dry prior to using.
- ✓ Orientate slide such that it gets the least amount of exposure to the sun.
- ✗ Do not allow children to wear open toe or heel footwear like sandals, flip-flops or clogs.
- ✗ Do not allow children to walk, in front, between, behind or close to moving rides.
- ✗ Do not let children twist swing chains or ropes or loop them over the top support bar. This may reduce the strength of the chain or rope and cause premature failure.
- ✗ Do not let children get off rides while they are in motion.
- ✗ Do not permit climbing on equipment when it is wet.
- ✗ Do not permit rough play or use of equipment in a manner for which it was not intended. Standing on or jumping from the roof, elevated platforms, swings, climbers, ladders or slide can be dangerous.
- ✗ Do not allow children to swing empty rides or seats.
- ✗ Do not allow children to go down slide head first or run up slide.

! Protective Surfacing - Reducing Risk of Serious Head Injury From Falls

One of the most important things you can do to reduce the likelihood of serious head injuries is to install shock-absorbing protective surfacing under and around your play equipment. The protective surfacing should be applied to a depth that is suitable for the equipment height in accordance with ASTM F1292. There are different types of surfacing to choose from; whichever product you select, follow these guidelines:

Loose-Fill Materials

- Maintain a minimum depth of 9 inches of loose-fill materials such as wood mulch/chips, engineered wood fiber (EWF), or shredded/recycled rubber mulch for equipment up to 8 feet high; and 9 inches of sand or pea gravel for equipment up to 5 feet high. NOTE: An initial fill level of 12 inches will compress to about a 9-inch depth of surfacing over time. The surfacing will also compact, displace, and settle, and should be periodically raked and refilled to maintain at least a 9-inch depth.
- Use a minimum of 6 inches of protective surfacing for play equipment less than 4 feet in height. If maintained properly, this should be adequate. (At depths less than 6 inches, the protective material is too easily displaced or compacted.)

NOTE: Do not install home playground equipment over concrete, asphalt, or any other hard surface. A fall onto a hard surface can result in serious injury to the equipment user. Grass and dirt are not considered protective surfacing because wear and environmental factors can reduce their shock absorbing effectiveness. Carpeting and thin mats are not adequate protective surfacing. Ground level equipment -- such as a sandbox, activity wall, playhouse or other equipment that has no elevated play surface -- does not need any protective surfacing.

- Use containment, such as digging out around the perimeter and/or lining the perimeter with landscape edging. Don't forget to account for water drainage.
- Periodically rake, check and maintain the depth of the loose-fill surfacing material. Marking the correct depth on the play equipment support posts will help you to see when the material has settled and needs to be raked and or replenished. Be sure to rake and evenly redistribute the surfacing in heavily used areas.
- Do not install loose fill surfacing over hard surfaces such as concrete or asphalt.

Poured-In-Place Surfaces or Pre-Manufactured Rubber Tiles

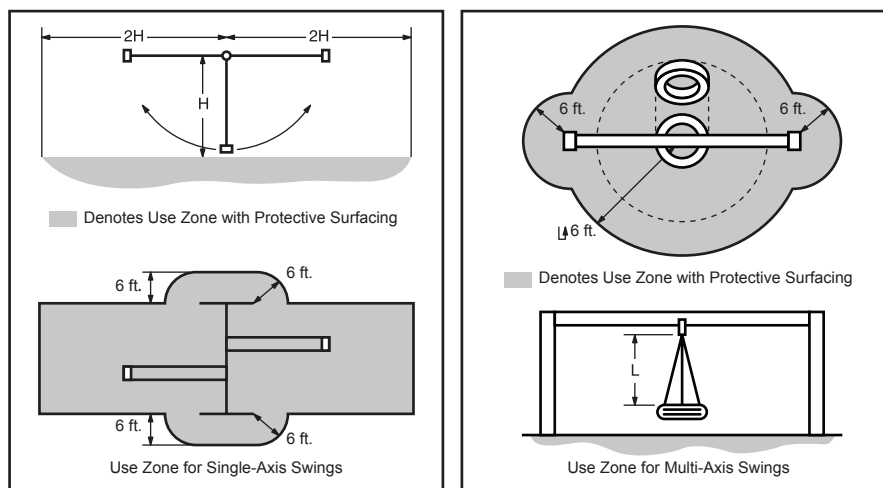
You may be interested in using surfacing other than loose-fill materials - like rubber tiles or poured-in-place surfaces.

- Installations of these surfaces generally require a professional and are not "do-it yourself" projects.
- Review surface specifications before purchasing this type of surfacing. Ask the installer/manufacturer for a report showing that the product has been tested to the following safety standard: ASTM F1292 *Standard Specification for Impact Attenuation of Surfacing Materials within the Use Zone of Playground Equipment*. This report should show the specific height for which the surface is intended to protect against serious head injury. This height should be equal to or greater than the fall height - vertical distance between a designated play surface (*elevated surface for standing, sitting, or climbing*) and the protective surfacing below - of your play equipment.
- Check the protective surfacing frequently for wear.

Placement

Proper placement and maintenance of protective surfacing is essential. Refer to diagram on front cover. Be sure to;

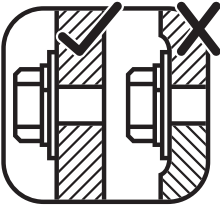
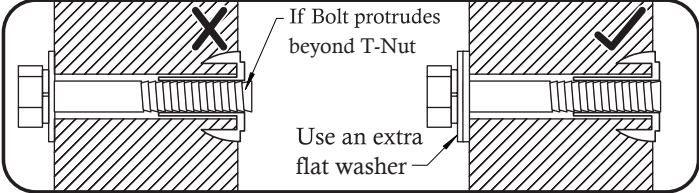
- Extend surfacing at least 6 feet from the equipment in all directions.
- For to-fro swings, extend protective surfacing in front of and behind the swing to a distance equal to twice the height of the top bar from which the swing is suspended.
- For tire swings, extend surfacing in a circle whose radius is equal to the height of the suspending chain or rope, plus 6 feet in all directions.



Instructions for Proper Maintenance

Your KidKraft Play System is designed and constructed of quality materials with your child's safety in mind. As with all outdoor products used by children, it will weather and wear. To maximize the enjoyment, safety and life of your Play Set, it is important that you, the owner, properly maintain it.

Check the following at the beginning of the play season:

<p>HARDWARE:</p> <ul style="list-style-type: none"> ✓ Check metal parts for rust. If found, sand and repaint using a non-lead paint complying with 16 CFR 1303. ✓ Inspect and tighten all hardware. On wood assemblies DO NOT OVER-TIGHTEN as to cause crushing and splintering of wood. ✓ Check for sharp edges or protruding screw threads, add washers if required.   <p>SHOCK ABSORBING SURFACING:</p> <ul style="list-style-type: none"> ✓ Check for foreign objects. Rake and check depth of loose fill protective surfacing materials to prevent compaction and maintain appropriate depth. Replace as necessary. (See Protective Surfacing, page 3) 	<p>GROUND STAKES (ANCHORS):</p> <ul style="list-style-type: none"> ✓ Check for looseness, damage or deterioration. Should firmly anchor unit to ground during use. Re-secure and or replace, if necessary. <p>SWING HANGERS:</p> <ul style="list-style-type: none"> ✓ Check that bolts are secure and tight. Quick clips should be completely closed and threaded clips screwed tight. ✓ If squeaking occurs lubricate bushings with oil or WD-40®. <p>SWINGS, ROPES AND RIDES:</p> <ul style="list-style-type: none"> ✓ Reinstall if removed during cold season. Check all moving parts including swing seats, ropes, chains and attachments for wear, rust and other deterioration. Replace as needed. ✓ Check that ropes are tight, secure at both ends and cannot loop back as to create an entrapment. <p>WOOD PARTS:</p> <ul style="list-style-type: none"> ✓ Check all wood members for deterioration, structural damage and splintering. Sand down splinters and replace deteriorated wood members. As with all wood, some checking and small cracks in grain is normal. ✓ Applying a water repellent or stain (water-based) on a yearly basis is important maintenance to maintain maximum life and performance of the product.
--	---

Check twice a month during play season:

<p>HARDWARE:</p> <ul style="list-style-type: none"> ✓ Inspect for tightness. Must be firmly against, but not crushing the wood. DO NOT OVER-TIGHTEN. This will cause splintering of wood. ✓ Check for sharp edges or protruding screw threads. Add washers if required. 	<p>SHOCK ABSORBING SURFACING:</p> <ul style="list-style-type: none"> ✓ Rake and check depth of loose fill protective surfacing materials to prevent compaction and maintain appropriate depth. Replace as necessary. (See Protective Surfacing, page 3)
---	---

Check once a month during play season:

<p>SWING HANGERS:</p> <ul style="list-style-type: none"> ✓ Check that they are secure and orientated correctly. Hook should rotate freely and perpendicular to support beam. ✓ If squeaking occurs lubricate bushings with oil or WD-40®. 	<p>SWINGS AND RIDES:</p> <ul style="list-style-type: none"> ✓ Check swing seats, all ropes, chains and attachments for fraying, wear, excessive corrosion or damage. Replace if structurally damaged or deteriorated.
--	---

Check at the end of the play season:

<p>SWINGS AND RIDES:</p> <ul style="list-style-type: none"> ✓ To prolong their life, remove swings and store inside when outside temperature is below 32°F/0°C. Below freezing, plastic parts may become more brittle. 	<p>SHOCK ABSORBING SURFACING:</p> <ul style="list-style-type: none"> ✓ Rake and check depth of loose fill protective surfacing materials to prevent compaction and maintain appropriate depth. Replace as necessary. (See Protective Surfacing, page 3)
--	---

If you dispose of your play set: Please disassemble and dispose of your unit so that it does not create any unreasonable hazards at the time it is discarded. Be sure to follow your local waste ordinances.

About Our Wood

KidKraft Premium Play Systems uses only premium playset lumber, ensuring the safest product for your children's use. Although we take great care in selecting the best quality lumber available, wood is still a product of nature and susceptible to weathering which can change the appearance of your set.

What causes weathering? Does it affect the strength of my Play System?

One of the main reasons for weathering is the effects of water (moisture); the moisture content of the wood at the surface is different than the interior of the wood. As the climate changes, moisture moves in or out of the wood, causing tension which can result in checking and or warping. You can expect the following due to weathering. These changes will not affect the strength of the product:

1. **Checking** is surface cracks in the wood along the grain. A post (4" x 4") will experience more checking than a board (1" x 4") because the surface and interior moisture content will vary more widely than in thinner wood.
2. **Warping** results from any distortion (twisting, cupping) from the original plane of the board and often happens from rapid wetting and drying of the wood.
3. **Fading** happens as a natural change in the wood color as it is exposed to sun-light and will turn a grey over time.

How can I reduce the amount of weathering to my Play System?

At the factory we have coated the wood with a water repellent or stain. This coating decreases the amount of water absorption during rain or snow thus decreasing the tension in the wood. Sunlight will break down the coating, so we recommend applying a water repellent or stain on a yearly basis (see your local stain and paint supplier for a recommended product).

Most weathering is just the normal result of nature and will not affect safe play and enjoyment for your child. However if you are concerned that a part has experienced a severe weathering problem please call our consumer relations department for further assistance.

Complete and mail registration card to receive important product notifications and assure prompt warranty service.

KidKraft Limited Warranty

MISSING OR DAMAGED PARTS:

KidKraft will replace any parts within 90 days from date of purchase found to be missing from or damaged in the original packaging. See Fig.1

Fig. 1	<u>Product Age (All Parts)</u> 0-90 Days from date of purchase	<u>Consumer Pays</u> \$0 for Part + Free Shipping
--------	---	--

DEFECTS IN MATERIAL AND WORKMANSHIP:

KidKraft warrants that this product is free from defects in materials and workmanship for a period of one (1) year from the original date of purchase (dated sales receipt and/or product registration is required). This one (1) year warranty covers all parts including wood, hardware, and all accessories (Such as swings, rides, and slides). See Fig. 2

Fig. 2	<u>Product Age (All Parts)</u> 91 Days to 1 Year	<u>Consumer Pays</u> \$0 for Part + Free Shipping
--------	---	--

WOOD ROT, DECAY, AND INSECT DAMAGE:

All wood carries a five (5) year warranty against rot, decay, and insect damage (dated sales receipt and/or product registration is required). Refer to the schedule below for charges associated with replacement of wood parts under this **Limited Warranty**. See Fig. 3

Fig. 3	<u>Product Age (Wood Parts)</u> 0 Days to 1 Year After 1 Year to 5 Year Over 5 Years	<u>Consumer Pays</u> \$0 for Part + Free Shipping \$0 for Part + Shipping & Handling 100% for Part (if available) + Shipping & Handling
--------	---	--

This warranty applies to the original owner and registrant and is non-transferable. Regular maintenance is required to ensure the integrity of this product. Failure by the owner to maintain the product according to the maintenance requirements may void this warranty.

This Limited Warranty does NOT cover:

- Any inspection cost
- Labor and/or costs for replacement of any defective item(s), including but not limited to, professional installer costs
- Incidental or consequential damages, including but not limited to, as a result of set relocation, move and/or reinstall
- Cosmetic defects which do not affect performance or integrity of a part or the entire product
- Vandalism, improper use or installation, or acts of nature, including but not limited to, high winds, fire, and flood
- Minor twisting, warping, checking, or any natural occurring properties of wood that do not affect performance or integrity.
- Any KidKraft product purchased, including but not limited to, a non-approved retailer, auction houses, second-hand, and as-is clearance items.

KidKraft products have been designed for safety and quality. Modifications made to the original product may damage the structural integrity of the unit leading to failure and possible injury. KidKraft cannot assume any responsibility for the modified products. Furthermore, modifications void all warranties.

This product is warranted for **RESIDENTIAL USE ONLY**. Under no circumstance should a KidKraft product be used in public settings such as schools, churches, playgrounds, parks, home and professional day cares and the like. Such use may lead to product failure and potential injury. Public use will void this warranty. KidKraft disclaims all other representations and warranties of any kind, express or implied.

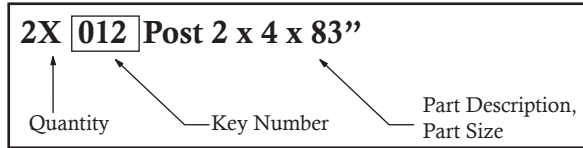
Keys to Assembly Success

Tools Required

<ul style="list-style-type: none"> • Tape Measure • Carpenters Level • Carpenters Square • Claw Hammer • Standard or Cordless Drill 	<ul style="list-style-type: none"> • #1 Phillips, #2 Robertson and Screwdriver • Ratchet with extension (1/2" & 9/16" sockets) 	<ul style="list-style-type: none"> • Open End Wrench (1/2" & 9/16") • Adjustable Wrench • 1/8" & 3/16" Drill Bits 	<ul style="list-style-type: none"> • 3/16" Hex Key • 8' Step Ladder • Safety Glasses • Adult Helpers • Pencil
--	--	--	--

Part Identification Key

On each page, you will find the parts and quantities required to complete the assembly step illustrated on that page. Here is a sample.



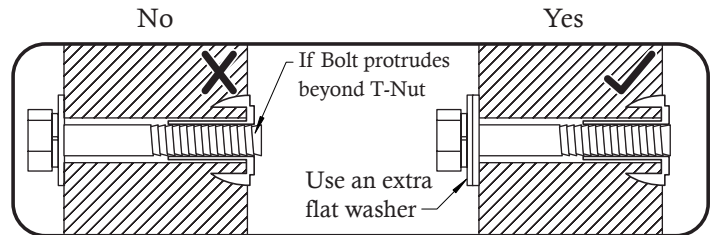
Symbols

Throughout these instructions symbols are provided as important reminders for proper and safe assembly.

<p>This identifies information that requires special attention. Improper assembly could lead to an unsafe or dangerous condition.</p>	<p>Check that set or assembly is properly level before proceeding.</p> <p>Use Level</p>
<p>Use Help</p> <p>Where this is shown, 2 or 3 people are required to safely complete the step. To avoid injury or damage to the assembly make sure to get help!</p>	<p>Pre-drill 1/8" & 3/16" Bit</p> <p>Pre-drill a pilot hole before fastening screw or lag to prevent splitting of wood.</p>
<p>Measure Distance</p> <p>Use a measuring tape to assure proper location.</p>	<p>Tighten Bolts</p> <p>This indicates time to tighten bolts, but not too tight! Do not crush the wood. This may create splinters and cause structural damage.</p>
<p>Check that assembly is square before tightening bolts.</p> <p>Square Assembly</p>	

CAUTION – Protrusion Hazard

Once the assembly is tightened, watch for exposed threads. If a thread protrudes from the T-Nut, remove the bolt and add washers to eliminate this condition. Extra washers have been provided for this purpose.

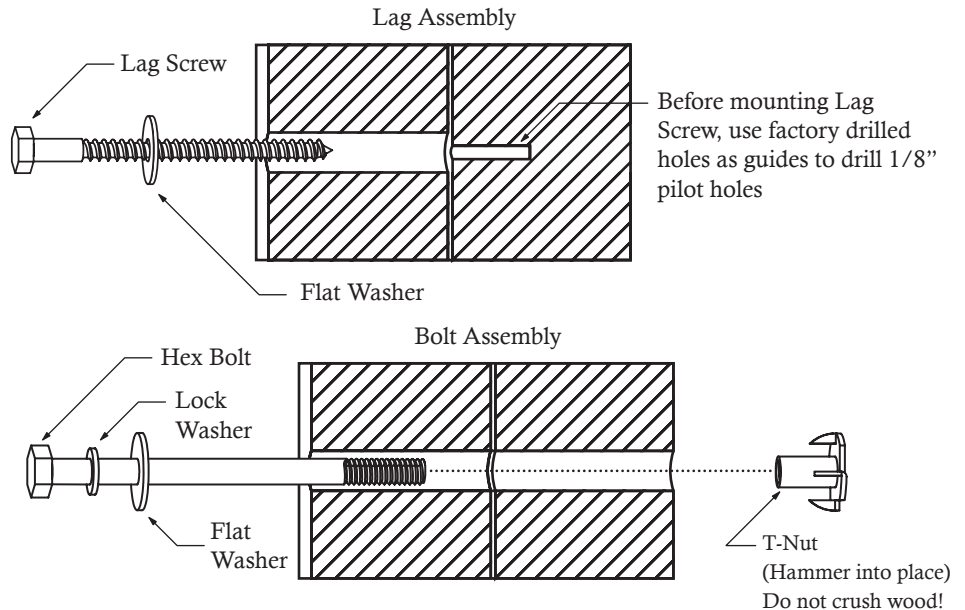


Proper Hardware Assembly

Lag screws require drilling pilot holes to avoid splitting wood. Only a flat washer is required. For ease of installation liquid soap can be used on all lag-type screws.

For bolts, tap T-Nut into hole with hammer. Insert the hex bolt through lock washer first then flat washer then hole. Because the assemblies need to be squared do not completely tighten until instructed. Pay close attention to diameter of the bolts. 5/16" is slightly larger than 1/4".

Note: Wafer head bolts with blue lock tight or a bolt with a Ny-Lok nut do NOT require a lock washer.



Part Identification (Reduced Part Size) - Box 1

2x - **9755** - 31.8 x 76.2 x 1765.3 mm - 3599755



2x - **9756** - 31.8 x 63.5 x 1054.1 mm - 3599756



4x - **9757** - 31.8 x 76.2 x 920.8 mm - 3599757



1x - **9758** - 31.8 x 76.2 x 920.8 mm - 3599758



1x - **9759** - 31.8 x 76.2 x 920.8 mm - 3599759



1x - **9760** - 31.8 x 76.2 x 1092.4 mm - 3599760



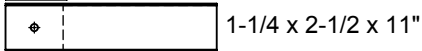
1x - **9761** - 31.8 x 76.2 x 1092.4 mm - 3599761



2x - **9762** - 31.8 x 38.1 x 1054.1 mm - 3599762



2x - **9764** - 31.8 x 63.5 x 279.4 mm - 3599764



4x - **9765** - 25.4 x 30 x 279.4 mm - 3599765



4x - **9769** - 25.4 x 31.8 x 328.2 mm - 3599769



4x - **9770** - 31.8 x 38.1 x 690.2 mm - 3599770



2x - **9774** - 31.8 x 60.3 x 404.8 mm - 3599774



1x - **9775** - 31.8 x 63.5 x 906.1 mm - 3599775



2x - **9777** - 38.1 x 38.1 x 1154 mm - 3599777



1x - **9778** - 31.8 x 76.2 x 1160 mm - 3599778



2x - **9779** - 31.8 x 76.2 x 381 mm - 3599779



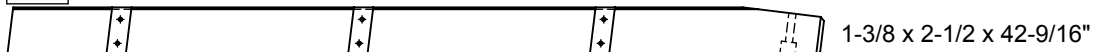
1x - **9781** - 25.4 x 50.8 x 296 mm - 3589781



2x - **9783** - 38.1 x 63.5 x 1320.8 mm - 3589783



1x - **9785** - 34.9 x 63.5 x 1080.4 mm - 3589785



Part Identification (Reduced Part Size) - Box 1

1x - [9786] - 34.9 x 63.5 x 1080.4 mm - 3589786



1-3/8 x 2-1/2 x 42-9/16"

2x - [9787] - 31.8 x 50.8 x 480 mm - 3599787



1-1/4 x 2 x 18-7/8"

4x - [9788] - 15.9 x 76.2 x 628.7 mm - 3599788



5/8 x 3 x 24-3/4"

5x - [9790] - 15.9 x 76.2 x 910.6 mm - 3599790



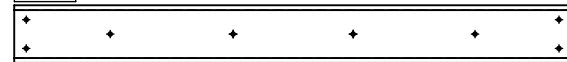
5/8 x 3 x 35-7/8"

1x - [9794] - 31.8 x 76.2 x 357.1 mm - 3599794



1-1/4 x 3 x 14-1/16"

1x - [9795] - 15.9 x 76.2 x 736.6 mm - 3599795



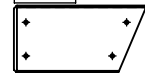
5/8 x 3 x 29"

2x - [9798] - 15.9 x 88.9 x 138.1 mm - 3599798



5/8 x 3-1/2 x 5-7/16"

2x - [9799] - 15.9 x 88.9 x 175.8 mm - 3599799



5/8 x 3-1/2 x 6-15/16"

2x - [9800] - 15.9 x 88.9 x 213.6 mm - 3599800



5/8 x 3-1/2 x 8-7/16"

2x - [9801] - 15.9 x 88.9 x 251.3 mm - 3599801



5/8 x 3-1/2 x 9-7/8"

1x - [2606] - 23.8 x 82.6 x 362 mm - 3592606



15/16 x 3-1/4 x 14-1/4"

1x - [2607] - 31.8 x 76.2 x 558.8 mm - 3592607



1-1/4 x 3 x 22"

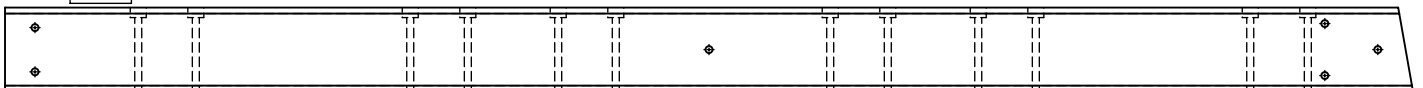
1x - [9680] - 31.8 x 76.2 x 489 mm - 3599680



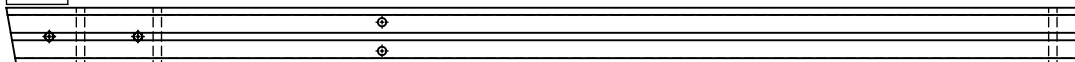
1-1/4 x 3 x 19-1/4"

1x - [2614] - 76.2 x 133.4 x 2235.2 mm - 3592614

3 x 5-1/4 x 88"

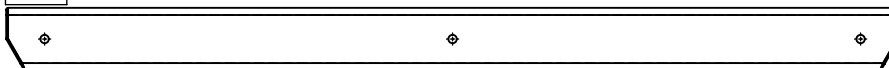


1x - [9831] - 76.2 x 76.2 x 1425.8 mm - 3599831



3 x 3 x 56-1/8"

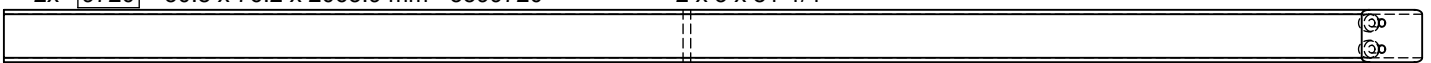
1x - [2616] - 23.8 x 82.6 x 1181.1 mm - 3592616



15/16 x 3-1/4 x 46-1/2"

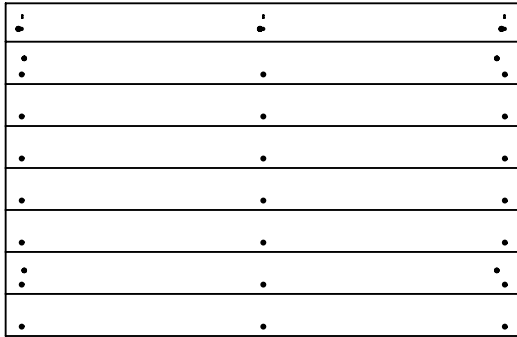
2x - [9720] - 50.8 x 76.2 x 2063.9 mm - 3599720

2 x 3 x 81-1/4"

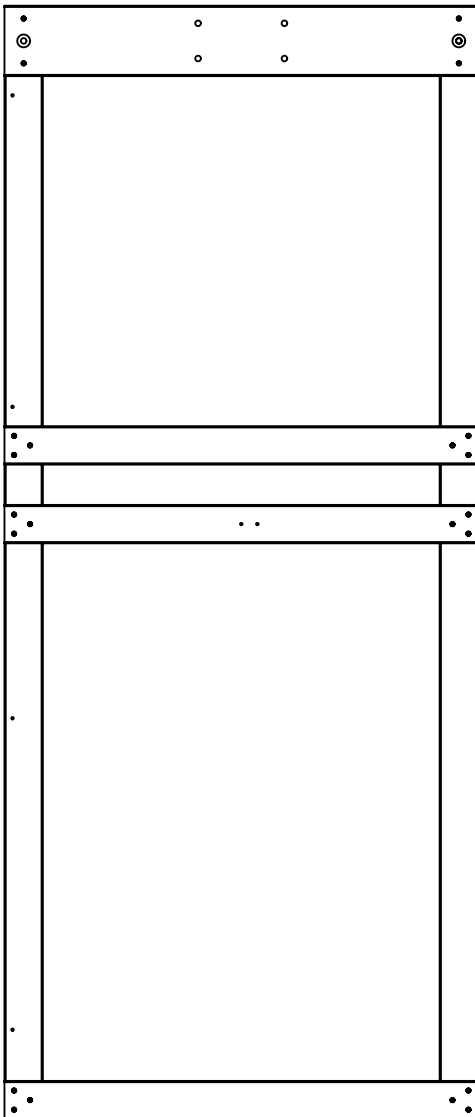


Part Identification (Reduced Part Size) - Box 1

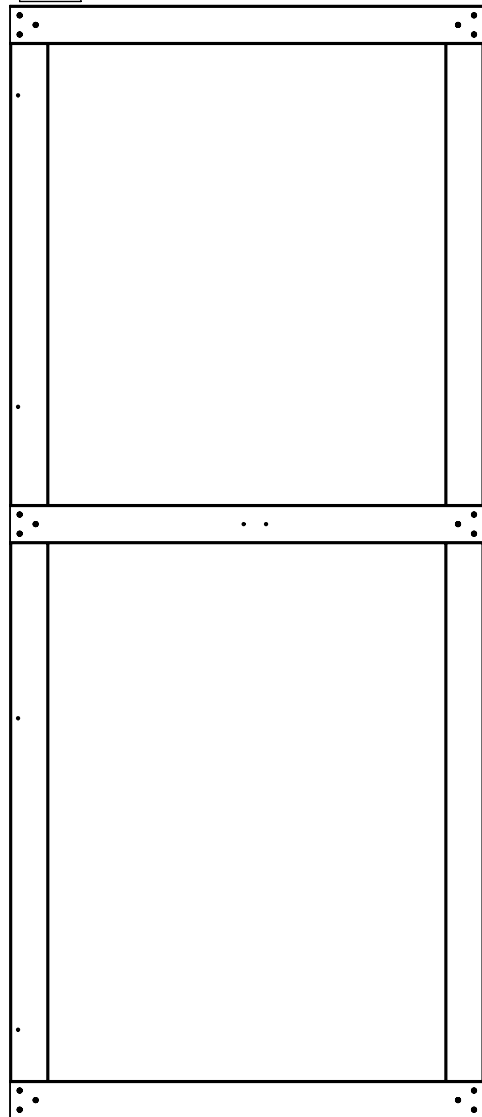
1-1/4 x 26 x 40"
 1x - [9304] - 31.8 x 660.4 x 1016mm - 37589304



1-1/4 x 37 x 87"
 1x - [9301] - 31.8 x 939.8 x 2209.8mm - 37599301



1-1/4 x 37 x 87"
 1x - [9303] - 31.8 x 939.8 x 2209.8mm - 37599303



Part Identification (Reduced Part Size) - Box 2

2x - **9763** - 31.8 x 50.8 x 614.6 mm - 3599763



4x - **9766** - 25.4 x 50.8 x 971.6 mm - 3599766



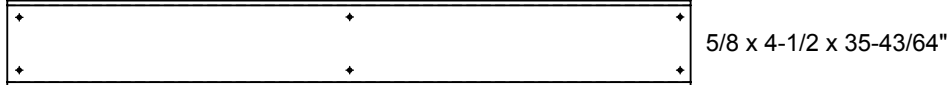
10x - **9767** - 15.9 x 76.2 x 842.5 mm - 3599767



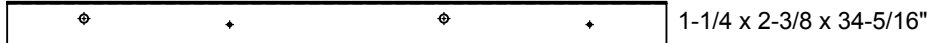
1x - **9768** - 15.9 x 76.2 x 842.5 mm - 3599768



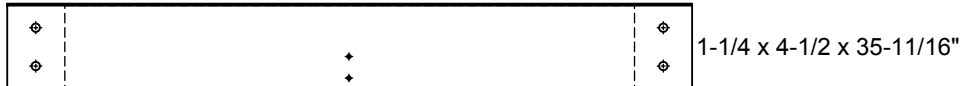
20x - **9771** - 15.9 x 114.3 x 906 mm - 3589771



3x - **9772** - 31.8 x 60.3 x 872.2 mm - 3599772



1x - **9773** - 31.8 x 114.3 x 906.1 mm - 3599773



1x - **9776** - 31.8 x 60.3 x 908 mm - 3599776



2x - **9780** - 25.4 x 50.8 x 853.2 mm - 3589780



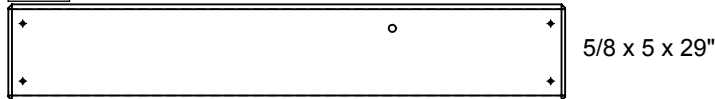
2x - **9802** - 25.4 x 50.8 x 346.9 mm - 3589802



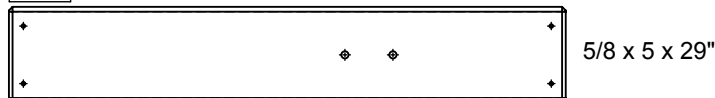
2x - **9782** - 25.4 x 50.8 x 254 mm - 3589782



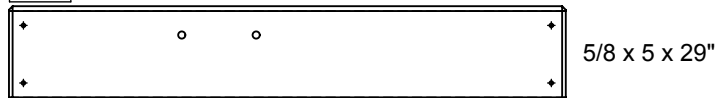
3x - **9784** - 15.9 x 127 x 736.6 mm - 3589784



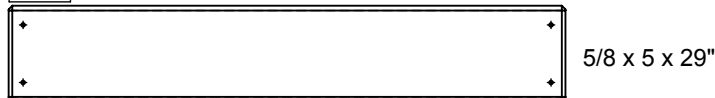
2x - **9827** - 15.9 x 127 x 736.6 mm - 3589827



1x - **9828** - 15.9 x 127 x 736.6 mm - 3589828



1x - **9829** - 15.9 x 127 x 736.6 mm - 3589829



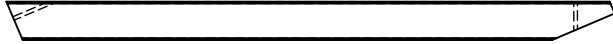
Part Identification (Reduced Part Size) - Box 2

1x - **9789** - 15.9 x 88.9 x 906 mm - 3589789



5/8 x 3-1/2 x 35-43/64"

2x - **9791** - 31.8 x 50.8 x 804.7 mm - 3599791



1-1/4 x 2 x 31-11/16"

2x - **9792** - 31.8 x 101.6 x 785.4 mm - 3599792



1-1/4 x 4 x 30-15/16"

1x - **9793** - 31.8 x 82.6 x 912.4 mm - 3599793



1-1/4 x 3-1/4 x 35-15/16"

1x - **9830** - 31.8 x 82.6 x 912.4 mm - 3599830



1-1/4 x 3-1/4 x 35-15/16"

1x - **9796** - 31.8 x 76.2 x 790 mm - 3599796



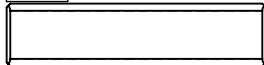
1-1/4 x 3 x 31-1/8"

1x - **9797** - 15.9 x 88.9 x 1022.4 mm - 3589797



5/8 x 3-1/2 x 40-1/4"

3x - **9571** - 23.80 x 82.60 x 343 mm - 3589571



15/16 x 3-1/4 x 13-1/2"

2x - **9572** - 15.90 x 76.20 x 374.60 mm - 3589572

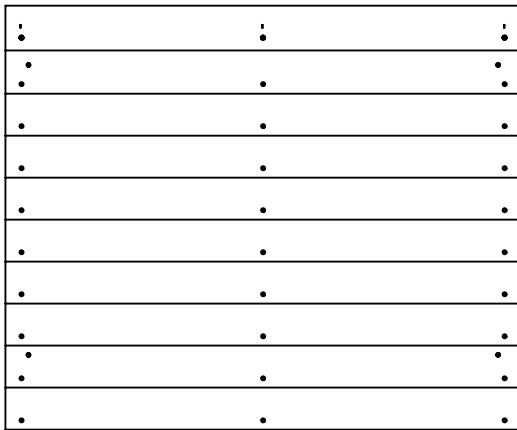


5/8 x 3 x 14-3/4"

Part Identification (Reduced Part Size) - Box 2

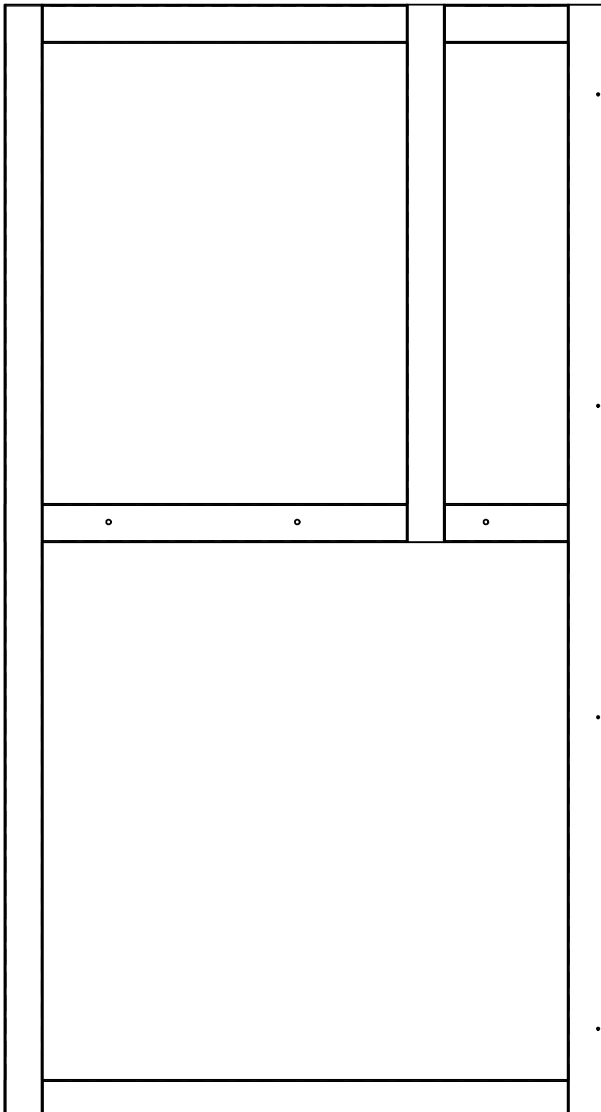
1-1/4 x 33-1/8 x 40"

1x - [9305] - 31.8 x 841.4 x 1016mm - 37589305



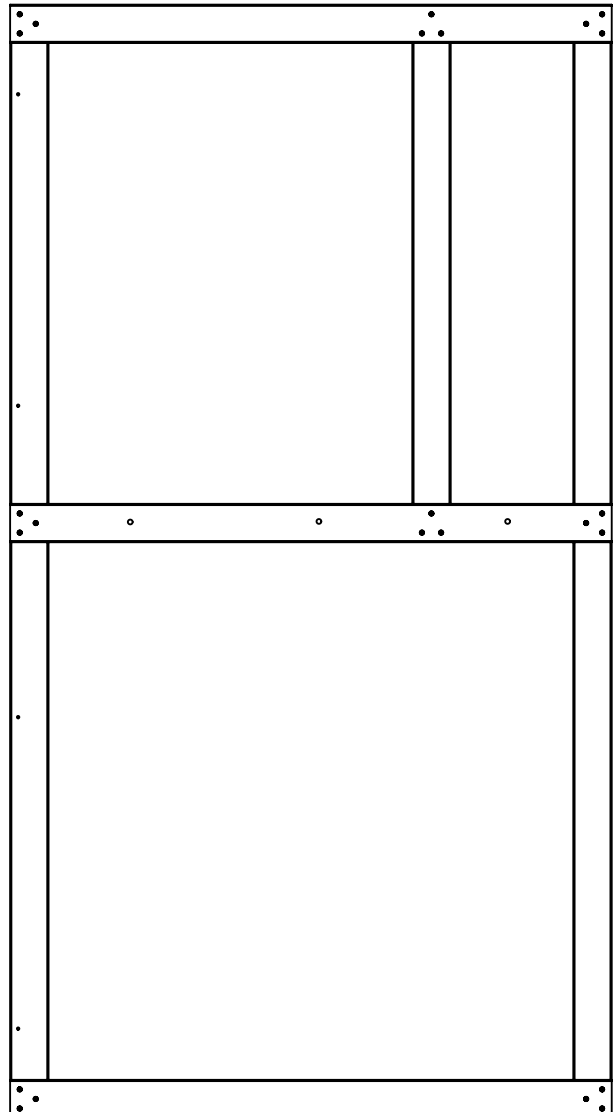
1-1/4 x 47 x 87"

1x - [9300] - 31.8 x 1193.8 x 2209.8 - 37599300



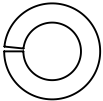
1-1/4 x 47 x 87"

1x - [9302] - 31.8 x 1193.8 x 2209.8 - 37599302



Hardware Identification (Actual Size)

40x **LW2** - 5/16" - 51303300
7.9mm



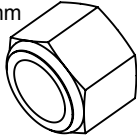
12x **LW1** - 1/4" - 51303200
6.4mm



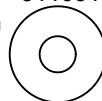
64x **LN1** - 1/4" - 54303200
6.4mm



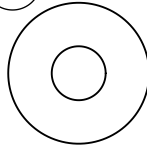
24x **LN2** - 5/16" - 54303300
7.9mm



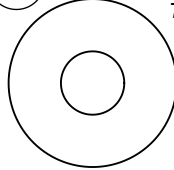
9x **FW0** - 3/16" - 51103100
4.8mm



6x **FW1** - 1/4" - 51103200
6.4mm



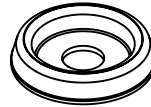
99x **FW2** - 5/16" - 51103300
7.9mm



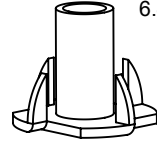
26x **FW3** - #8 - 51003500



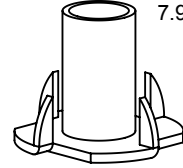
8x **FW6** - #12 - 9299500



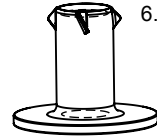
3x **TN1** - 1/4" - 54503200
6.4mm



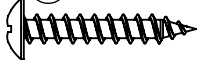
49x **TN2** - 5/16" - 54503300
7.9mm



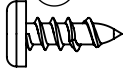
9x **BN1** - 1/4" - 54803200
6.4mm



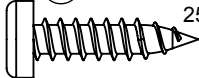
86x **S0** - #8 x 7/8" - 52933505
22.2mm



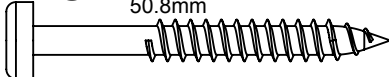
40x **S37** - #7 x 5/8" - 52433009
15.8mm



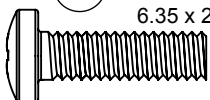
15x **S6** - #12 x 1" - 52433610
25.4mm



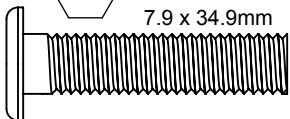
50x **S7** - #12 x 2" - 52433620
50.8mm



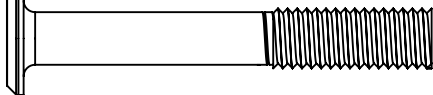
11x **PB6** - 1/4 x 1" - 53413210
6.35 x 25.4mm



30x **WB2** - 5/16 x 1-3/8" - 53613316
7.9 x 34.9mm



1x **WB9** - 5/16 x 2-1/8" - 53613324
7.9 x 54mm



11x **WB10** - 5/16 x 2-5/8" - 53613329
7.9 x 66.6mm



8x **S41** - #8 x 7/8" - 52043505
22.2mm



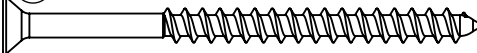
261x **S20** - #8 x 1-3/8" - 52043516
34.9mm



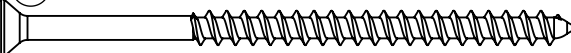
8x **S11** - #8 x 2" - 52043520
50.8mm



79x **S3** - #8 x 2-1/2" - 52043522
63.5mm



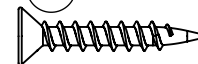
34x **S4** - #8 x 3" - 52043530
76.2mm



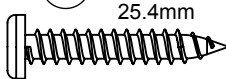
12x **S24** - #10 x 4" - 52043940
101.6mm



4x **S18** - #6 x 1" - 52013910
25.4mm



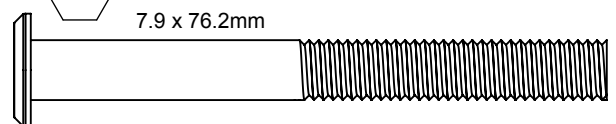
3x **S10** - #8 x 1" - 52433510
25.4mm



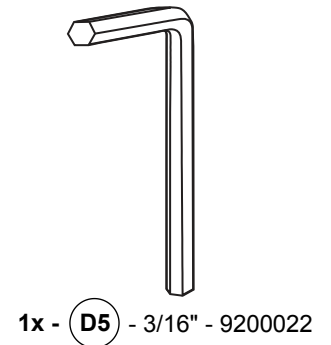
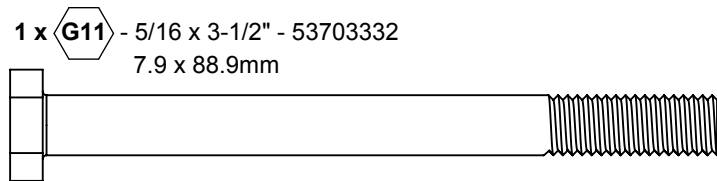
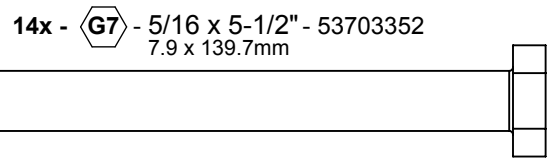
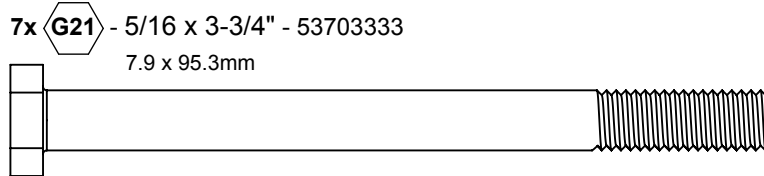
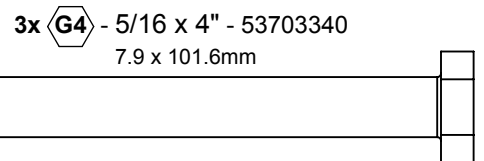
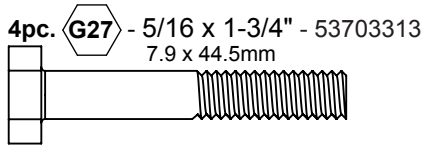
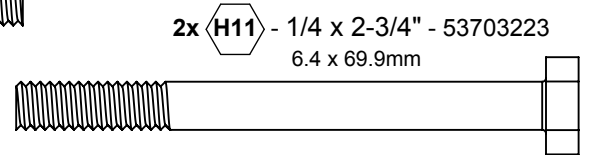
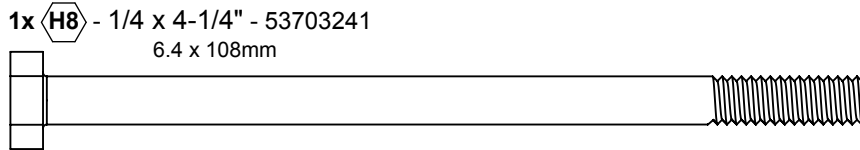
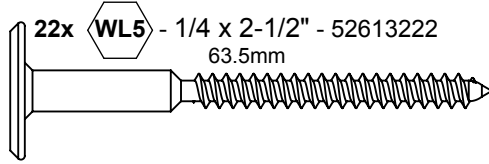
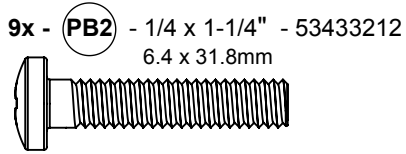
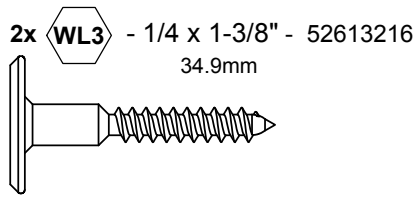
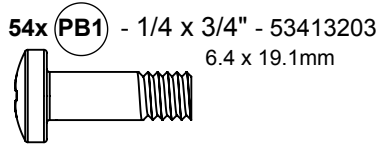
4x **S33** - #8 x 1" - 52043510
25.4mm



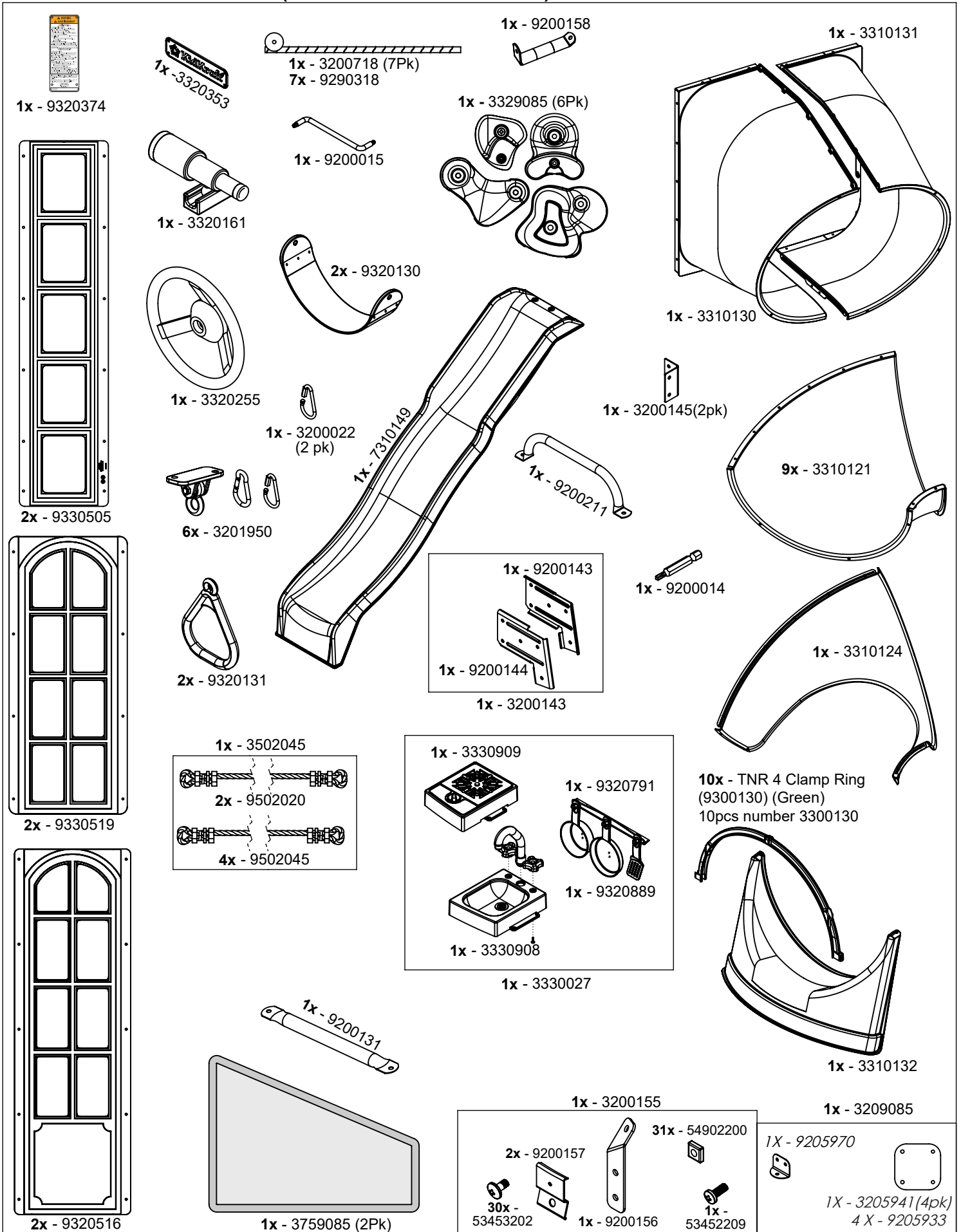
3x **WB7** - 5/16 x 3" - 53613330
7.9 x 76.2mm



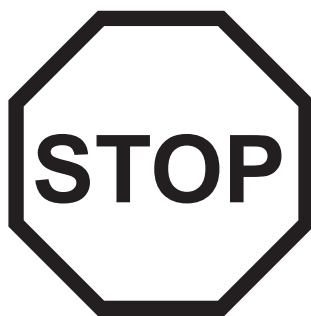
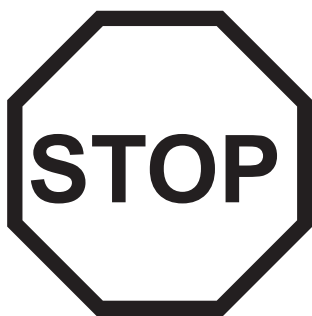
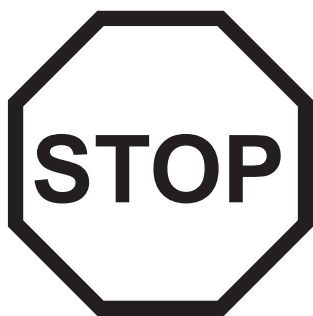
Hardware Identification (Actual Size)



Part Identification (Reduced Part Size)

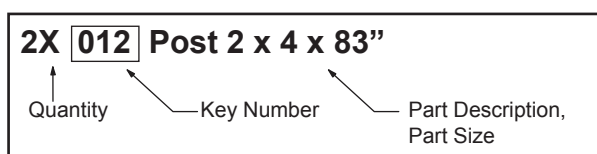


Step 1: Inventory Parts - Read This Before Starting Assembly



A. This is the time for you to inventory all your hardware, wood and accessories, referencing the parts identification sheets. This will assist you with your assembly.

- The wood pieces will have the key number stamped on the ends of the boards. Organize the wood pieces by step, as per the key numbering system below.



- Please refer to Page 8 for proper hardware assembly.
- Each step indicates which bolts and/or screws you will need for assembly, as well as any flat washers, lock washers, t-nuts or lock nuts.

B. If there are any missing or damaged pieces or you need assistance with assembly please contact the consumer relations department directly. Call us before going back to the store.

customerservice@kidkraft.com
 Online Parts Replacement: parts.kidkraft.com
 To warranty your product: kidkraft.com/warranty/
 Customer Service:
 1(800) 933-0771 or (972) 385-0100

Europe Customer Service: +31 (0)20 305 8620
 europecustomerservice@kidkraft.com
 EU Online Parts Replacement: parts.kidkraft.eu

C. Read the assembly manual completely, paying special attention to EN71 and ASTM warnings; notes; and safety/maintenance information on pages 1 - 8.

D. Before you discard your cartons fill out the form below.

- The Batch # is located on the end of each carton. The tracking number is located on the KidKraft ID Plaque (9320374).
- Please retain this information for future reference. You will need this information if you contact the Consumer Relations Department.

MODEL NUMBER: F29085

BATCH #: _____ (Box 1)

BATCH #: _____ (Box 4)

BATCH #: _____ (Box 2)

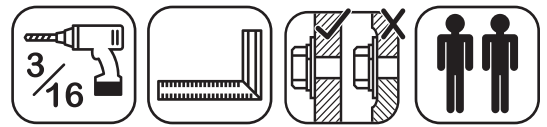
BATCH #: _____ (Box 5)

BATCH #: _____ (Box 3)

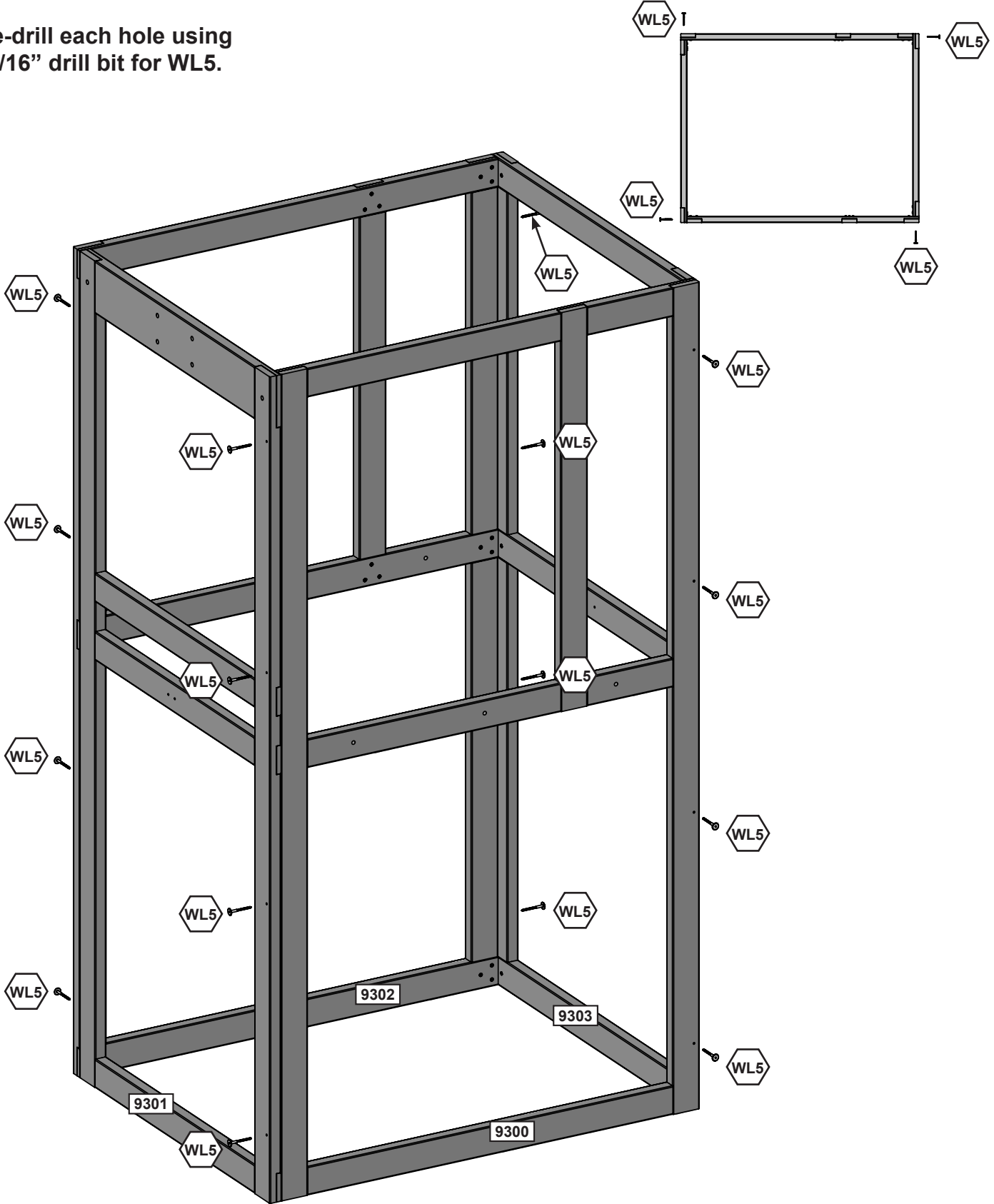
BATCH #: _____ (Box 6)

TRACKING NUMBER (from ID Plaque): _____

Step 2



Pre-drill each hole using a 3/16" drill bit for WL5.



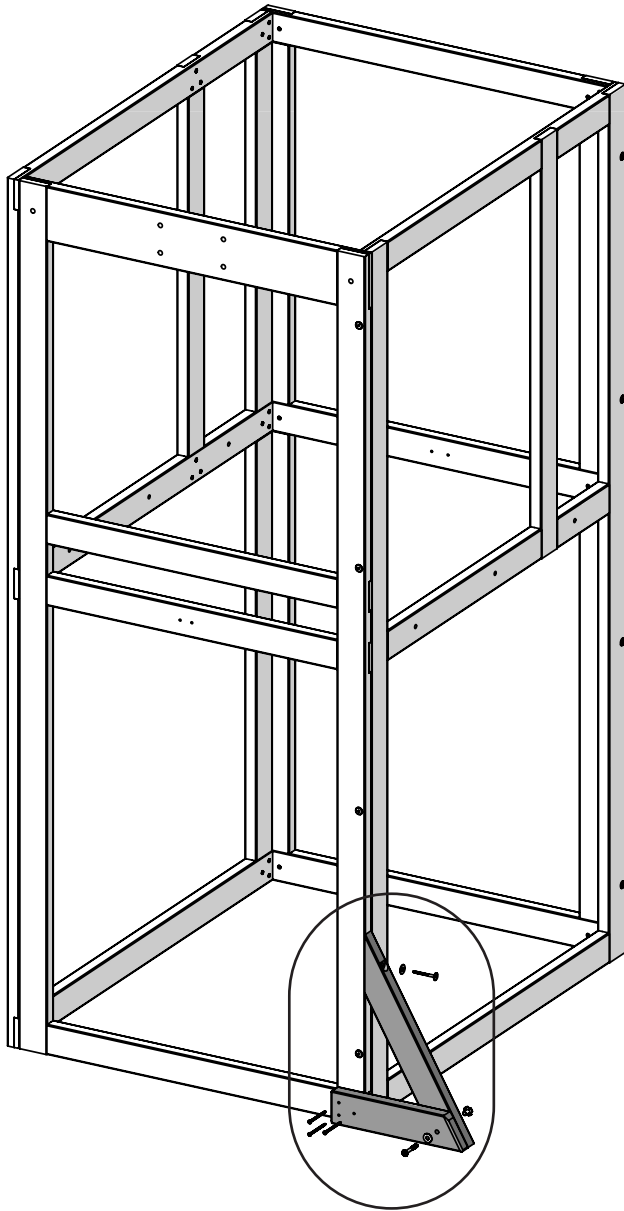
Wood Parts

- 1 x 9300 31.8 x 1193.8 x 2209.8 mm (1-1/4 x 47 x 87")
- 1 x 9301 31.8 x 939.8 x 2209.8 mm (1-1/4 x 37 x 87")
- 1 x 9302 31.8 x 1193.8 x 2209.8 mm (1-1/4 x 47 x 87")
- 1 x 9303 31.8 x 939.8 x 2209.8 mm (1-1/4 x 37 x 87")

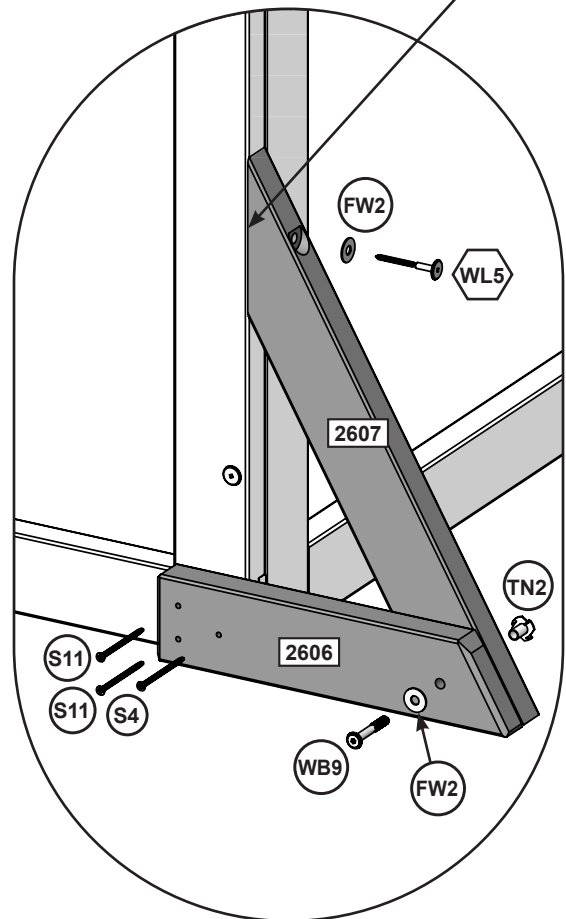
Hardware

- 16 x WL5 6.4 x 63.5 mm (1/4 x 2-1/2")

Step 3



Pre-drill hole using a 3/16" drill bit for WL5.



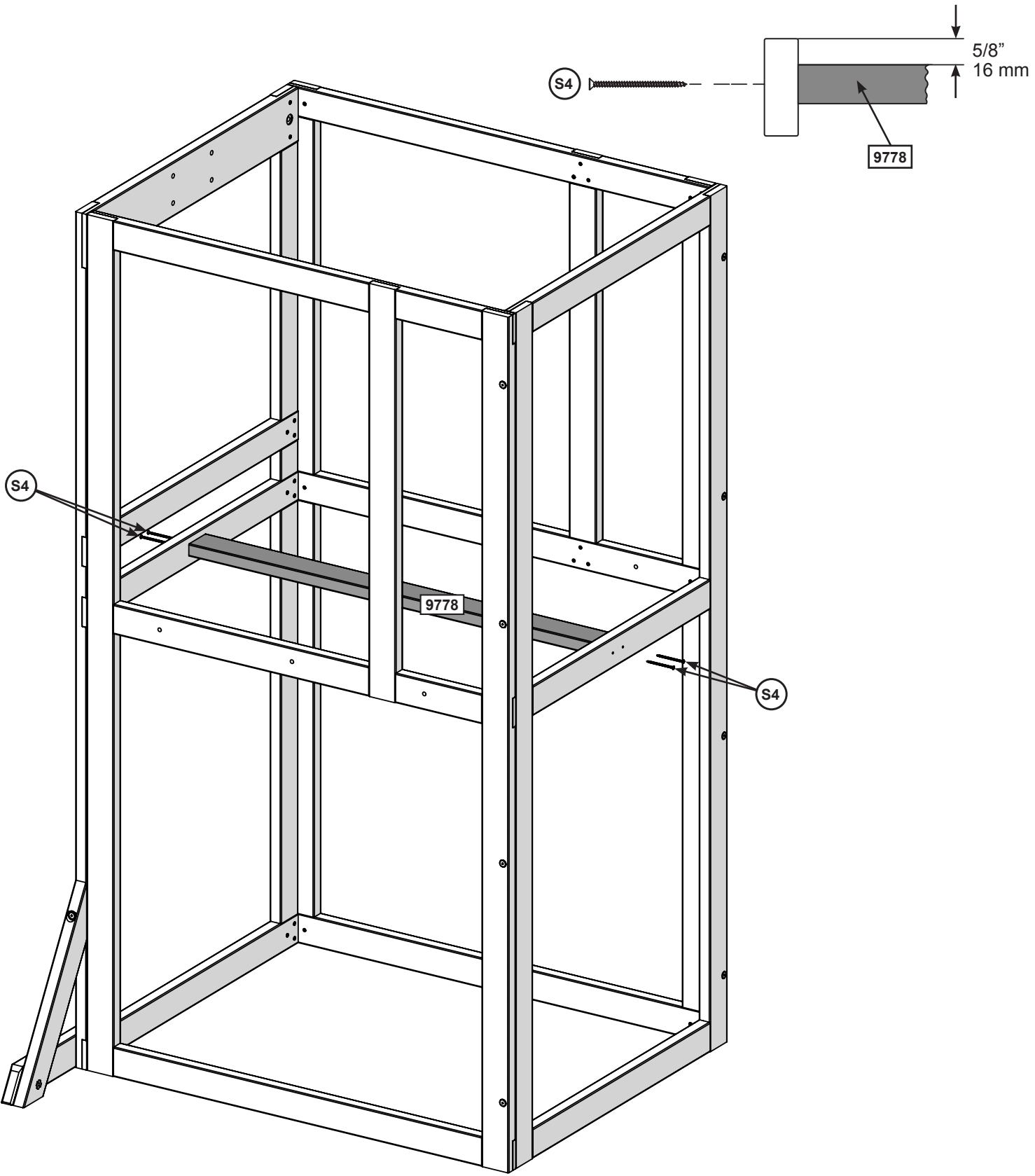
Wood Parts

- 1 x **2606** 23.8 x 82.6 x 362 mm (15/16 x 3-1/4 x 14-1/4")
- 1 x **2607** 31.8 x 76.2 x 558.8 mm (1-1/4 x 3 x 22")

Hardware

- 1 x **WL5** 6.4 x 63.5 mm (1/4 x 2-1/2") (FW2)
- 1 x **WB9** 7.9 x 54 mm (5/16 x 2-1/8") (FW2, TN2)
- 2 x **S11** #8 x 50.8 mm (#8 x 2")
- 1 x **S4** #8 x 76.2 mm (#8 x 3")

Step 4



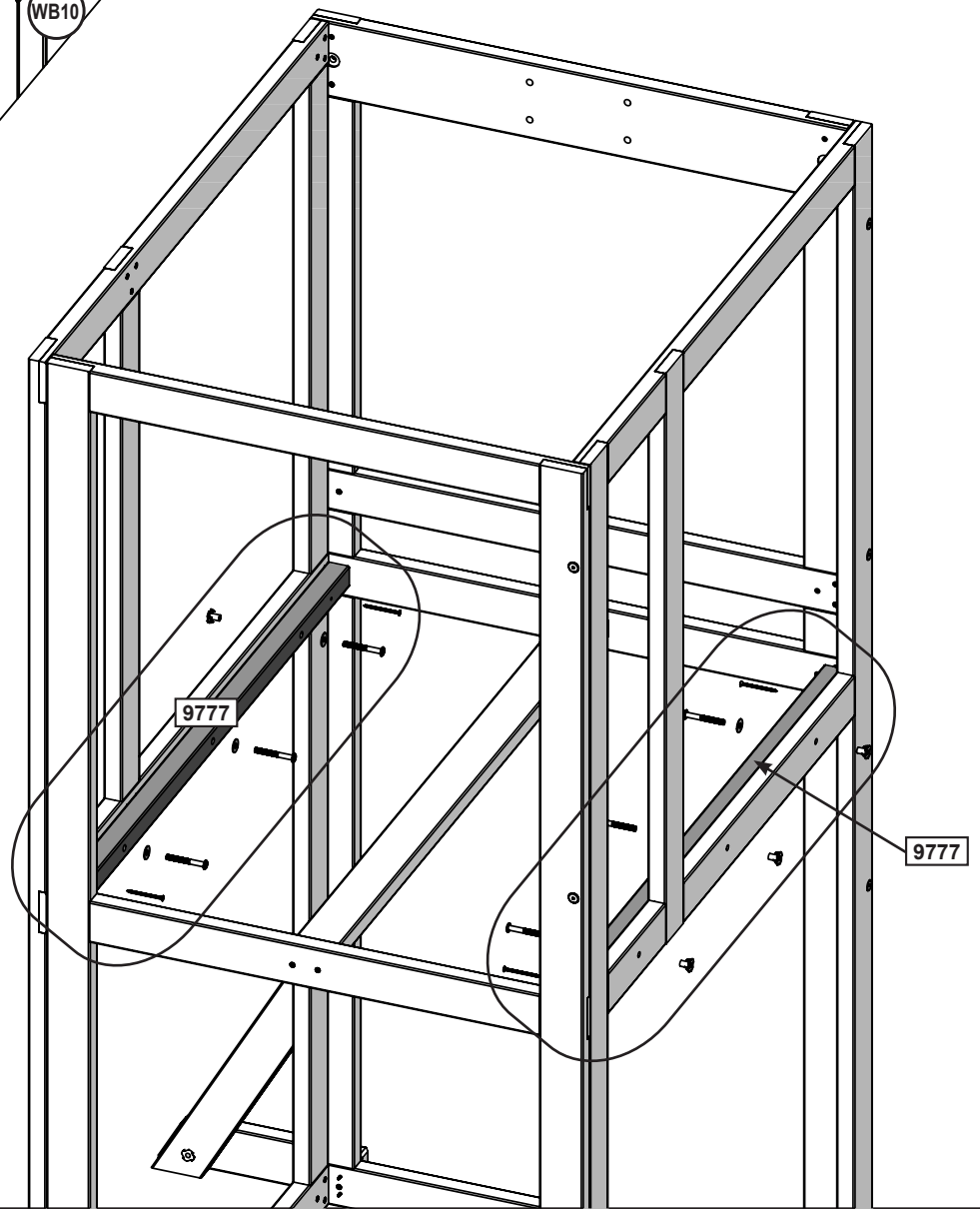
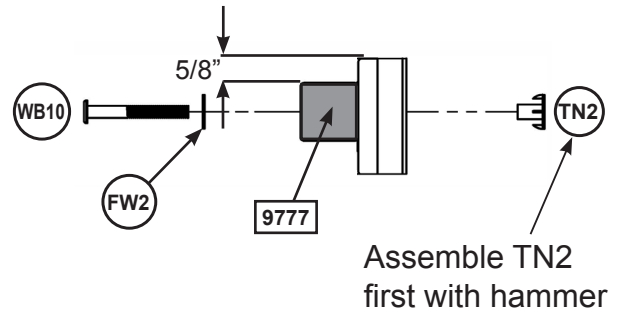
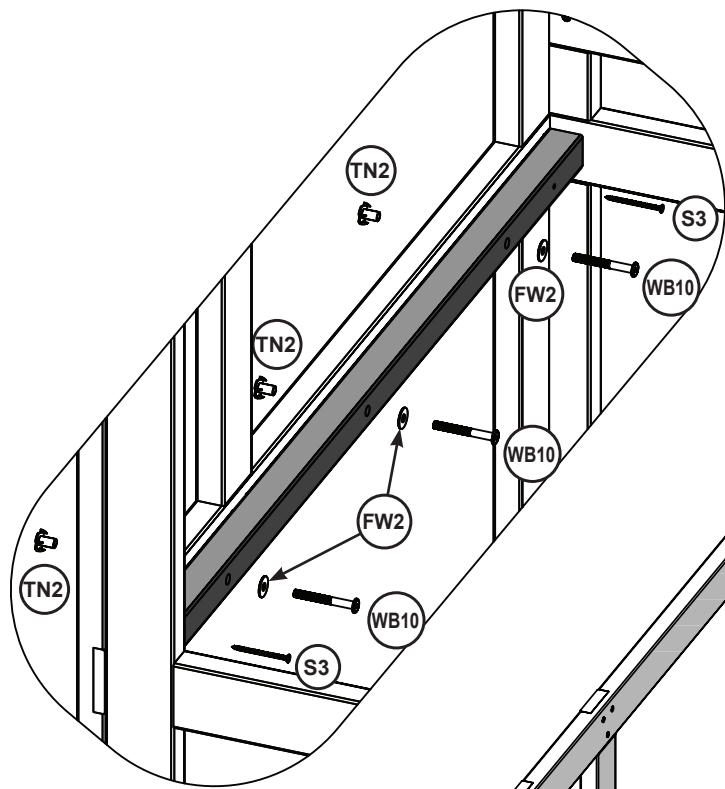
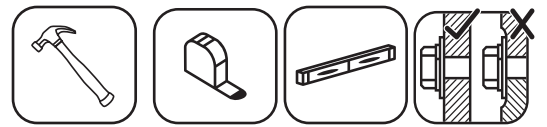
Wood Parts

1 x **9778** 31.8 x 76.2 x 1160 mm (1-1/4 x 3 x 45-43/64")

Hardware

4 x **S4** #8 x 76.2 mm (#8 x 3")

Step 5



Wood Parts

2 x **9777** 38.1 x 38.1 x 1154 mm (1-1/2 x 1-1/2 x 45-7/16")

Hardware

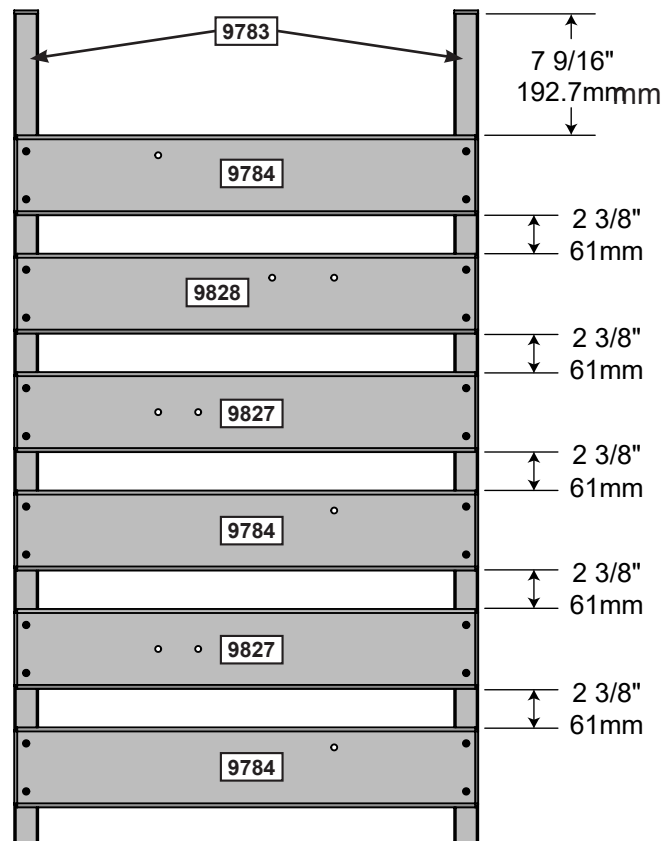
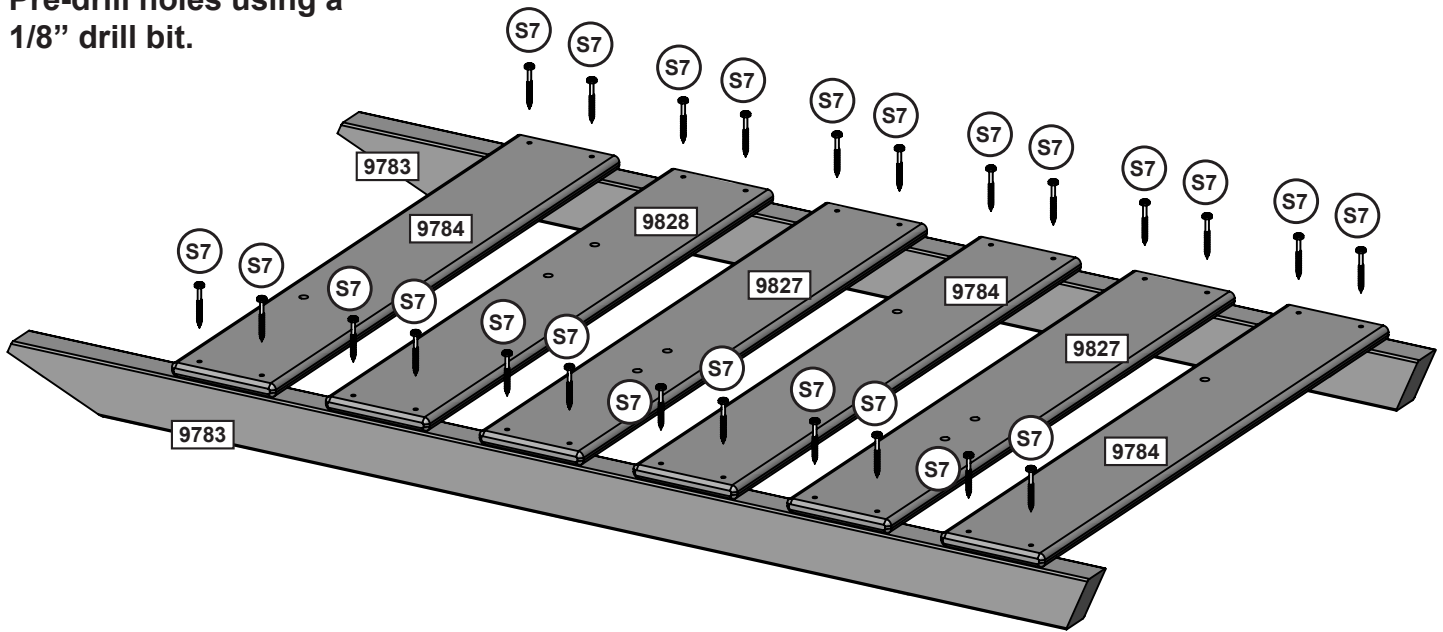
4 x **S3** #8 x 2-1/2" (63.5 mm)

6 x **WB10** 7.9 x 66.7 mm (5/16 x 2-5/8") (FW2, TN2)

Step 6



Pre-drill holes using a 1/8" drill bit.



Wood Parts

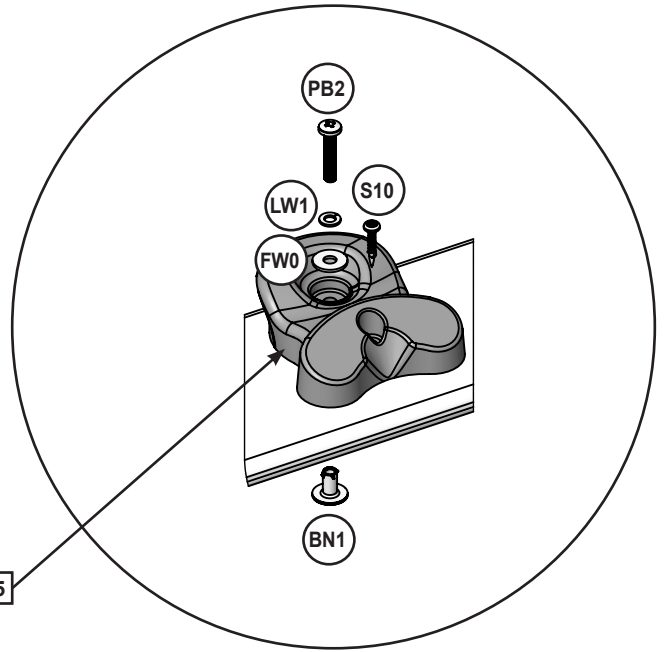
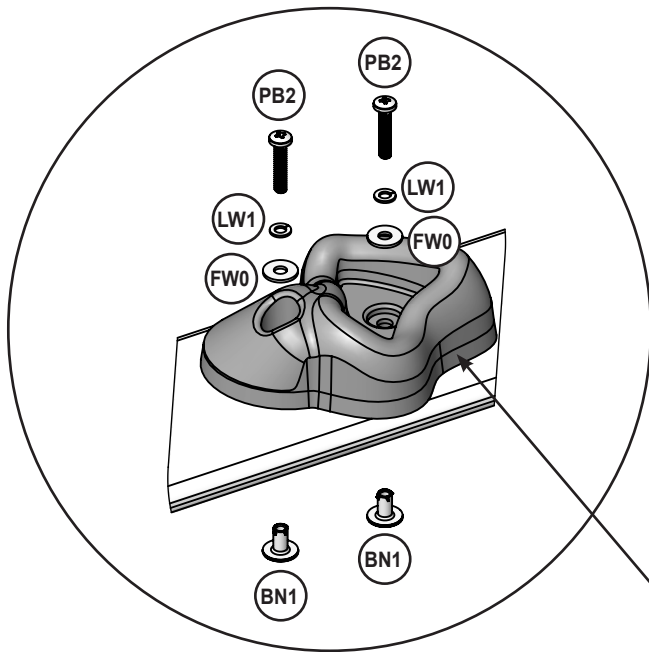
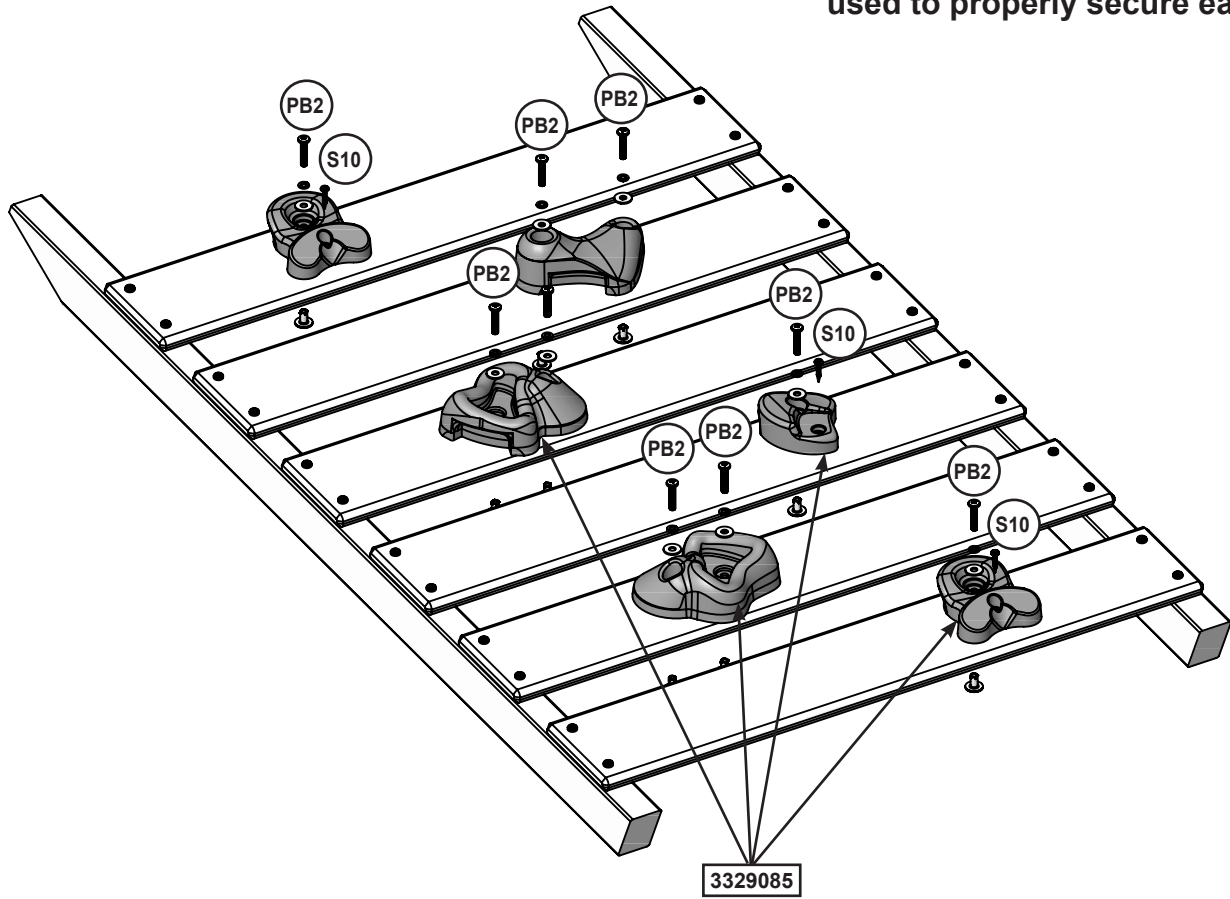
- 2 x **9783** 38.1 x 63.5 x 1320.8 mm (1-1/2 x 2-1/2 x 52")
- 3 x **9784** 15.9 x 127 x 736.6 mm (5/8 x 5 x 29")
- 2 x **9827** 15.9 x 127 x 736.6 mm (5/8 x 5 x 29")
- 1 x **9828** 15.9 x 127 x 736.6 mm (5/8 x 5 x 29")

Hardware

- 24 x **S7** #12 x 50.8 mm (#12 x 2")

Step 7

Note: Make sure all hardware is used to properly secure each rock.



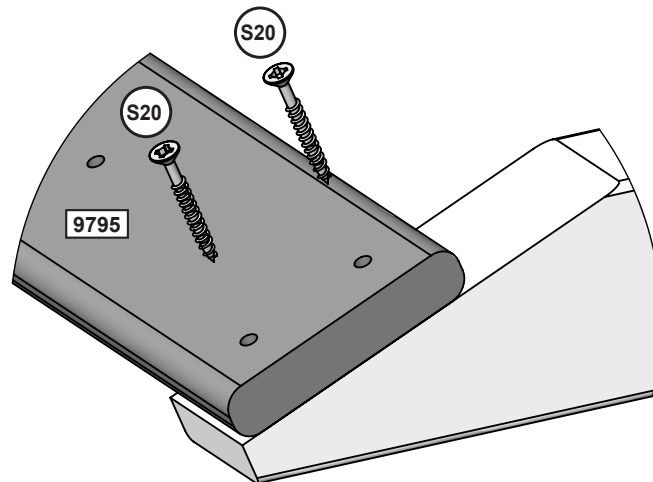
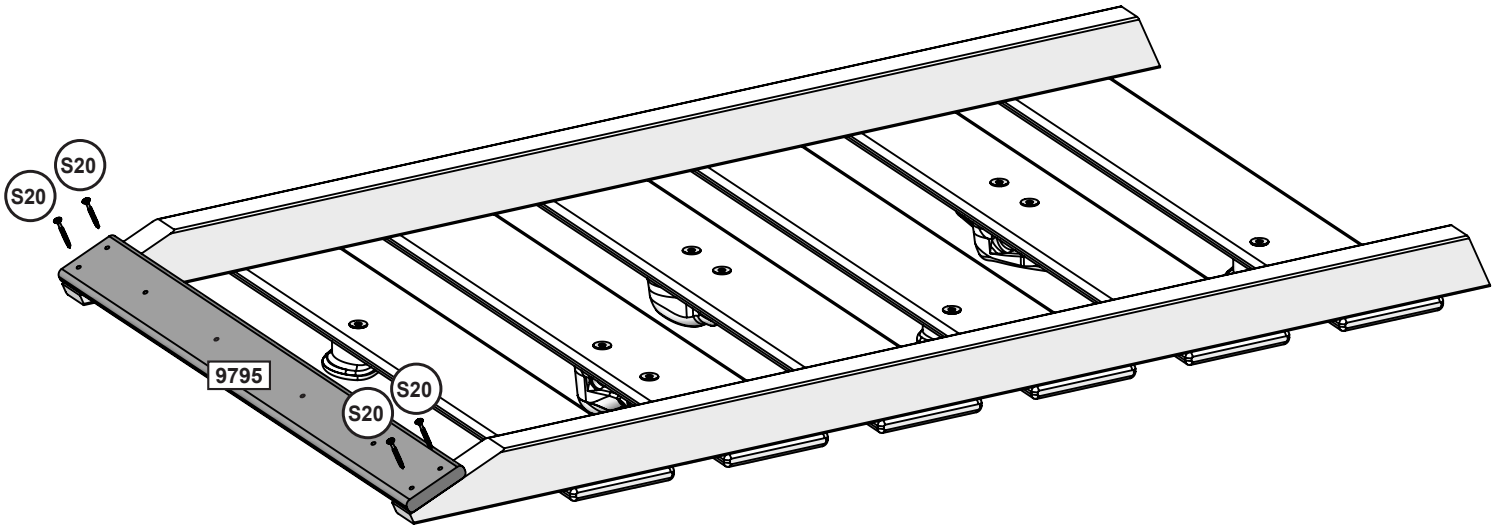
Hardware

- 9 x **(PB2)** 7.9mm x 32 mm (5/16 x 1-1/4") (FW0, LW1, BN1)
- 3 x **(S10)** #8 x 25.4 mm (#8 x 1")

Other Parts

- 1 x **3329085**

Step 8



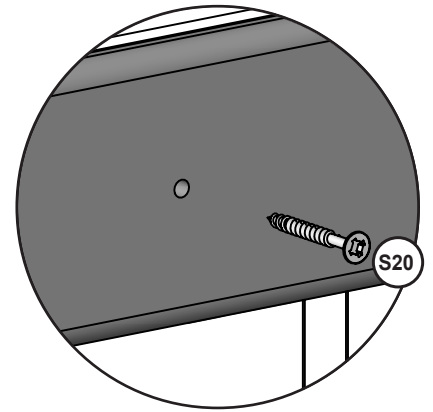
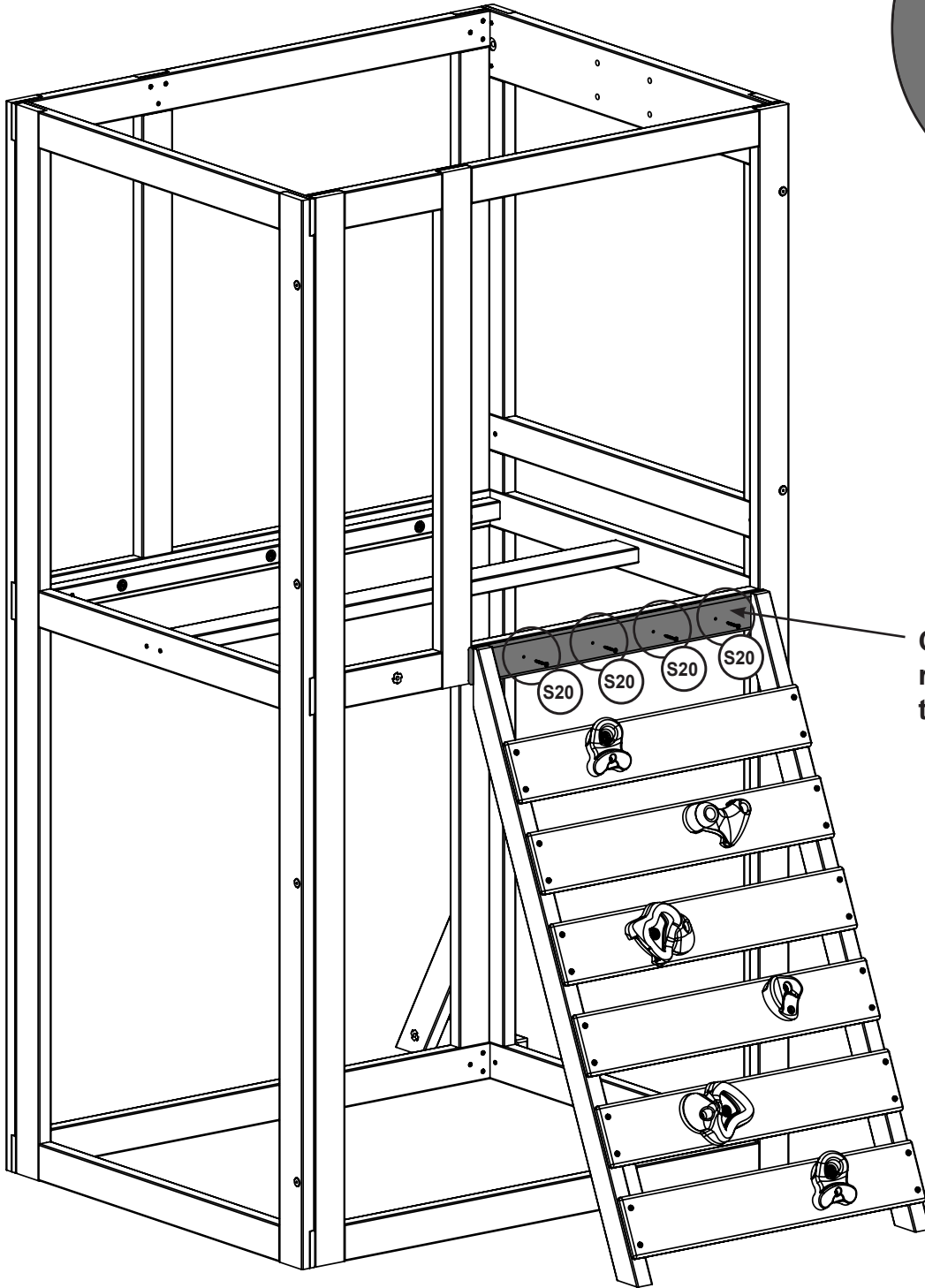
Wood Parts

1 x **9795** 15.9 x 76.2 x 736.6 mm (5/8 x 3 x 29")

Hardware

4 x **S20** #8 x 35 mm (#8 x 1-3/8")

Step 9

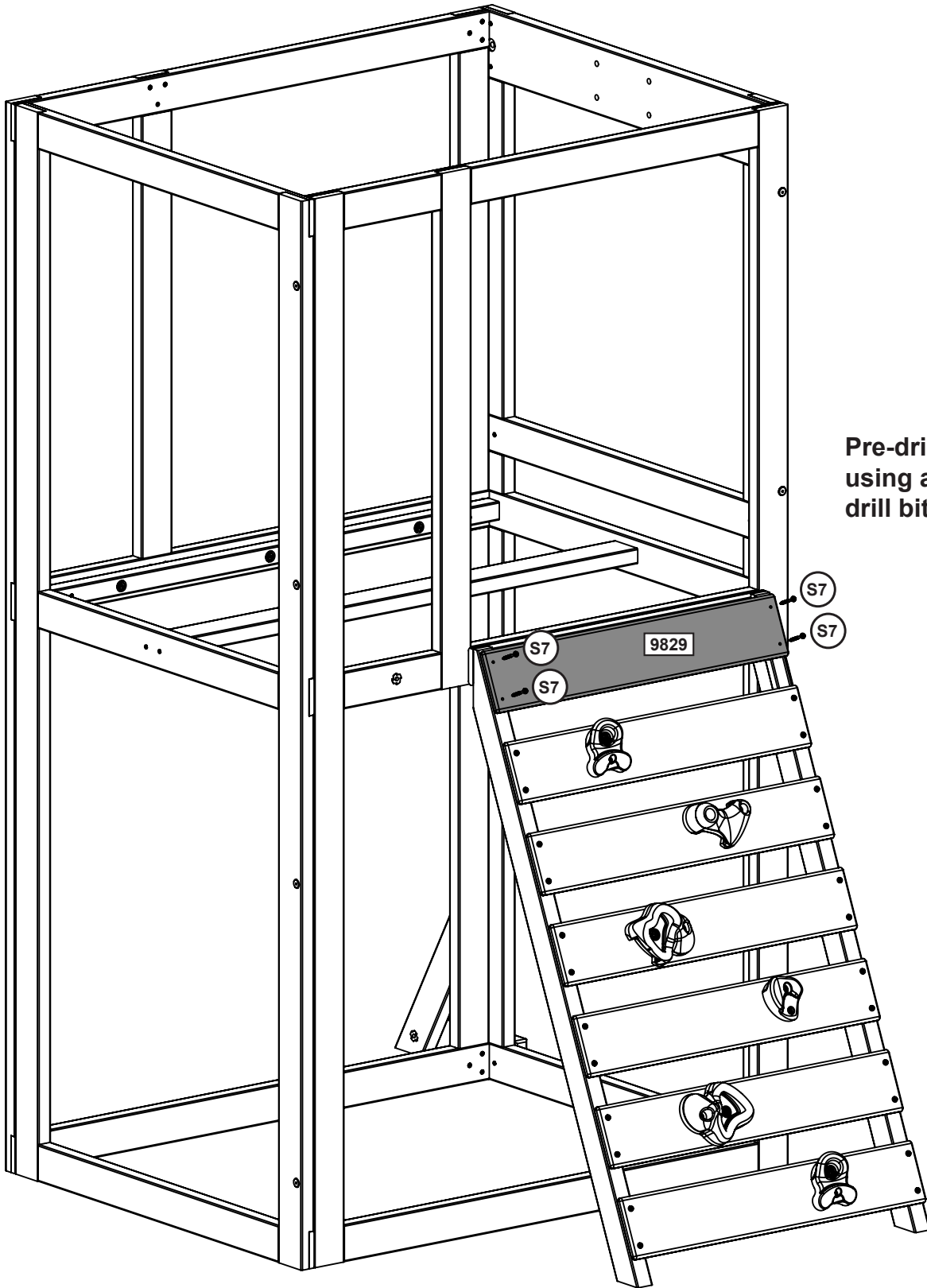


Center the rock wall in the opening.

Hardware

4 x  #8 x 35 mm (#8 x 1-3/8")

Step 10



Pre-drill holes using a 1/8" drill bit.

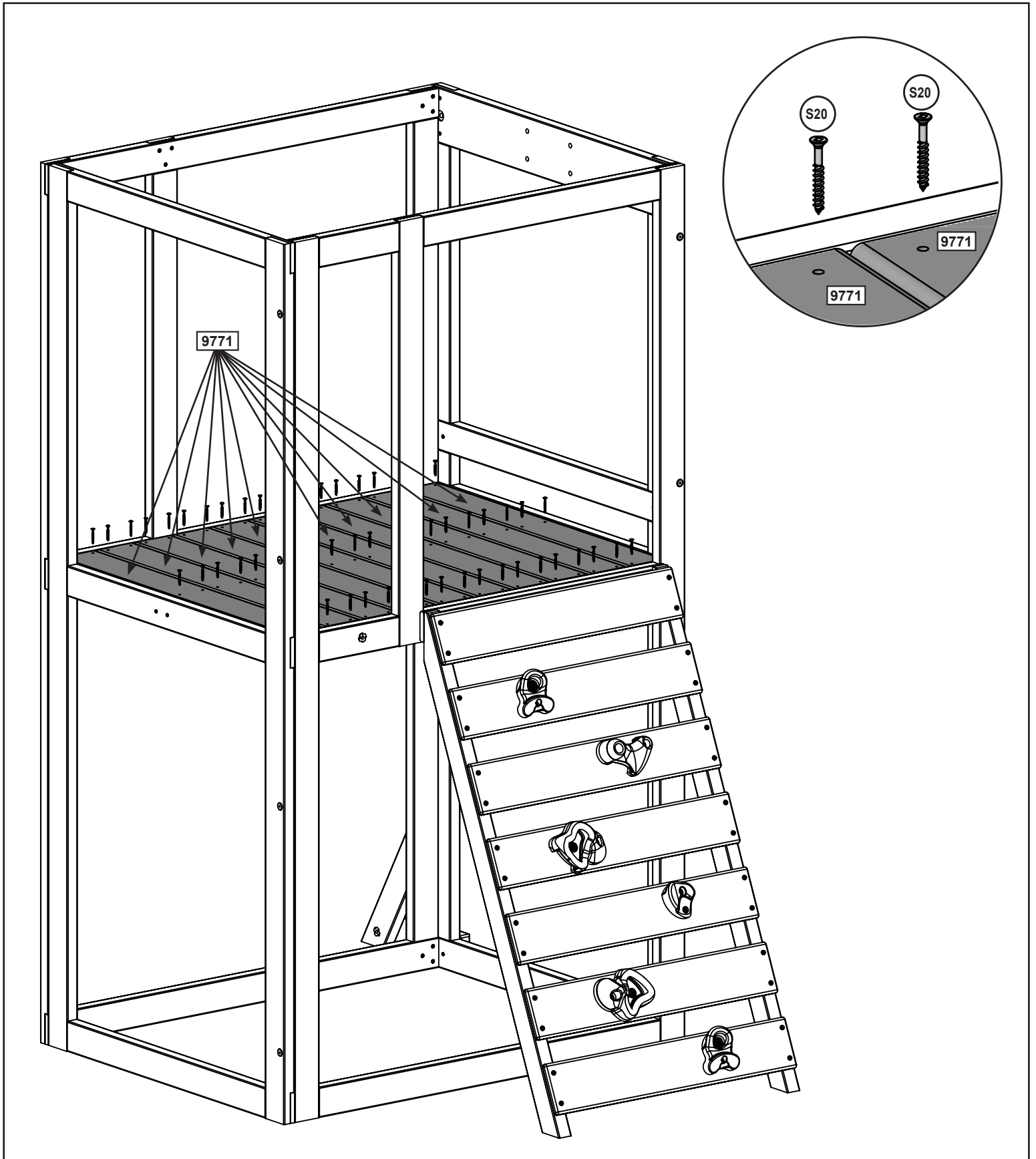
Wood Parts

1 x 9829 15.9 x 127 x 736.6 mm (5/8 x 5 x 29")

Hardware

4 x S7 #12 x 50.8 mm (#12 x 2")

Step 11



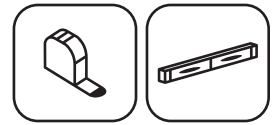
Wood Parts

10 x **9771** 15.9 x 114.3 x 906 mm (5/8 x 4-1/2 x 35-43/64")

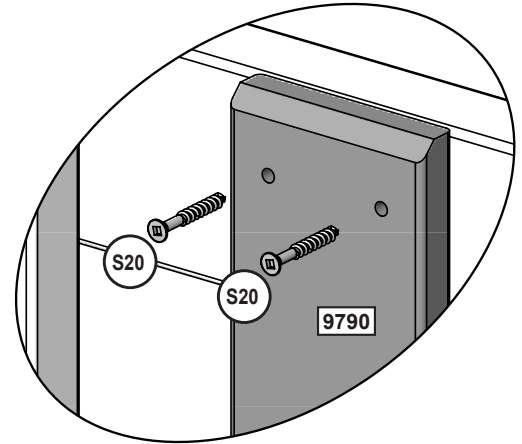
Hardware

60 x **S20** #8 x 35 mm (#8 x 1-3/8")

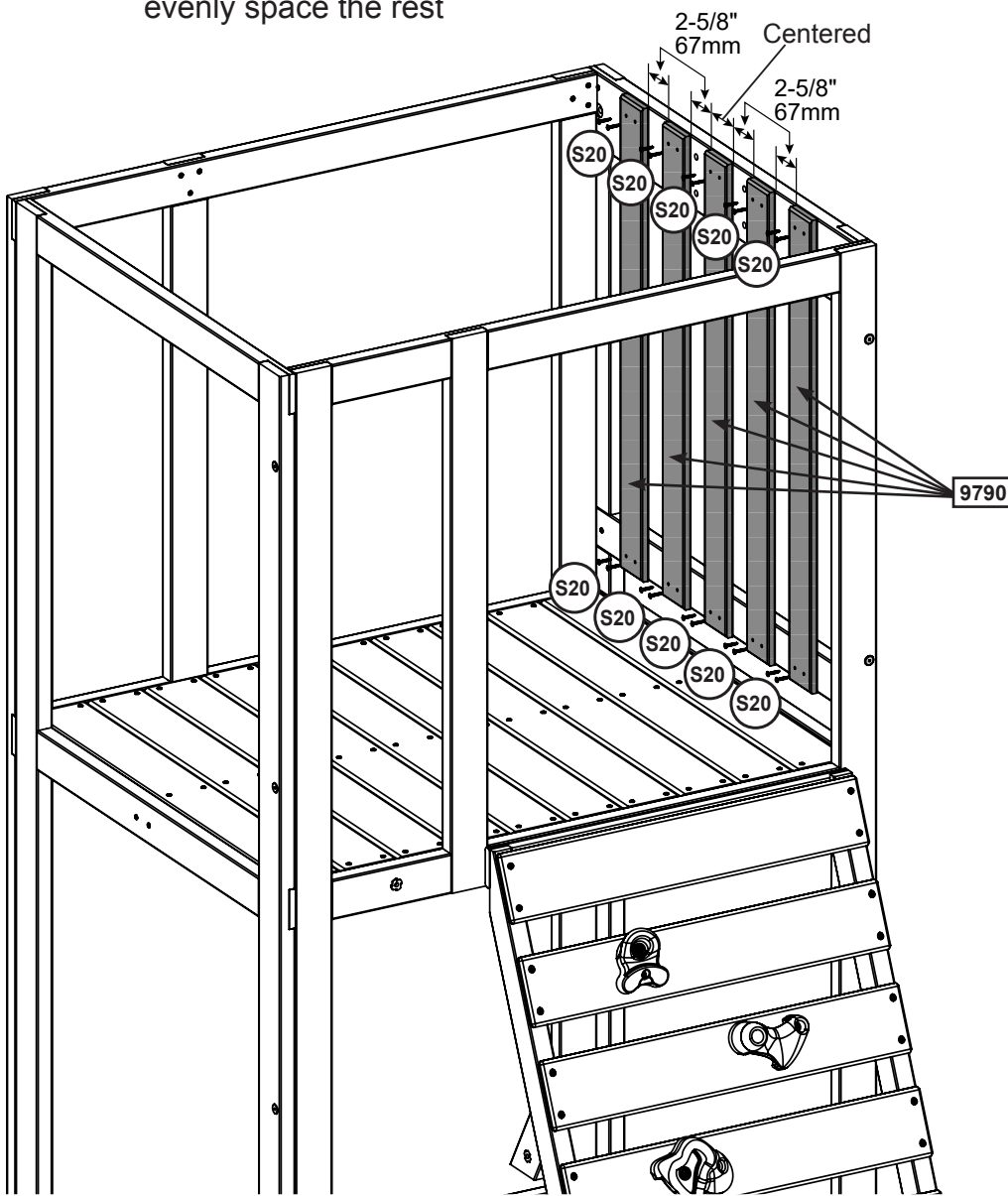
Step 12



Center first board and evenly space the rest



Beveled edge faces into joint



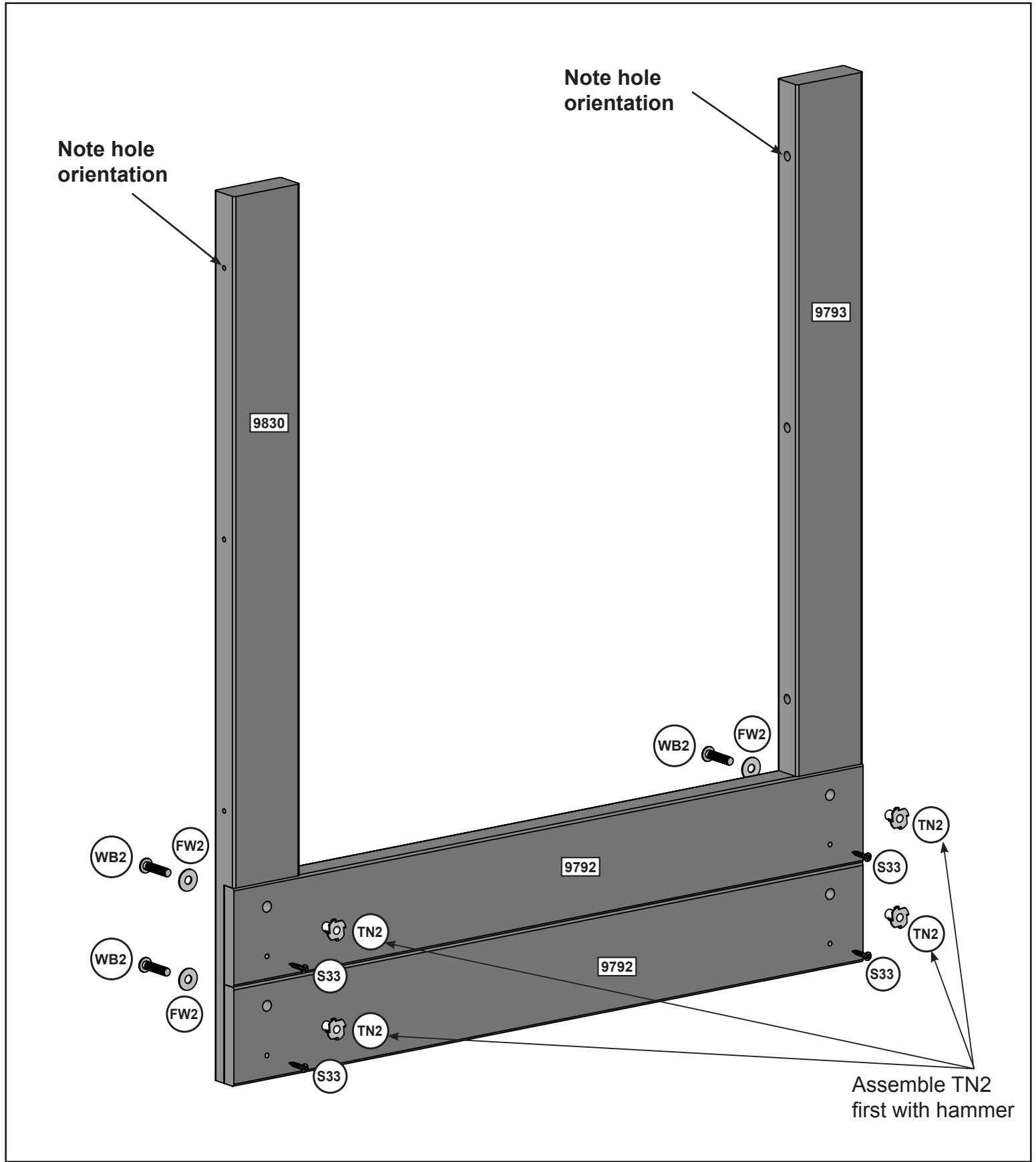
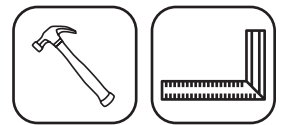
Wood Parts

5 x 15.9 x 76.2 x 910.6 mm (5/8 x 3 x 35-7/8")

Hardware

20 x #8 x 34.9 mm (#8 x 1-3/8")

Step 13



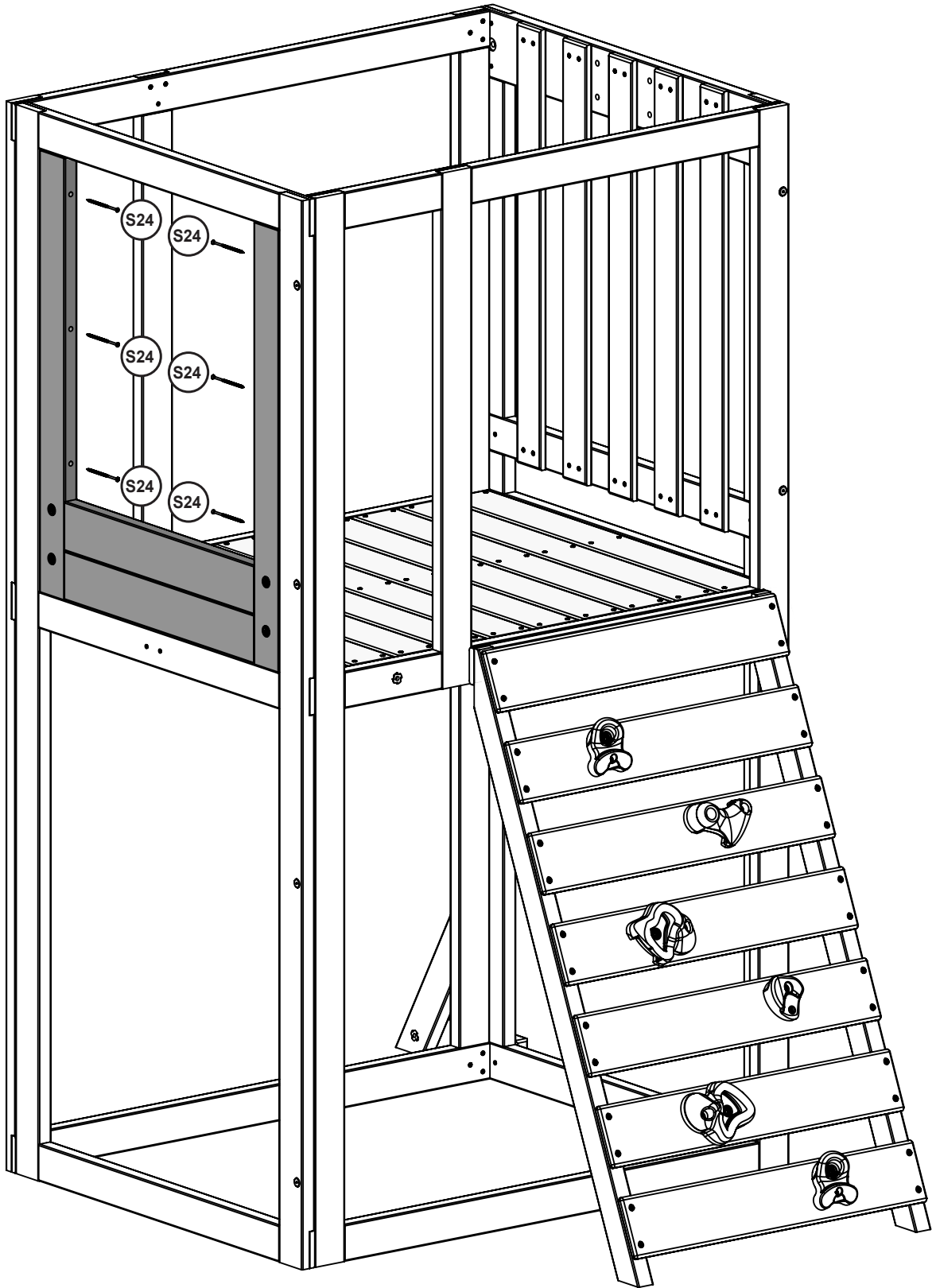
Wood Parts

- 2 x **9792** 31.8 x 101.6 x 785.4 mm (1-1/4 x 4 x 30-15/16")
- 1 x **9793** 31.8 x 82.6 x 912.4 mm (1-1/4 x 3-1/4 x 35-15/16")
- 1 x **9830** 31.8 x 82.6 x 912.4 mm (1-1/4 x 3-1/4 x 35-15/16")

Hardware

- 4 x **WB2** 7.9 x 34.9 mm (5/16 x 1-3/8") (FW2, TN2)
- 4 x **S33** #8 x 25.4 mm (#8 x 1")

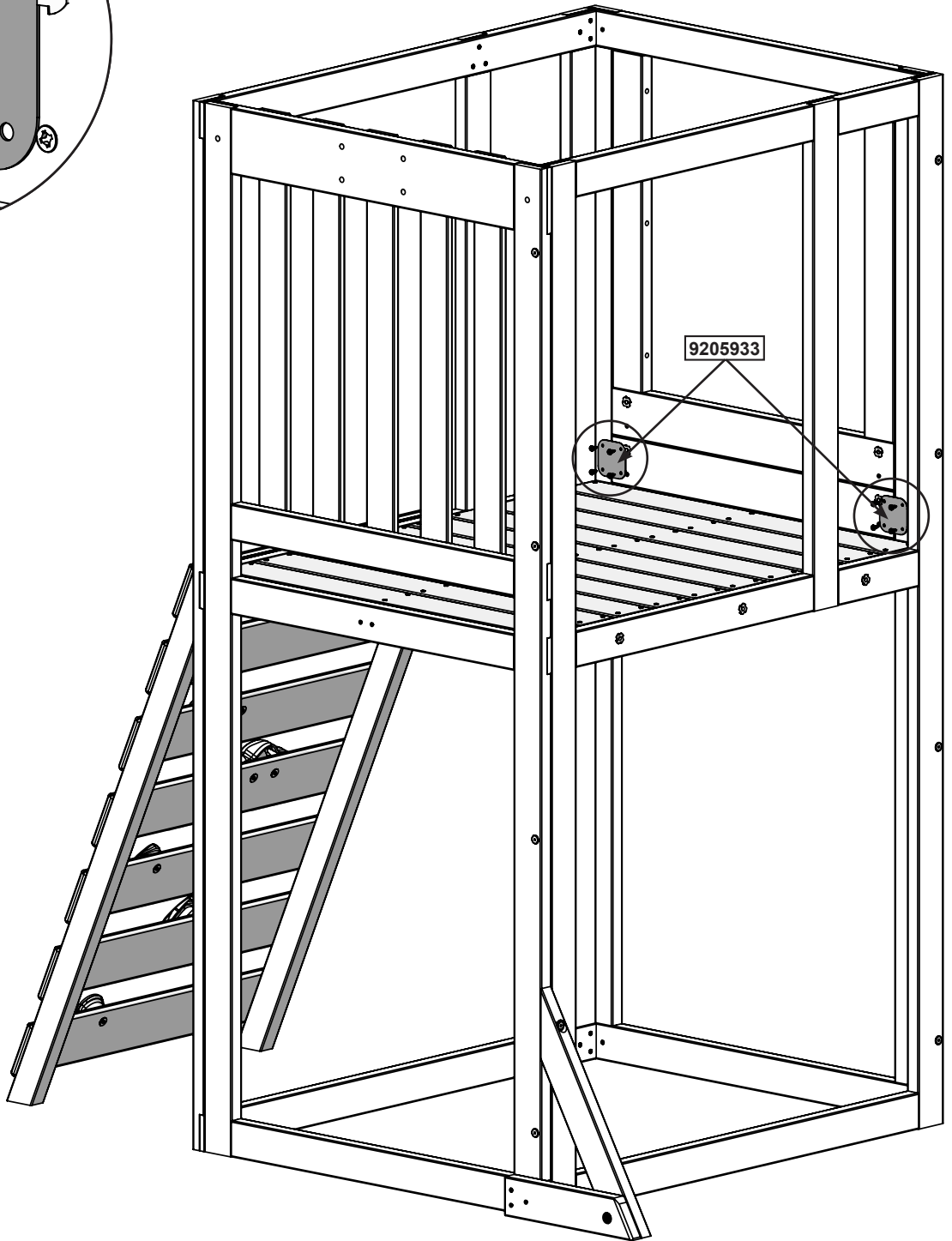
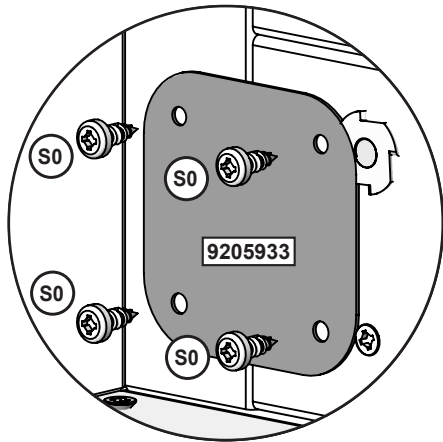
Step 14



Hardware

6 x  #10 x 101.6 mm (#10 x 4")

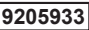
Step 15



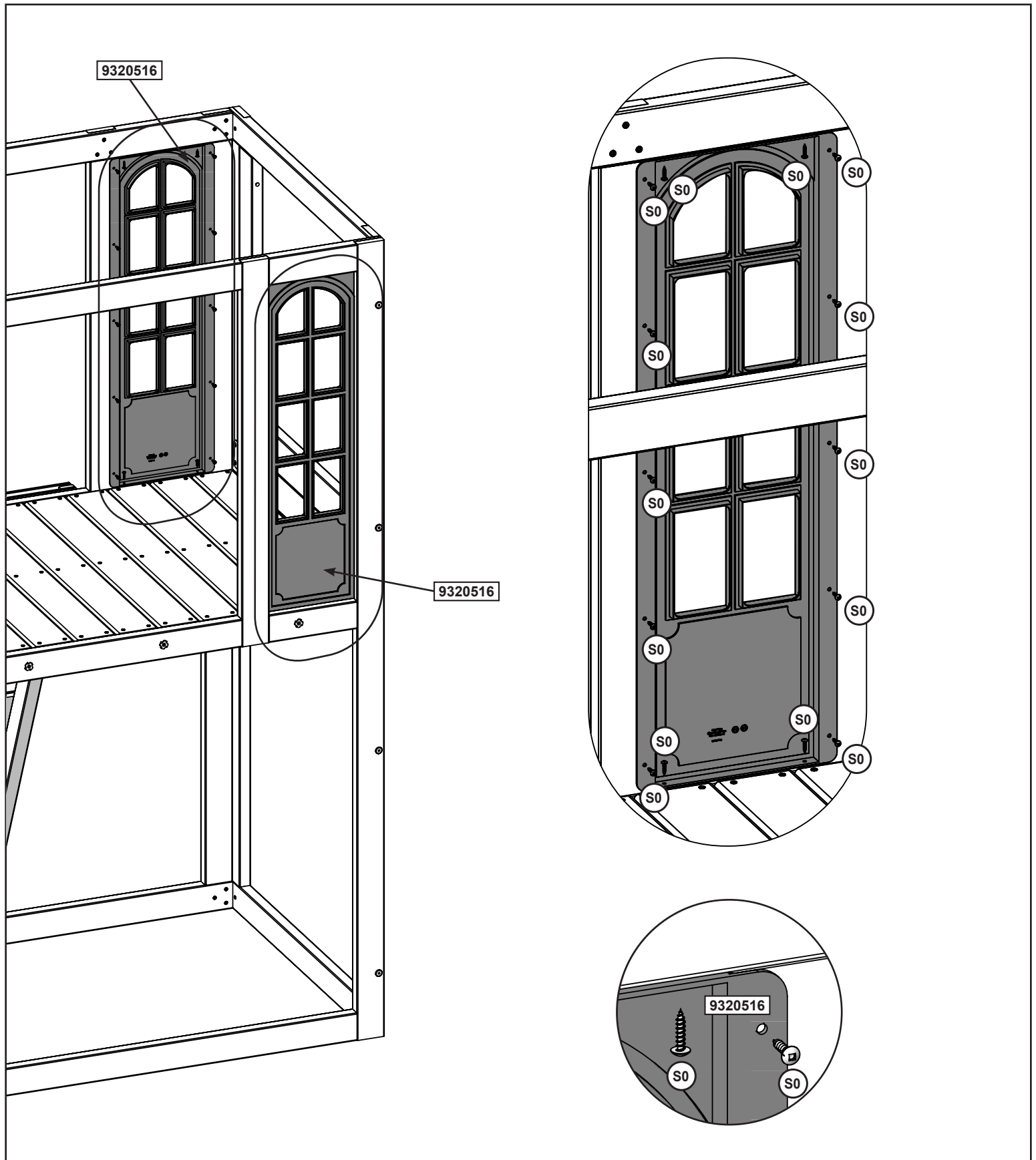
Hardware

8 x  #8 x 22.2 mm (#8 x 7/8")

Other Parts

2 x 

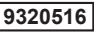
Step 16



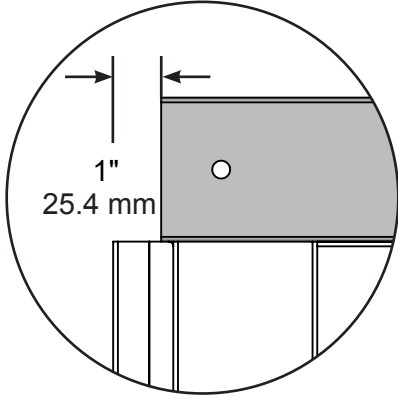
Hardware

28 x  #8 x 22.2 mm (#8 x 7/8")

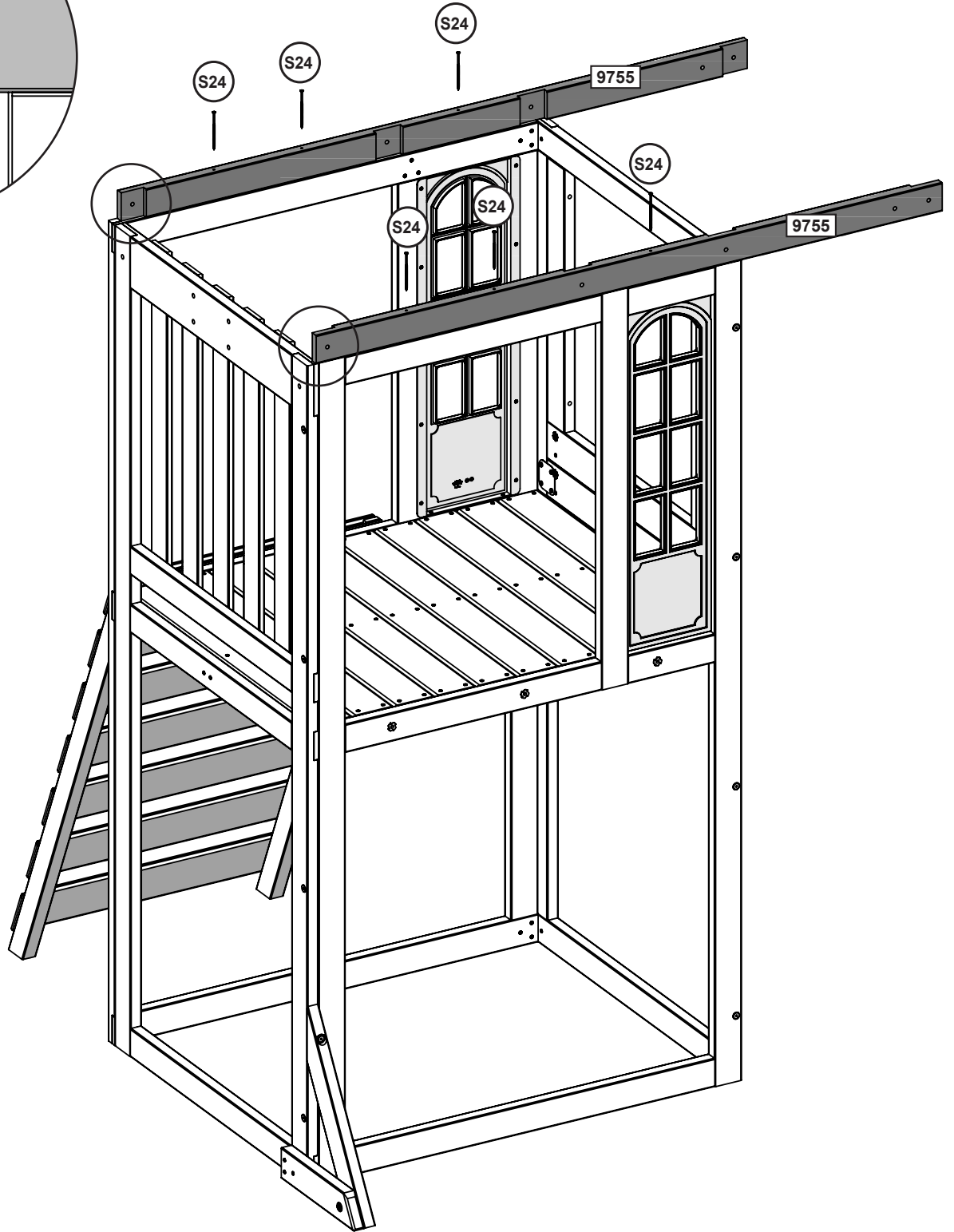
Other Parts

2 x 

Step 17



Note board orientation



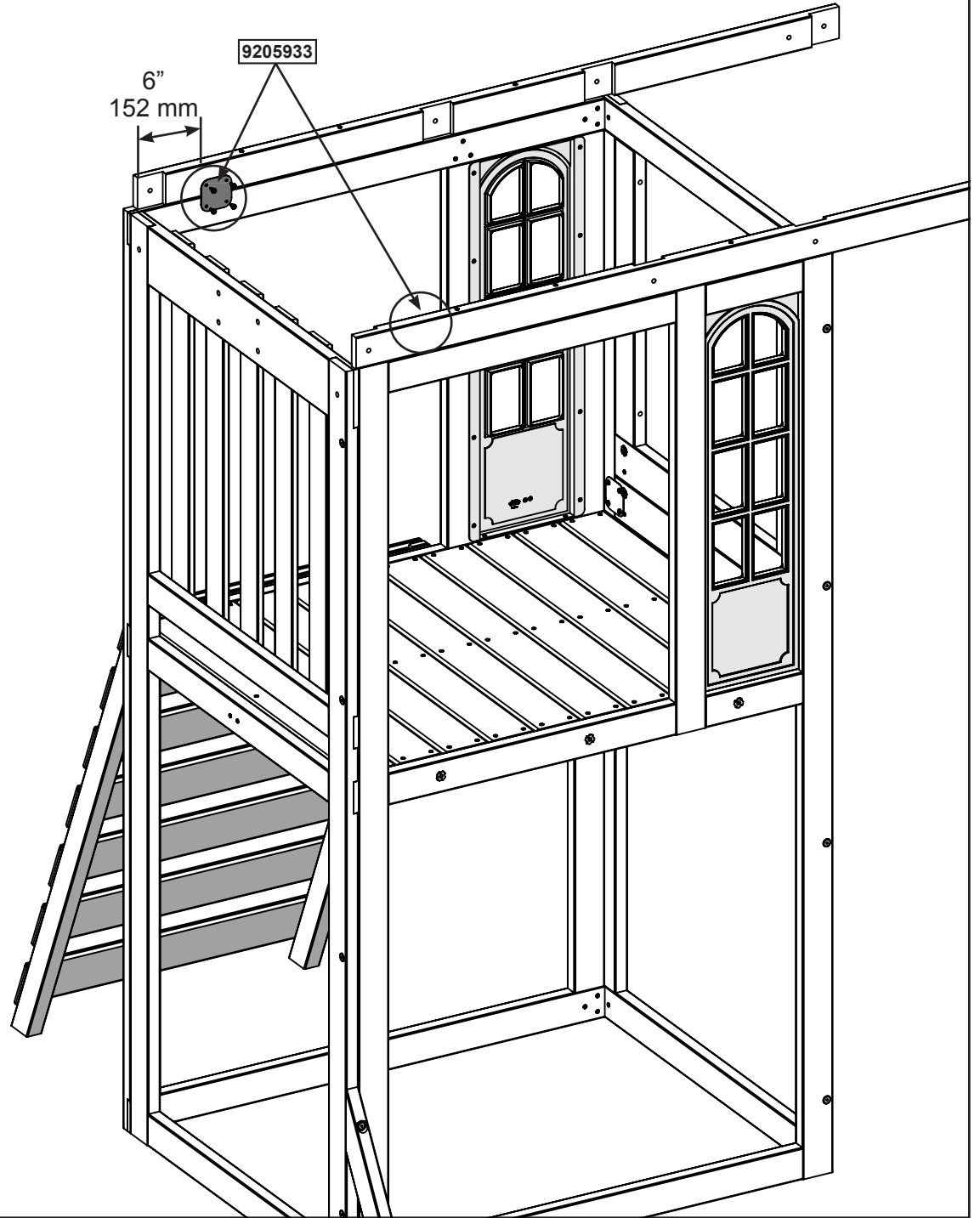
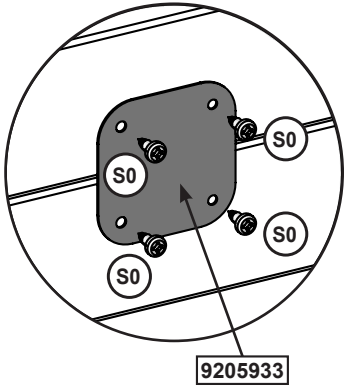
Wood Parts

2 x **9755** 31.8 x 76.2 x 1765.3 mm (1-1/4 x 3 x 69-1/2")

Hardware

6 x **S24** #10 x 101.6 mm (#10 x 4")


Step 18



Hardware

8 x  #8 x 22.2 mm (#8 x 7/8")

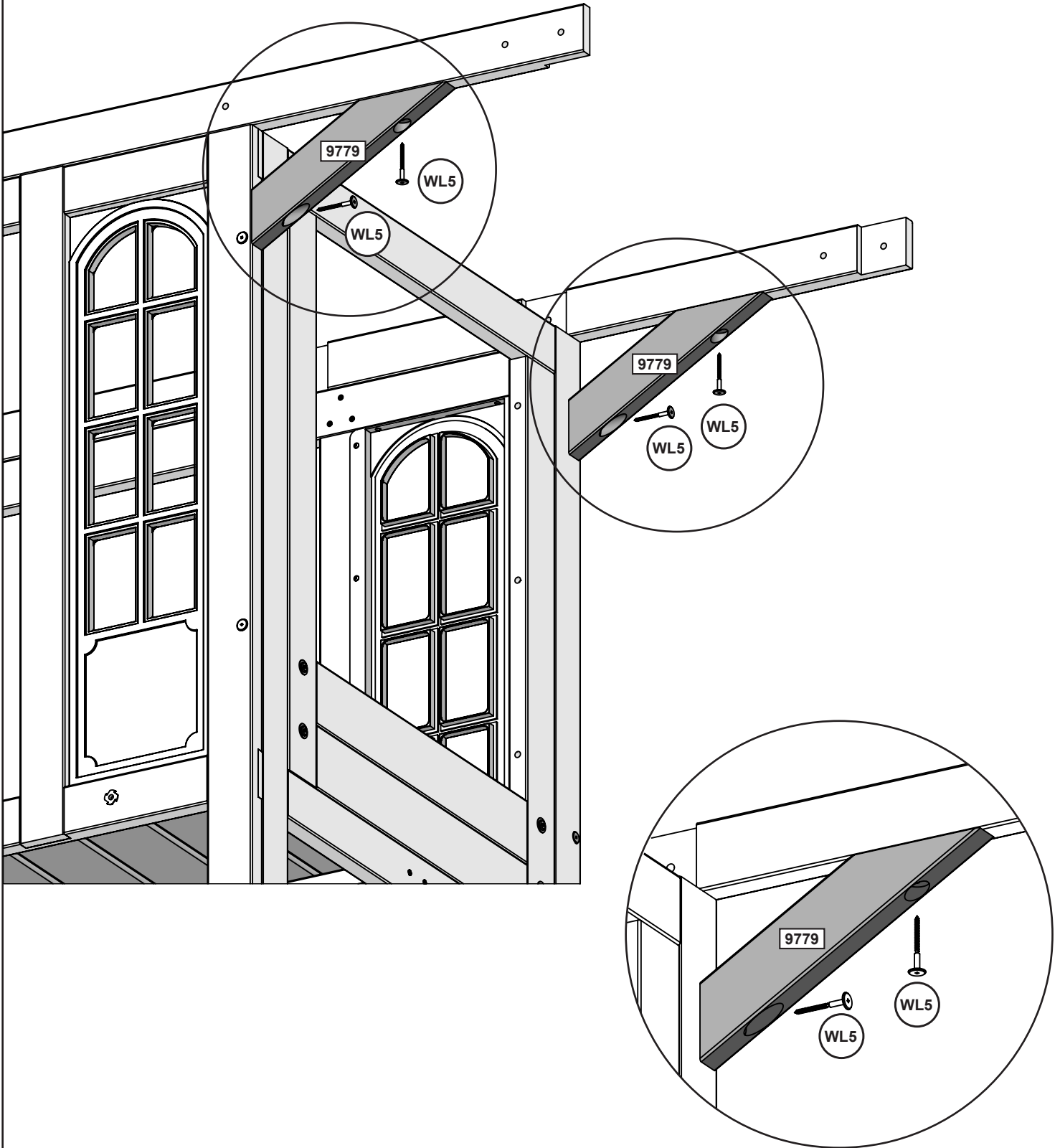
Other Parts

2 x 

Step 19



Pre-drill each hole using a 3/16" drill bit for WL5.



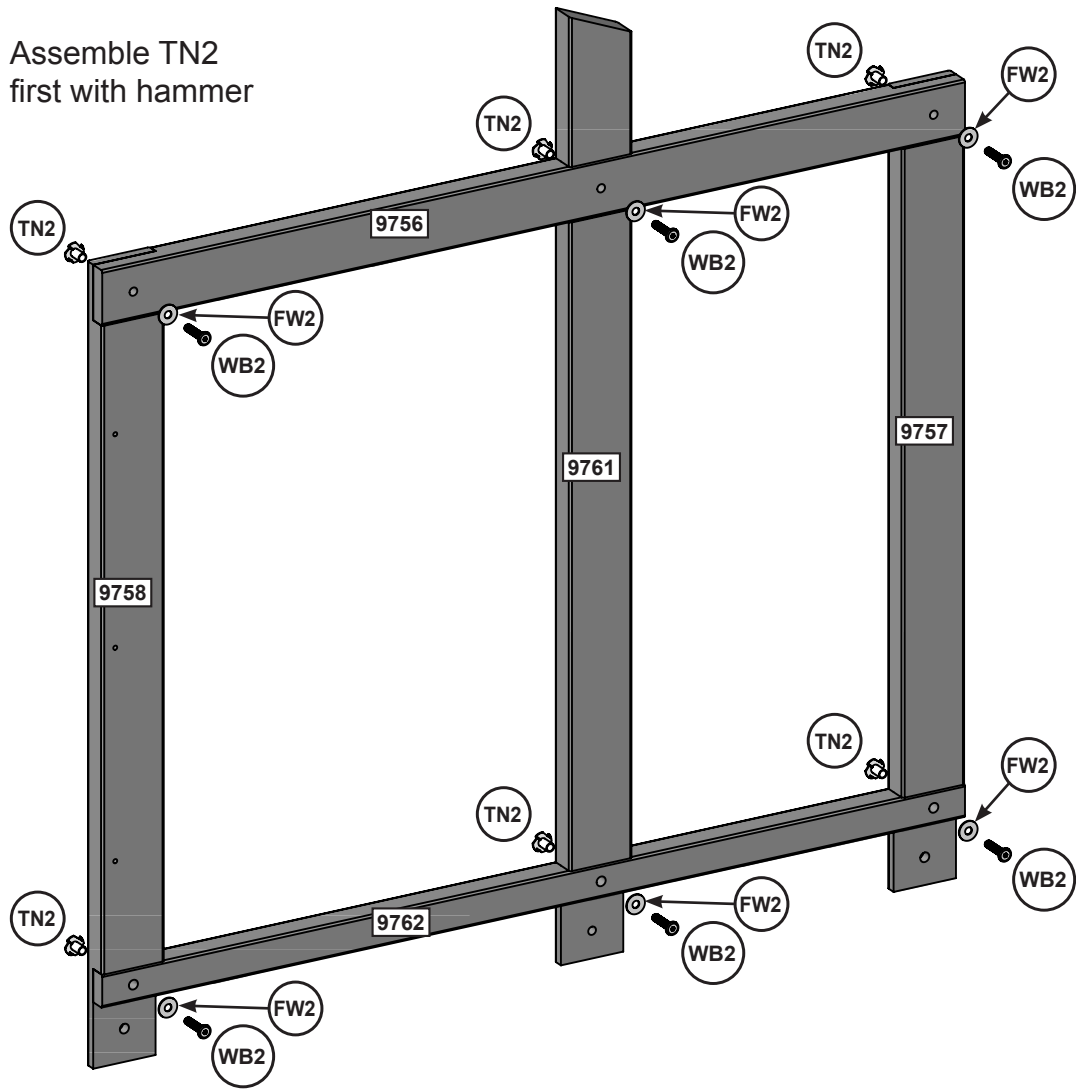
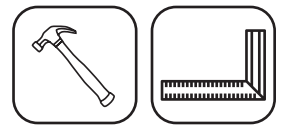
Wood Parts

2 x **9779** 31.8 x 76.2 x 381 mm (1-1/4 x 3 x 15")

Hardware

4 x **WL5** 6.4 x 63.5 mm (1/4 x 2-1/2")

Step 20



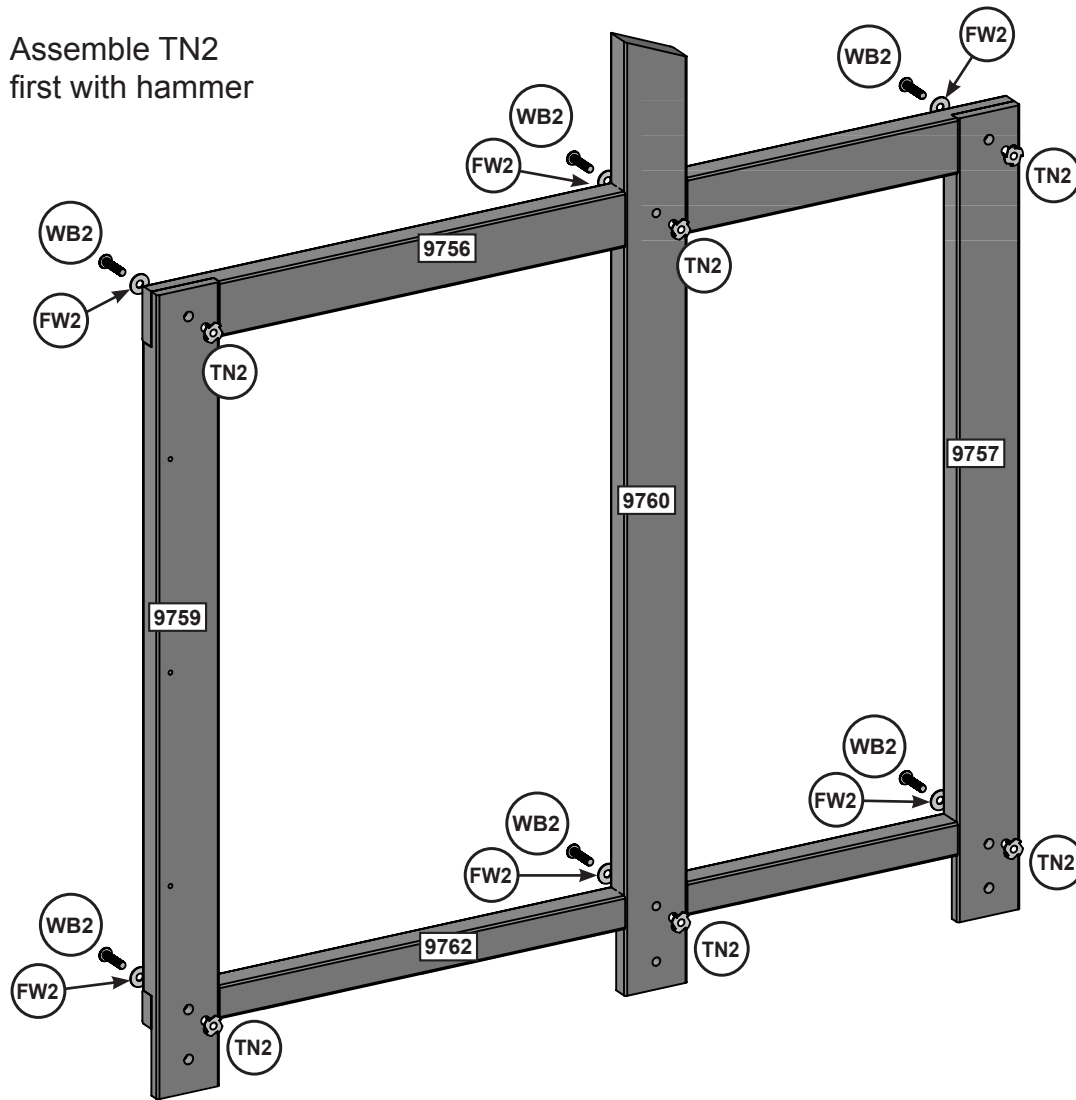
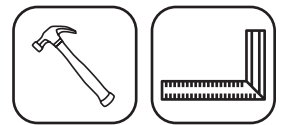
Wood Parts

1 x 9756	31.8 x 63.5 x 1054.1 mm (1-1/4 x 2-1/2 x 41-1/2")	1 x 9761	31.8 x 76.2 x 1092.4 mm (1-1/4 x 3 x 43")
1 x 9757	31.8 x 76.2 x 920.8 mm (1-1/4 x 3 x 36-1/4")	1 x 9762	31.8 x 38.1 x 1054.1 mm (1-1/4 x 1-1/2 x 41-1/2")
1 x 9758	31.8 x 76.2 x 920.8 mm (1-1/4 x 3 x 36-1/4")		

Hardware

6 x WB2	7.9 x 34.9 mm (5/16 x 1-3/8")
	(FW2, TN2)

Step 21



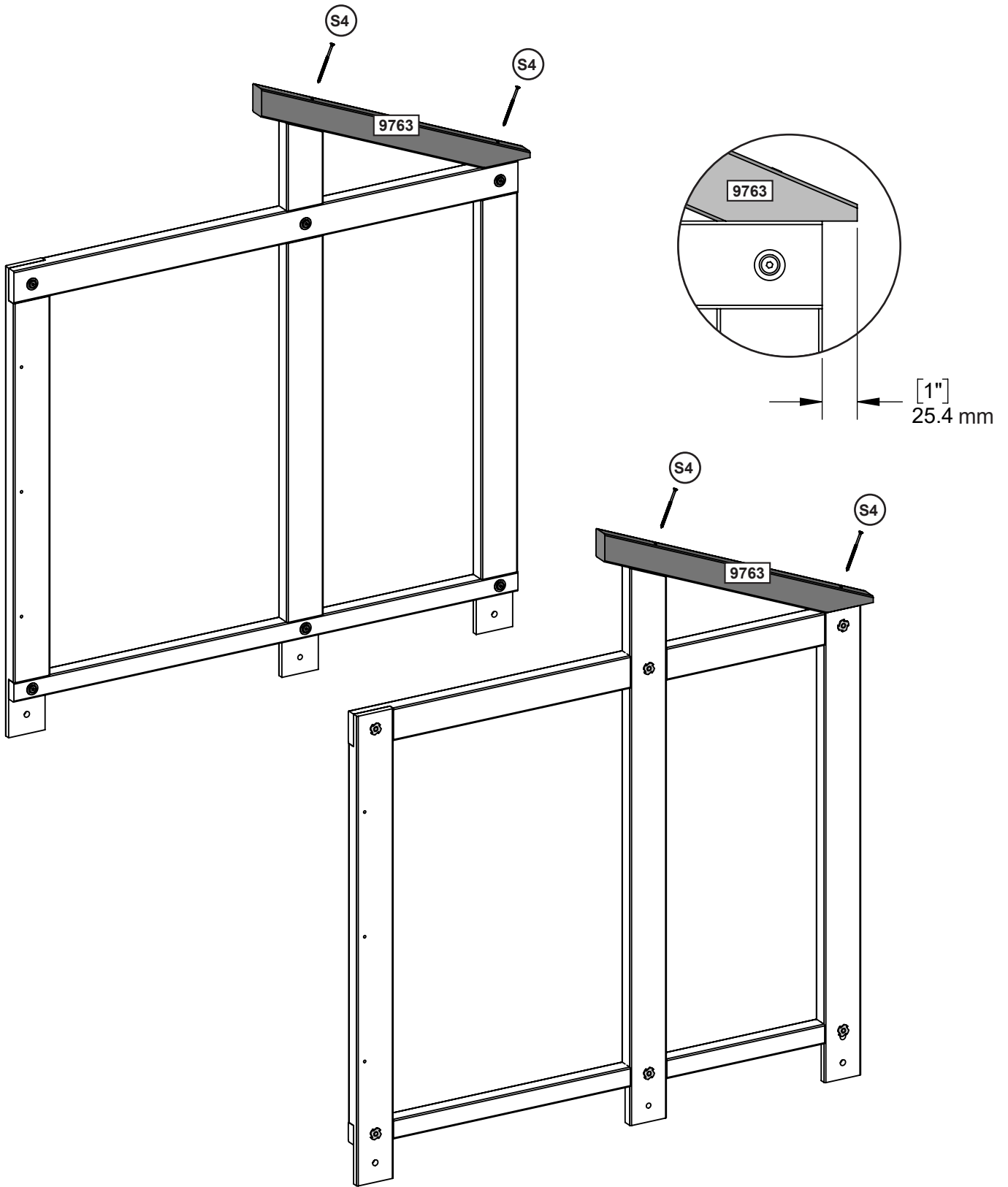
Wood Parts

- | | |
|---|---|
| 1 x 9756 31.8 x 63.5 x 1054.1 mm (1-1/4 x 2-1/2 x 41-1/2") | 1 x 9760 31.8 x 76.2 x 1092.4 mm (1-1/4 x 3 x 43") |
| 1 x 9757 31.8 x 76.2 x 920.8 mm (1-1/4 x 3 x 36-1/4") | 1 x 9762 31.8 x 38.1 x 1054.1 mm (1-1/4 x 1-1/2 x 41-1/2") |
| 1 x 9759 31.8 x 76.2 x 920.8 mm (1-1/4 x 3 x 36-1/4") | |

Hardware

- 6 x **WB2** 7.9 x 34.9 mm (5/16 x 1-3/8")
(FW2, TN2)

Step 22



Wood Parts

2 x 9763 31.8 x 50.8 x 614.6 mm (1-1/4 x 2 x 24-3/16")

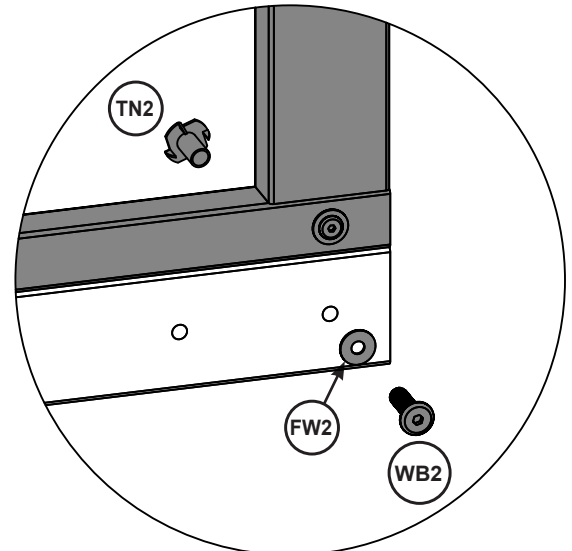
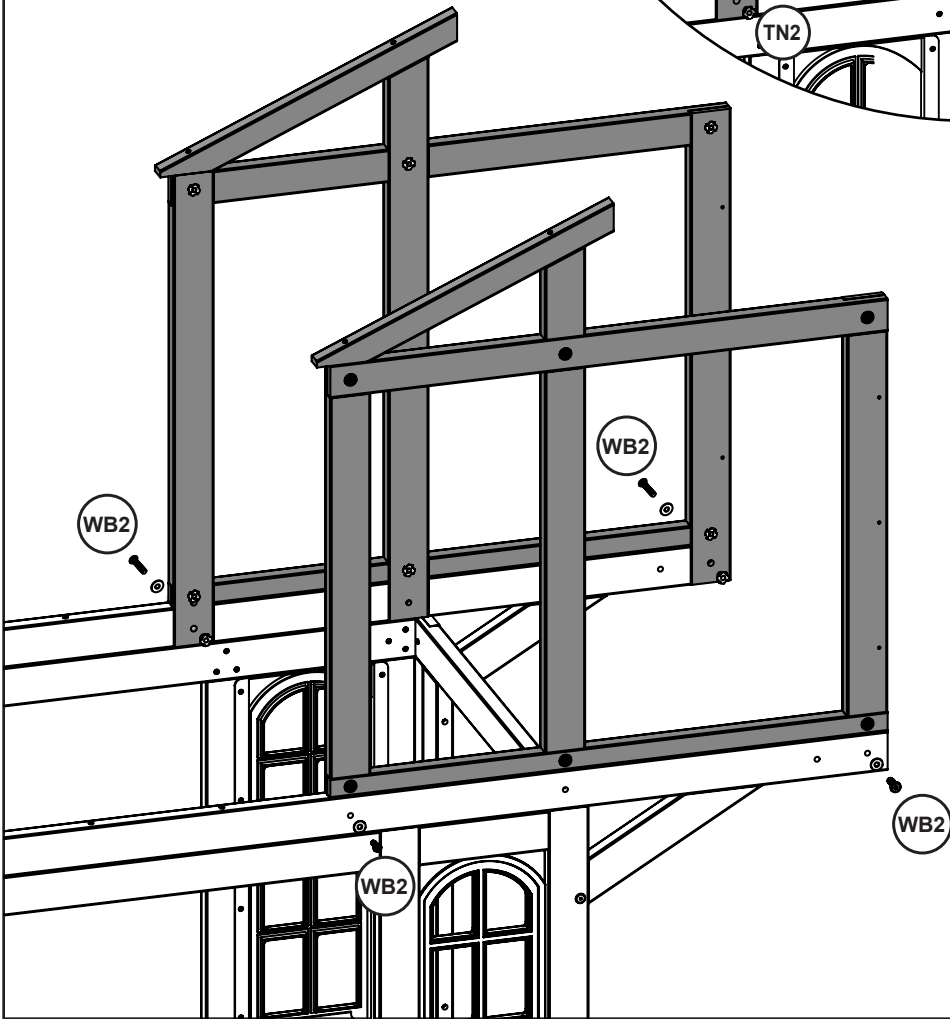
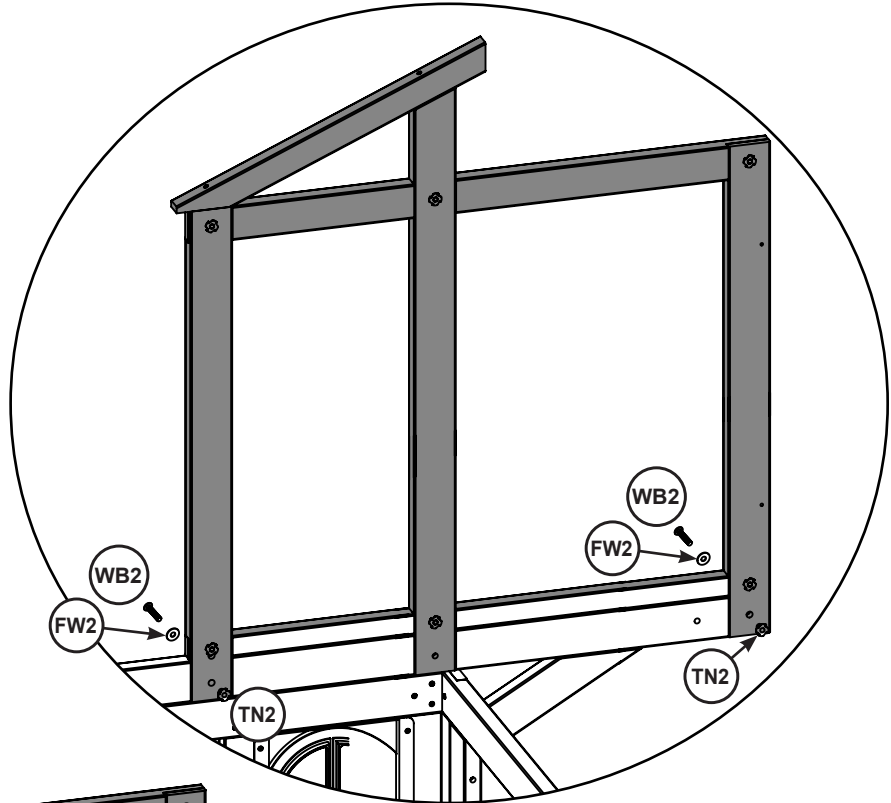
Hardware

4 x S4 #8 x 76.2 mm (#8 x 3")

Step 23



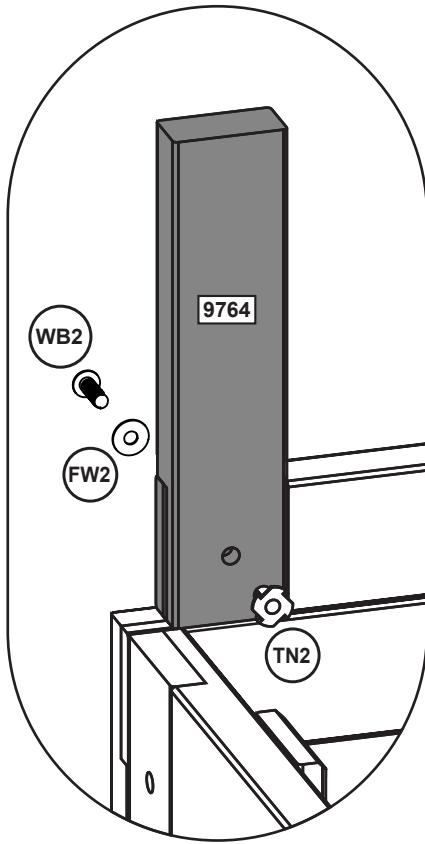
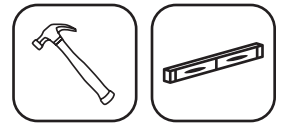
Assemble TN2
first with hammer



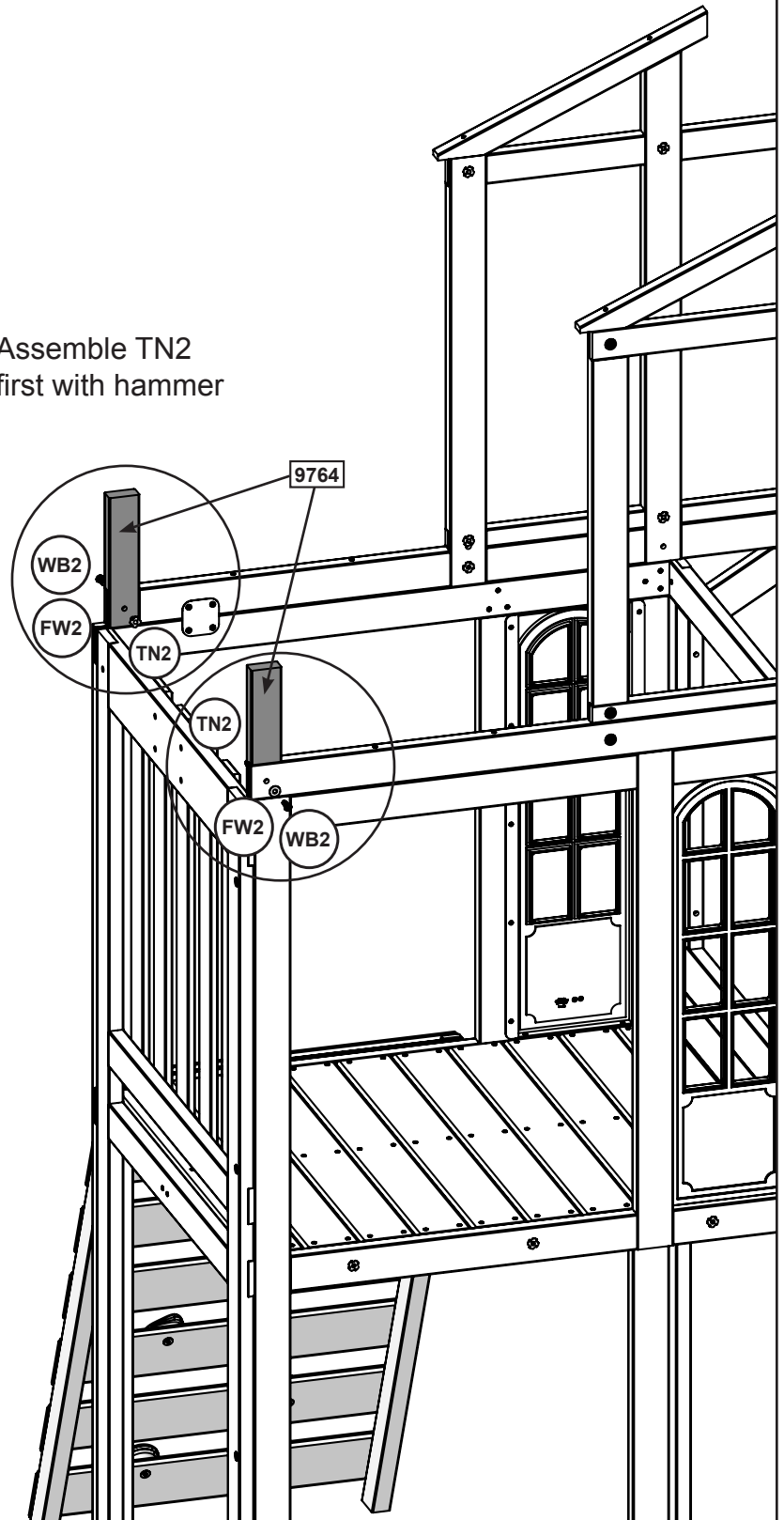
Hardware

4 x  7.9 x 34.9 mm (5/16 x 1-3/8") (FW2, TN2)

Step 24



Assemble TN2
first with hammer



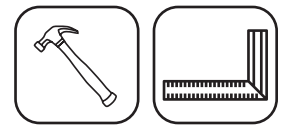
Wood Parts

2 x 9764 31.8 x 63.5 x 279.4 mm (1-1/4 x 2-1/2 x 11")

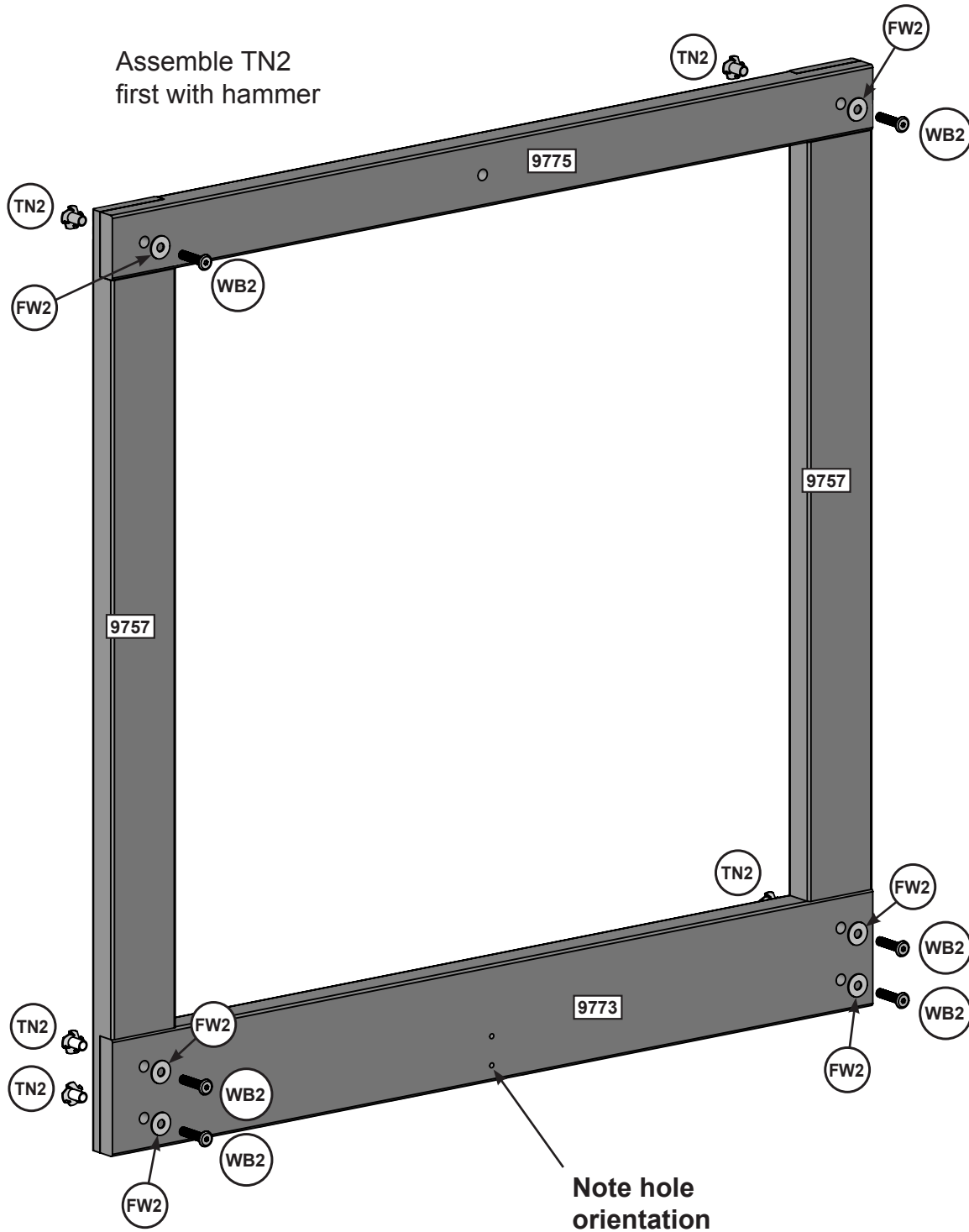
Hardware

2 x WB2 7.9 x 34.9 mm (5/16 x 1-3/8") (FW2, TN2)

Step 25



Assemble TN2
first with hammer



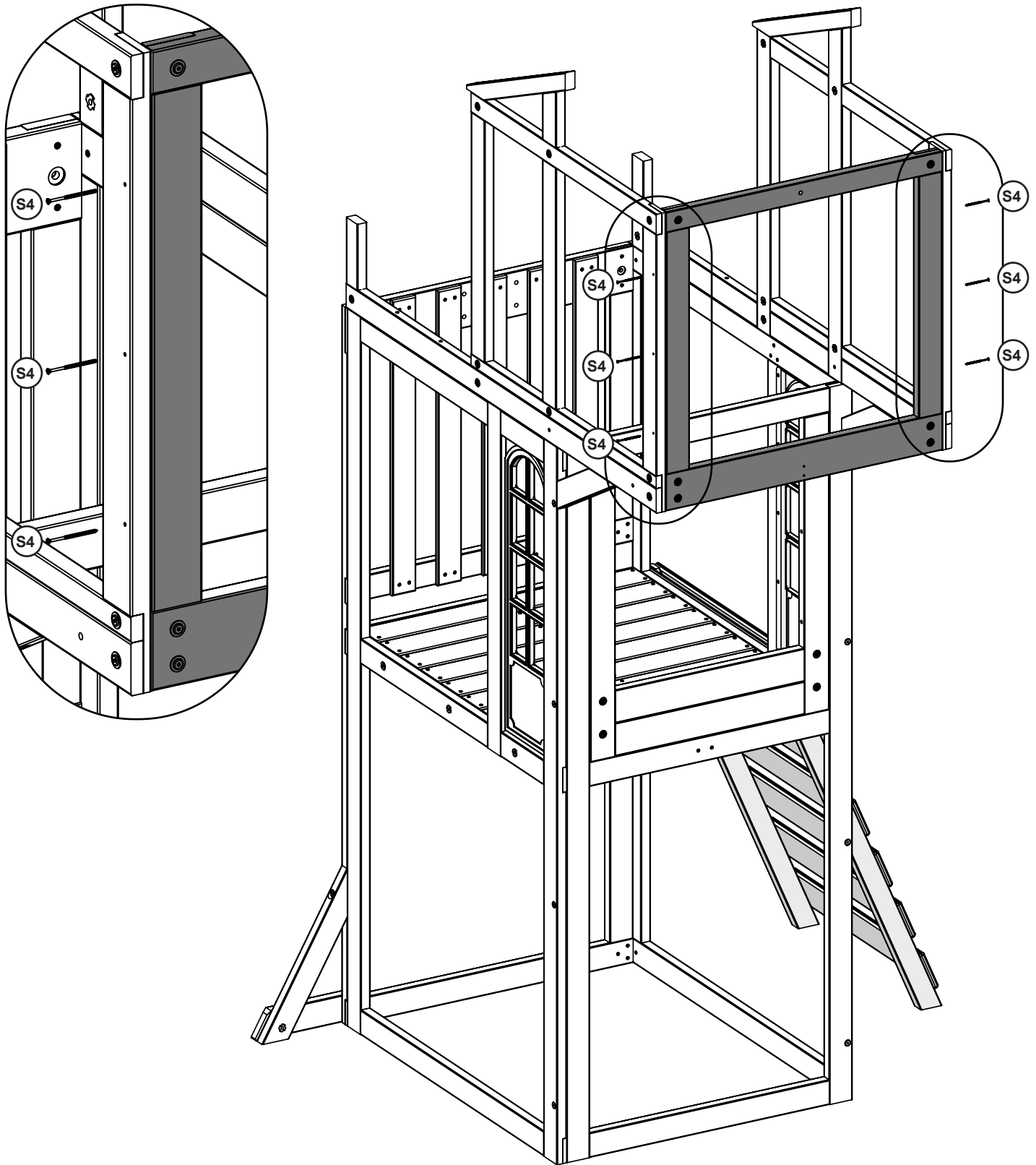
Wood Parts

- 2 x 9757 31.8 x 76.2 x 920.8 mm (1-1/4 x 3 x 36-1/4")
- 1 x 9773 31.8 x 114.3 x 906.1 mm (1-1/4 x 4-1/2 x 35-11/16")
- 1 x 9775 31.8 x 63.5 x 906.1 mm (1-1/4 x 2-1/2 x 35-11/16")

Hardware

- 6 x WB2 7.9 x 34.9 mm (5/16 x 1-3/8") (FW2, TN2)

Step 26



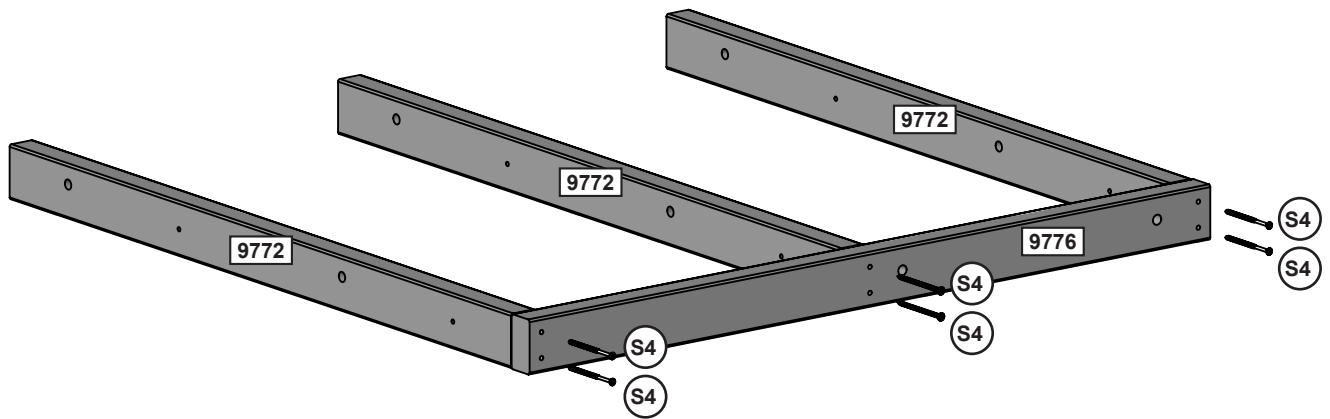
Hardware

6 x  #8 x 76.2 mm (#8 x 3")

Step 27



Note hole orientation



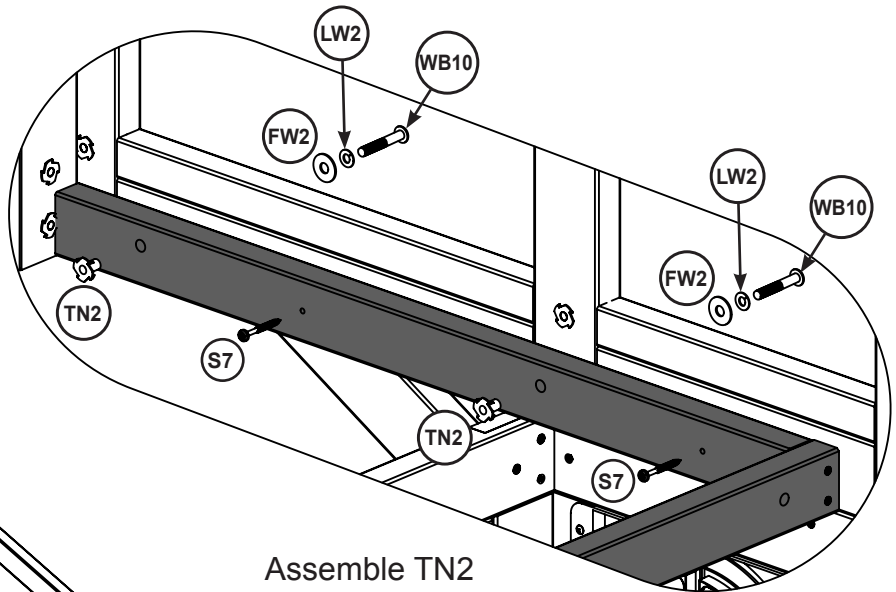
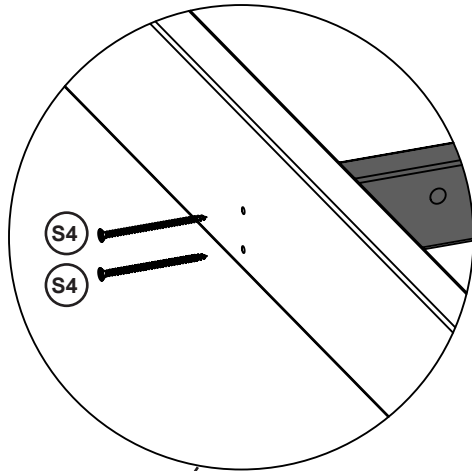
Wood Parts

- 3 x 31.8 x 60.3 x 872.2 mm (1-1/4 x 2-3/8 x 34-5/16")
- 1 x 31.8 x 60.3 x 908 mm (1-1/4 x 2-3/8 x 35-3/4")

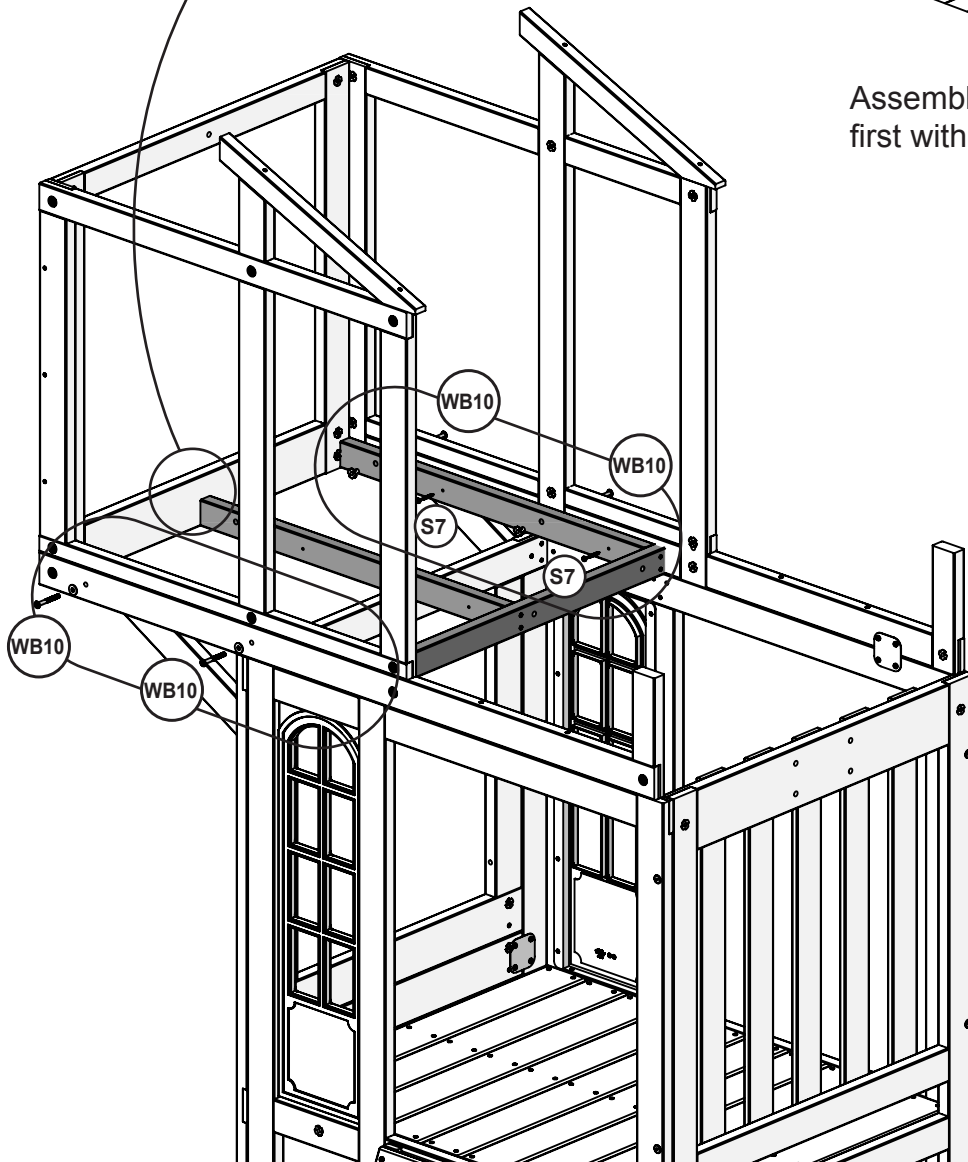
Hardware

- 6 x #8 x 76.2 mm (#8 x 3")

Step 28



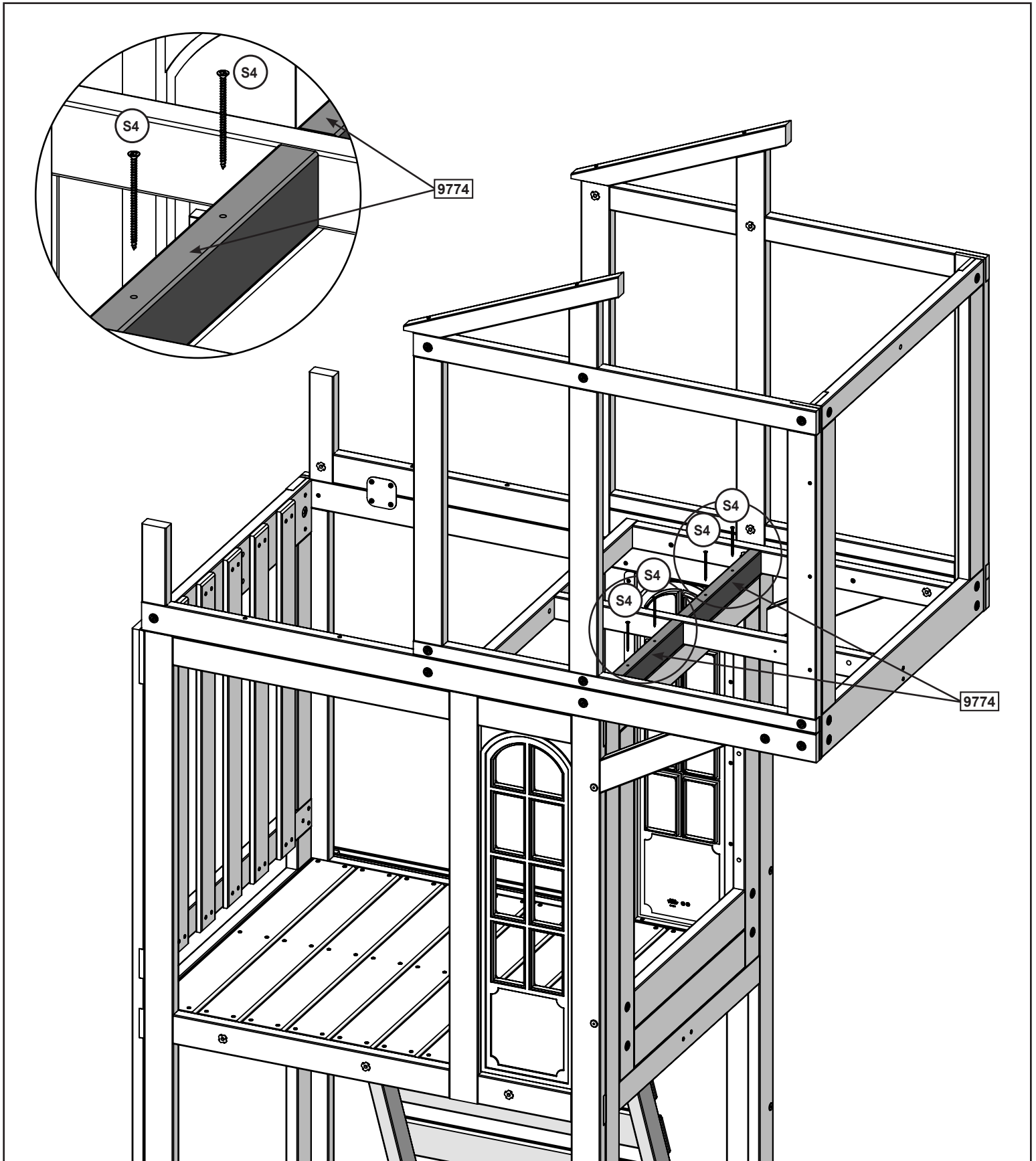
Assemble TN2 first with hammer



Hardware

- 4 x 7.9 x 66.7 mm (5/16 x 2-5/8") (FW2, LW2, TN2) 2 x #8 x 76.2 mm (#8 x 3")
- 4 x #12 x 50.8 mm (#12 x 2")

Step 29



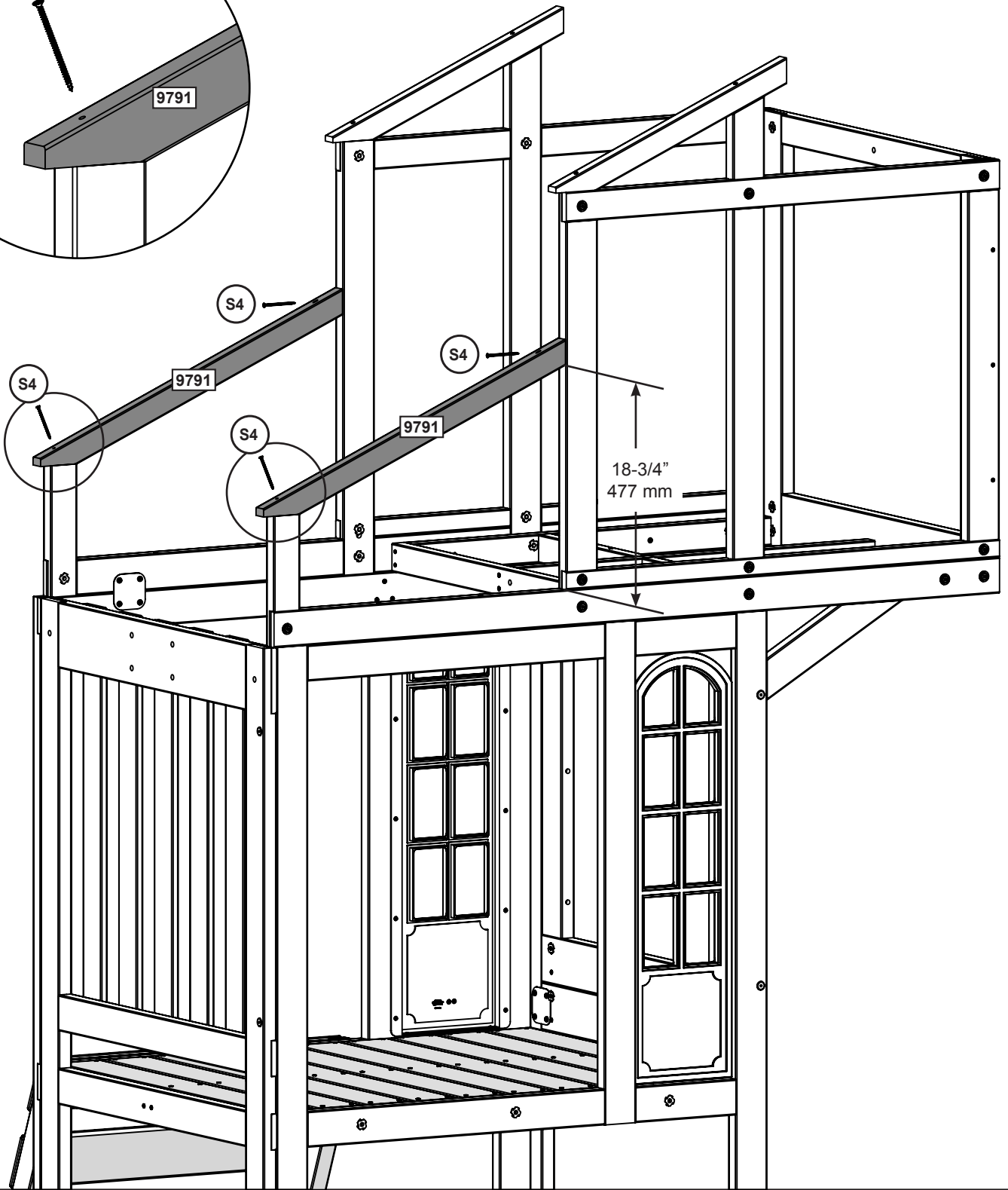
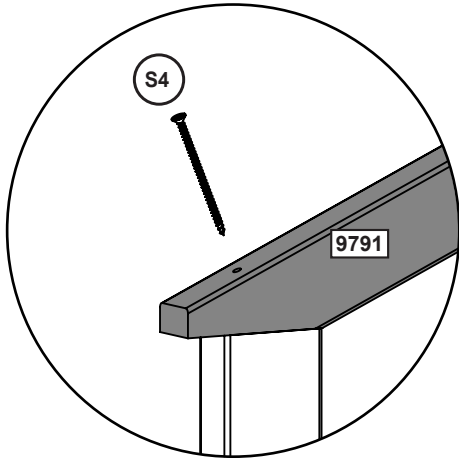
Wood Parts

2 x **9774** 31.8 x 60.3 x 404.8 mm (1-1/4 x 2-3/8 x 15-15/16")

Hardware

4 x **S4** #8 x 76.2 mm (#8 x 3")

Step 30



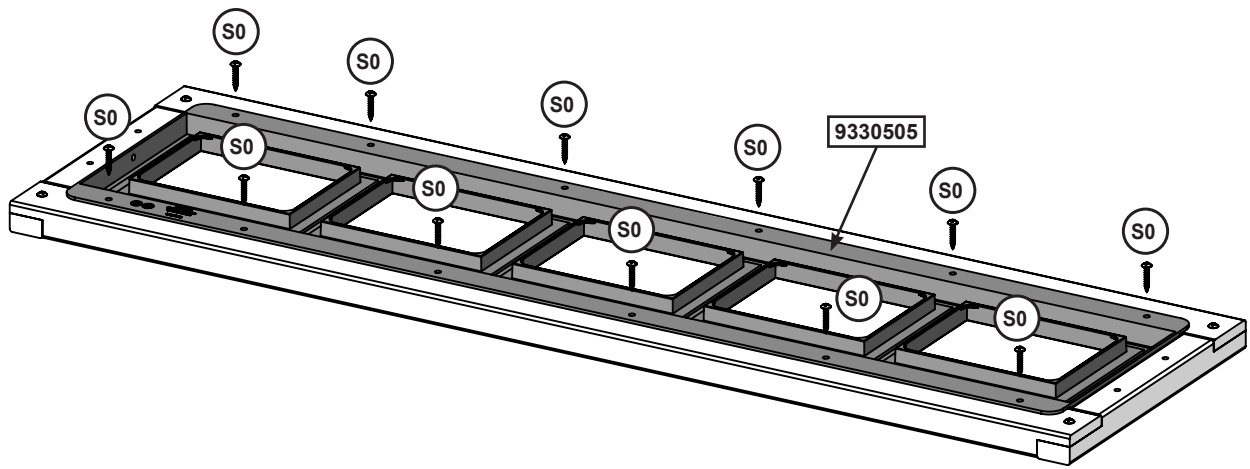
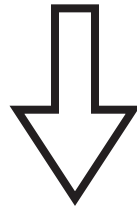
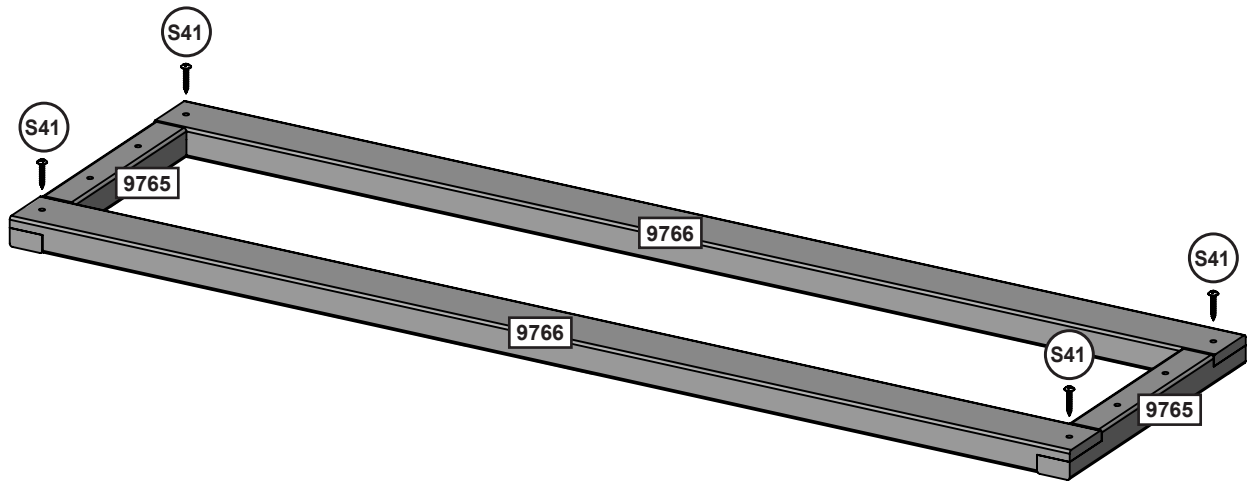
Wood Parts

2 x 9791 31.8 x 50.8 x 804.7 mm (1-1/4 x 2 x 31-11/16")

Hardware

4 x S4 #8 x 76.2 mm (#8 x 3")

Step 31 x 2



Wood Parts

- 4 x 9765 25.4 x 30 x 279.4 mm (1 x 1-3/16 x 11")
- 4 x 9766 25.4 x 50.8 x 971.6 mm (1 x 2 x 38-1/4")

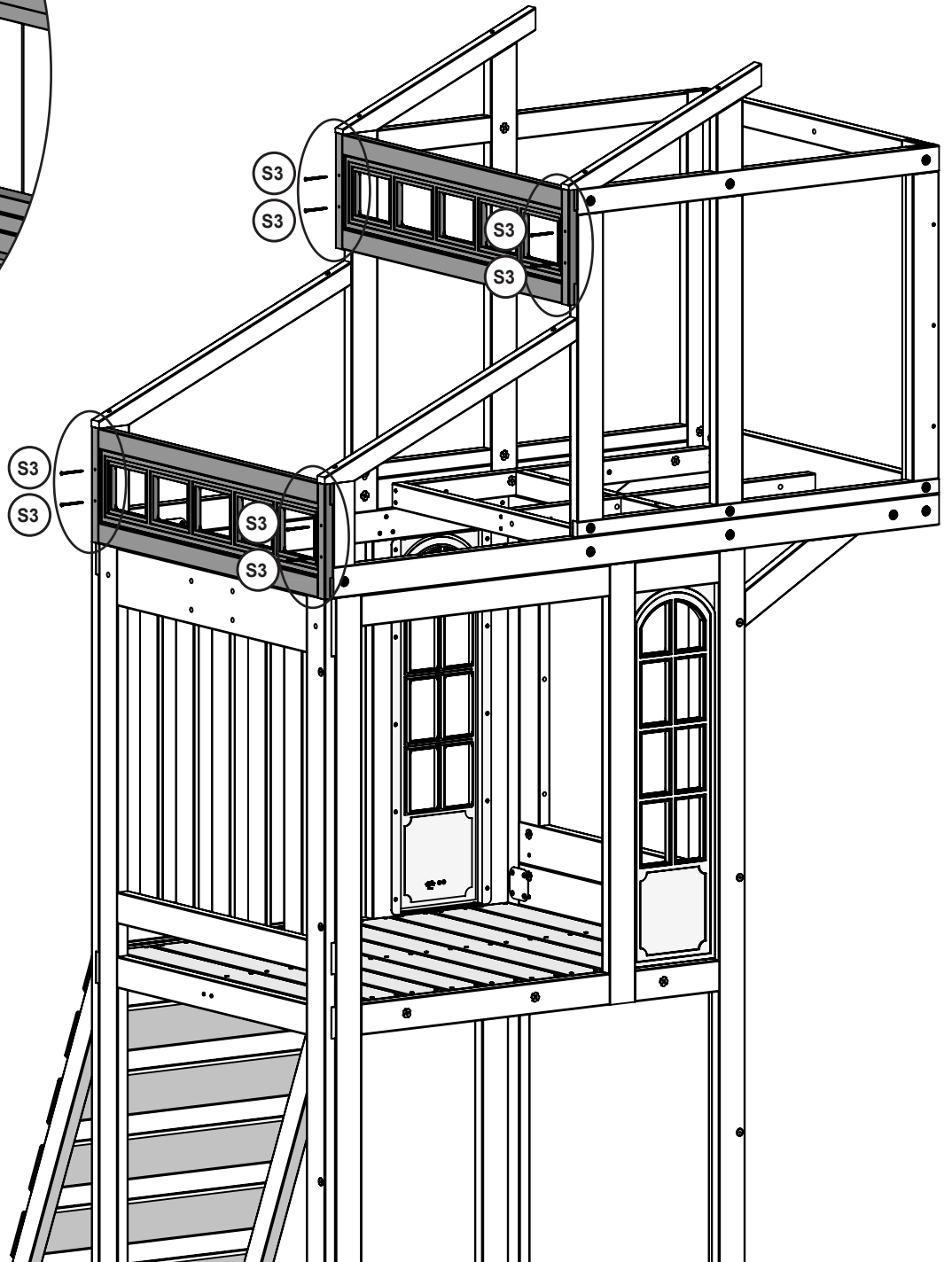
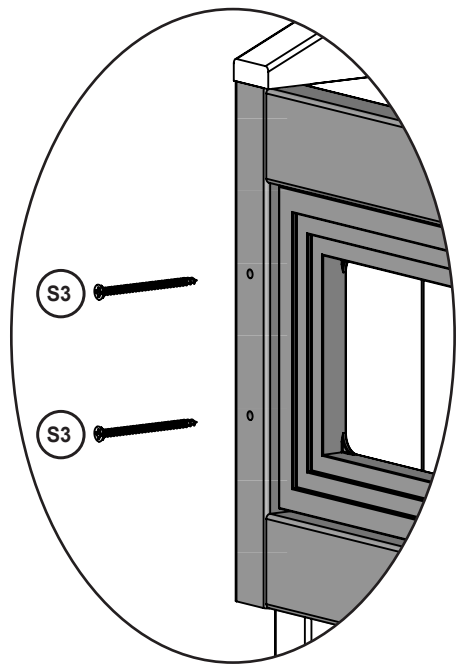
Hardware

- 24 x S0 #8 x 22.2 mm (#8 x 7/8")
- 8 x S41 #8 x 22.2 mm (#8 x 7/8")


Other Parts

- 2 x 9330505

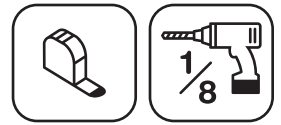
Step 32



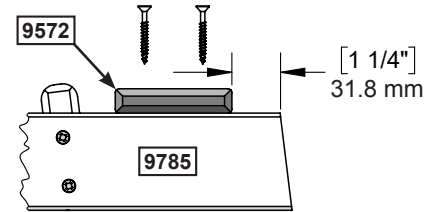
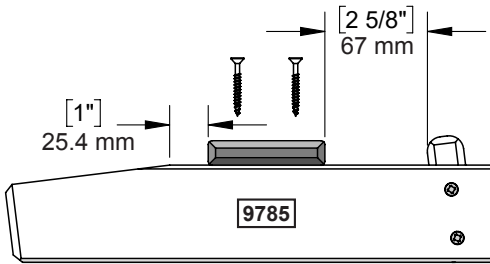
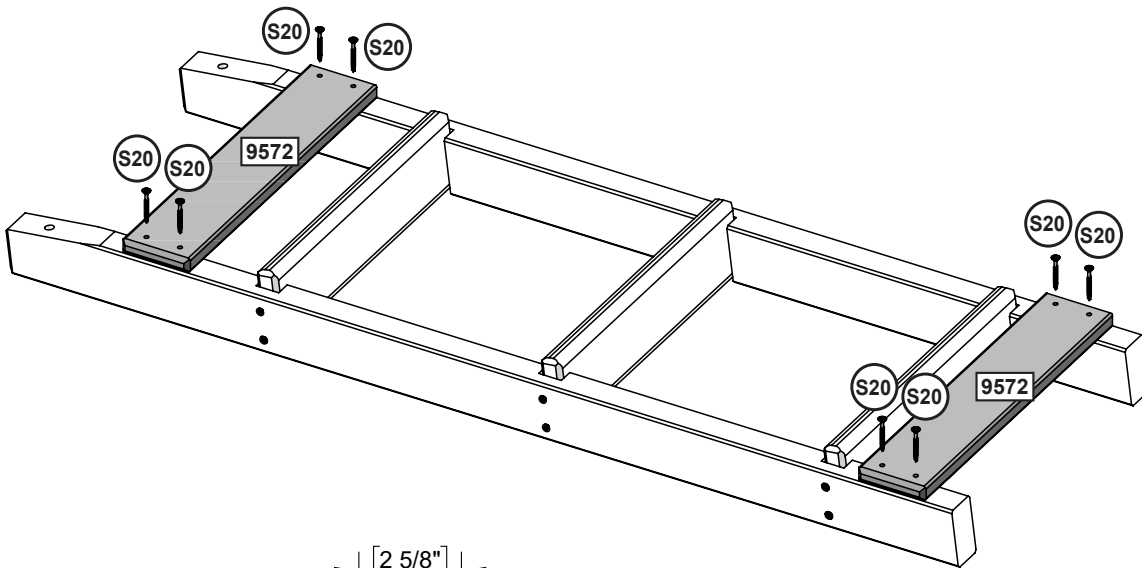
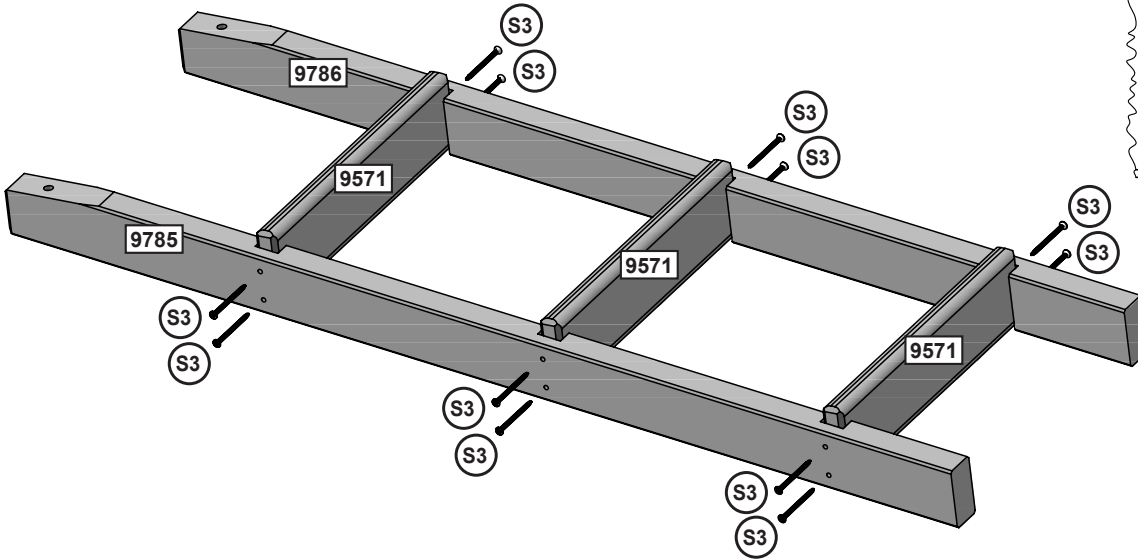
Hardware

8 x  #8 x 63.5 mm (#8 x 2-1/2")

Step 33



Pre-drill holes using a 1/8" drill bit.



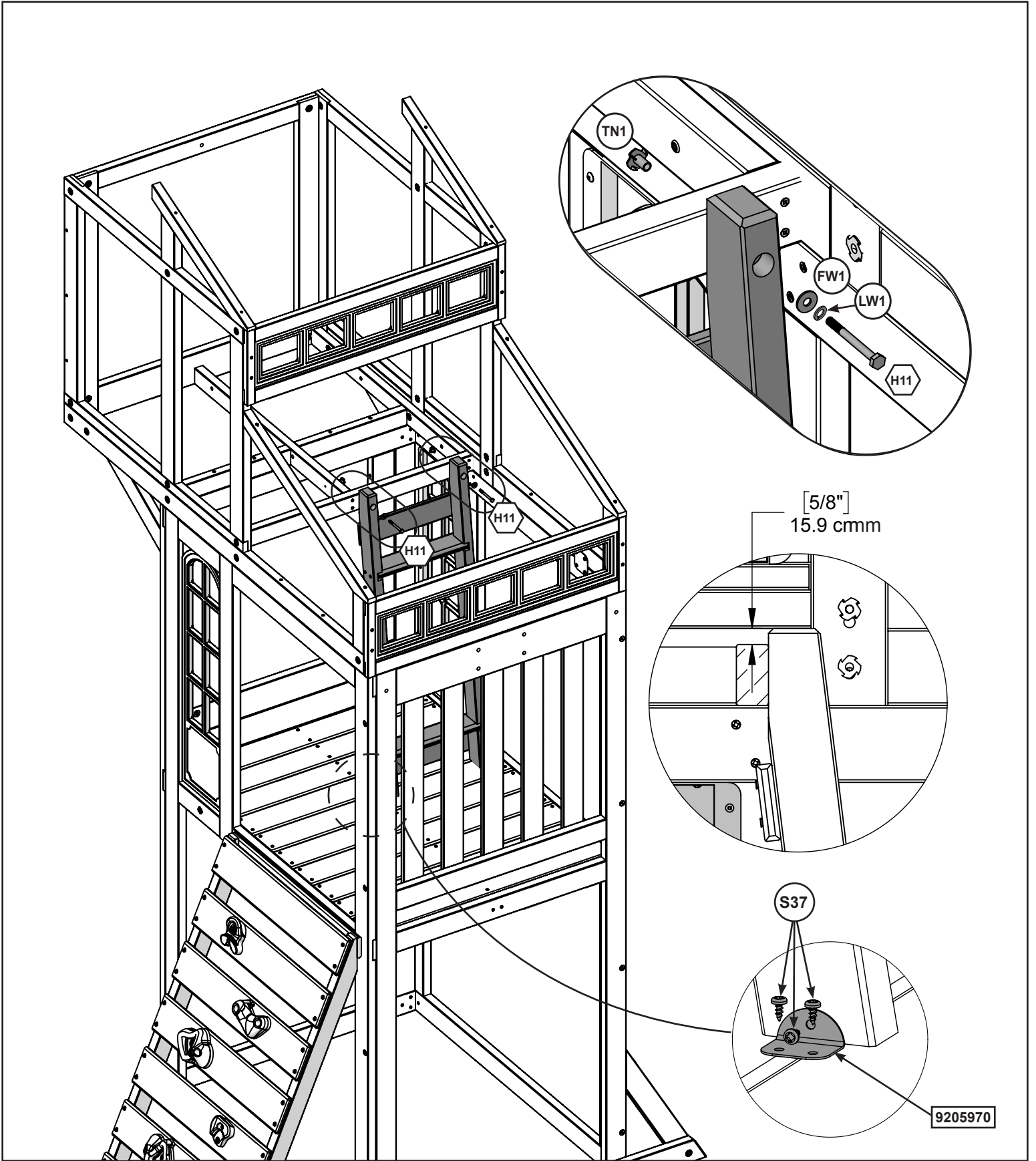
Wood Parts

- 3 x 9571 23.8 x 82.6 x 343 mm (15/16 x 3-1/4 x 13-1/2")
- 2 x 9572 15.9 x 76.2 x 374.6 mm (5/8 x 3 x 14-3/4")
- 1 x 9785 34.9 x 63.5 x 1080.4 mm (1-3/8 x 2-1/2 x 42-9/16")
- 1 x 9786 34.9 x 63.5 x 1080.4 mm (1-3/8 x 2-1/2 x 42-9/16")

Hardware

- 12 x S3 #8 x 63.5 mm (#8 x 2-1/2")
- 8 x S20 #8 x 34.9 mm (#8 x 1-3/8")

Step 34



Hardware

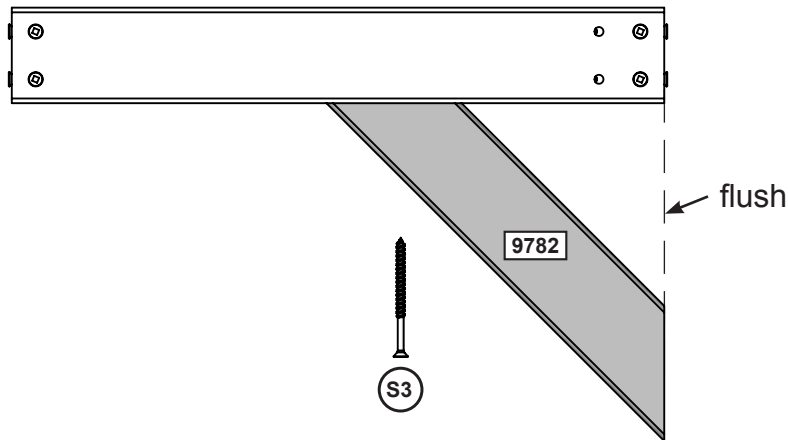
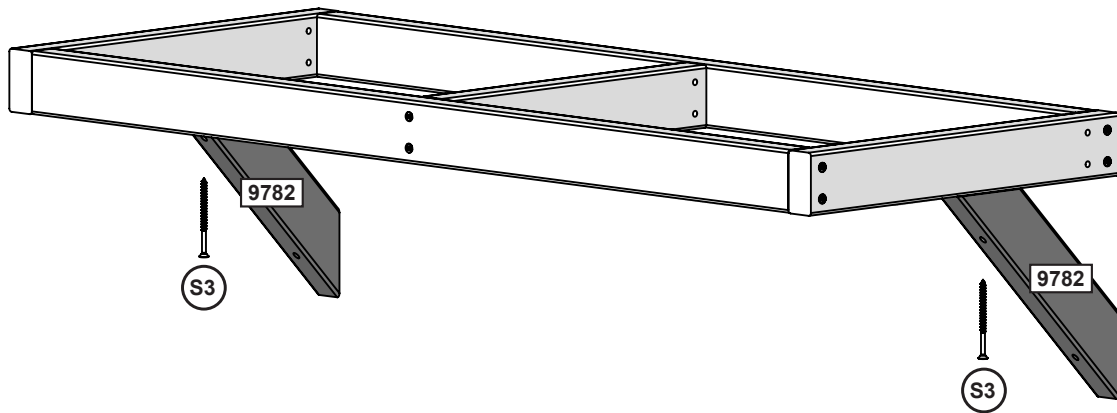
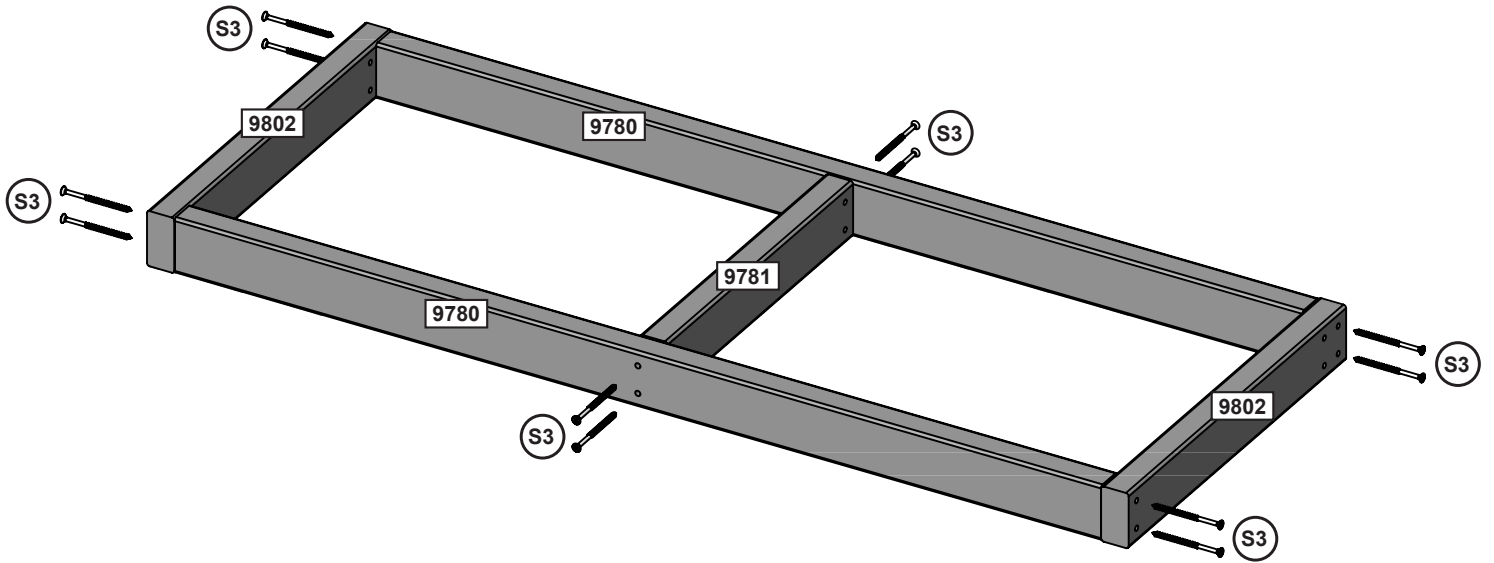
2 x 6.35 x 70 mm (1/4 x 2-3/4") (FW1, LW1, TN1)

3 x #7 x 15.9 mm (#7 x 5/8")

Other Parts

1 x 9205970

Step 35



Wood Parts

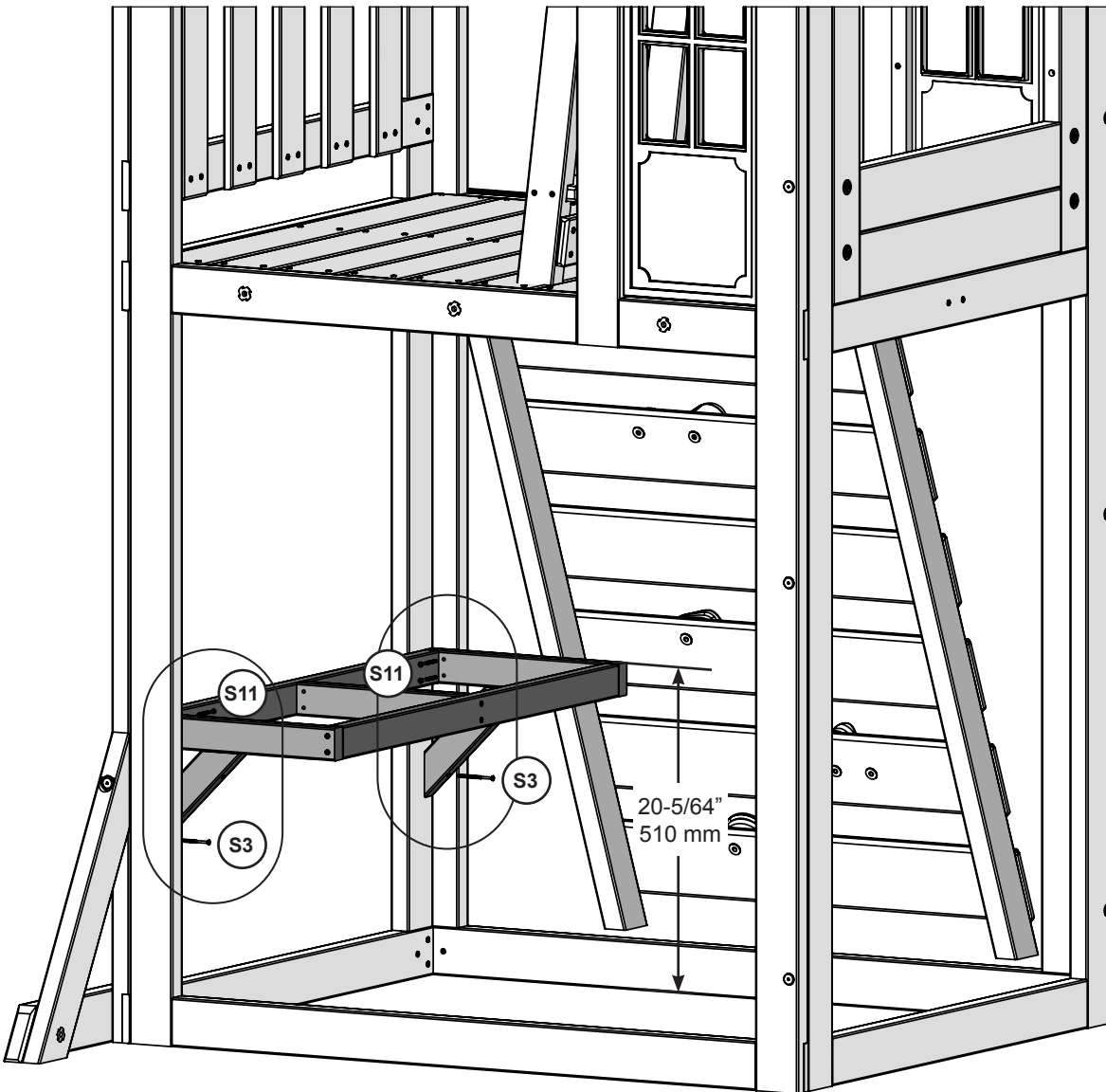
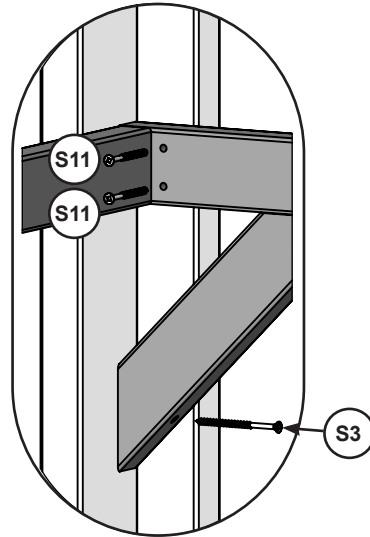
- 2 x 9780 25.4 x 50.8 x 853.2 mm (1 x 2 x 33-9/16")
- 1 x 9781 25.4 x 50.8 x 296 mm (1 x 2 x 11-5/8")
- 2 x 9782 25.4 x 50.8 x 254 mm (1 x 2 x 10")

- 2 x 9802 25.4 x 50.8 x 346.9 mm (1 x 2 x 13-11/16")

Hardware

- 14 x S3 #8 x 63.5 mm (#8 x 2-1/2")

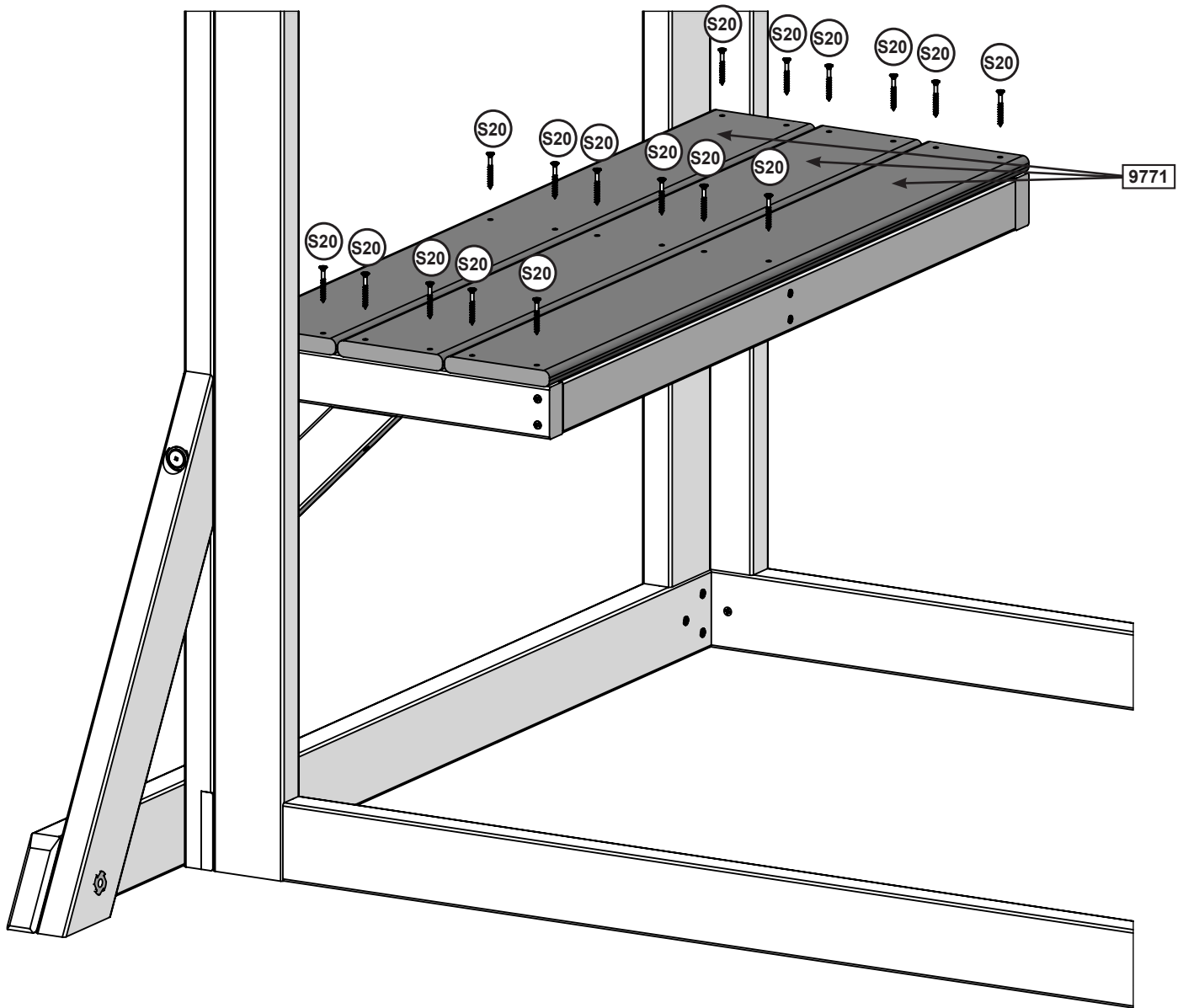
Step 36



Hardware

- 2 x #8 x 63.5 mm (#8 x 2-1/2")
- 4 x #8 x 50.8 mm (#8 x 2")

Step 37



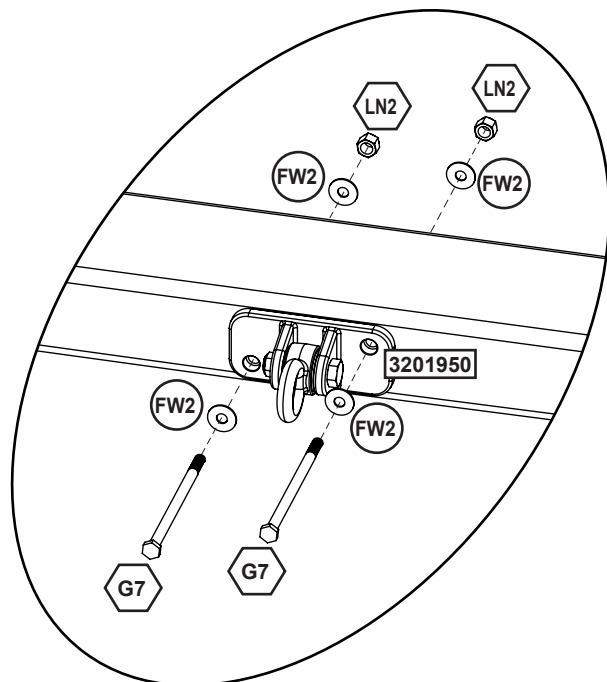
Wood Parts

3 x 9771 15.9 x 114.3 x 906 mm (5/8 x 4-1/2 x 35-43/64")

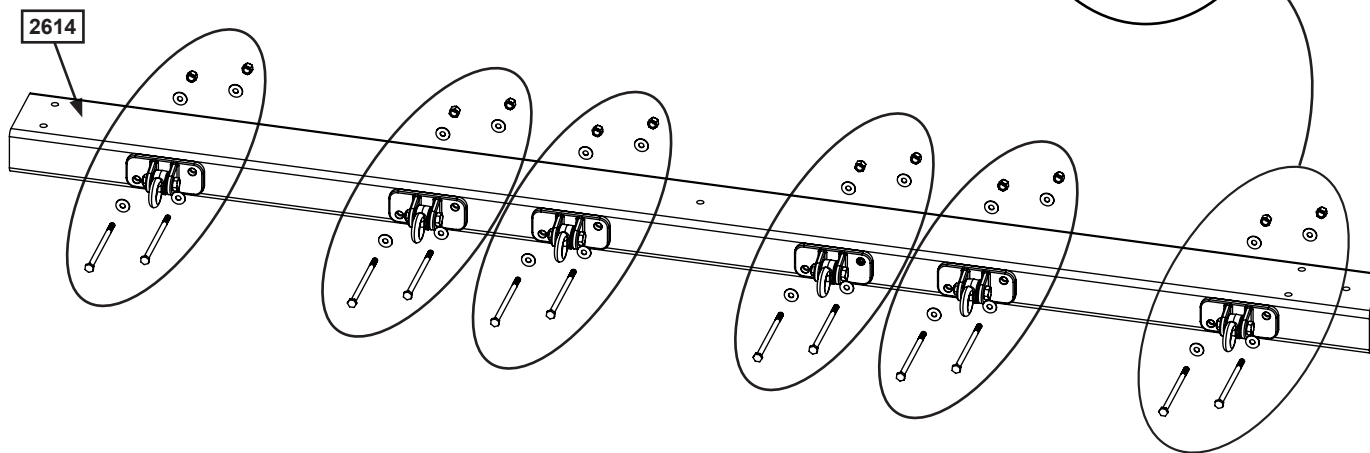
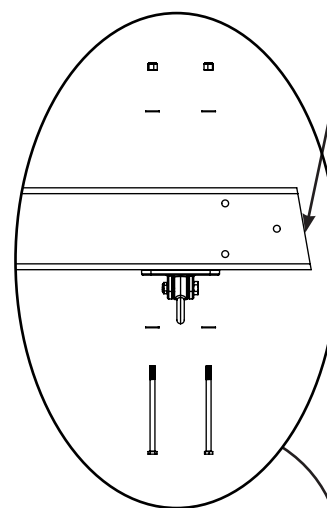
Hardware

18 x S20 #8 x 34.9 mm (#8 x 1-3/8")

Step 38



Notice Angle Orientation



Wood Parts

1 x **2614** 76.2 x 133.4 x 2235.2 mm (3" x 5-1/4" x 88")

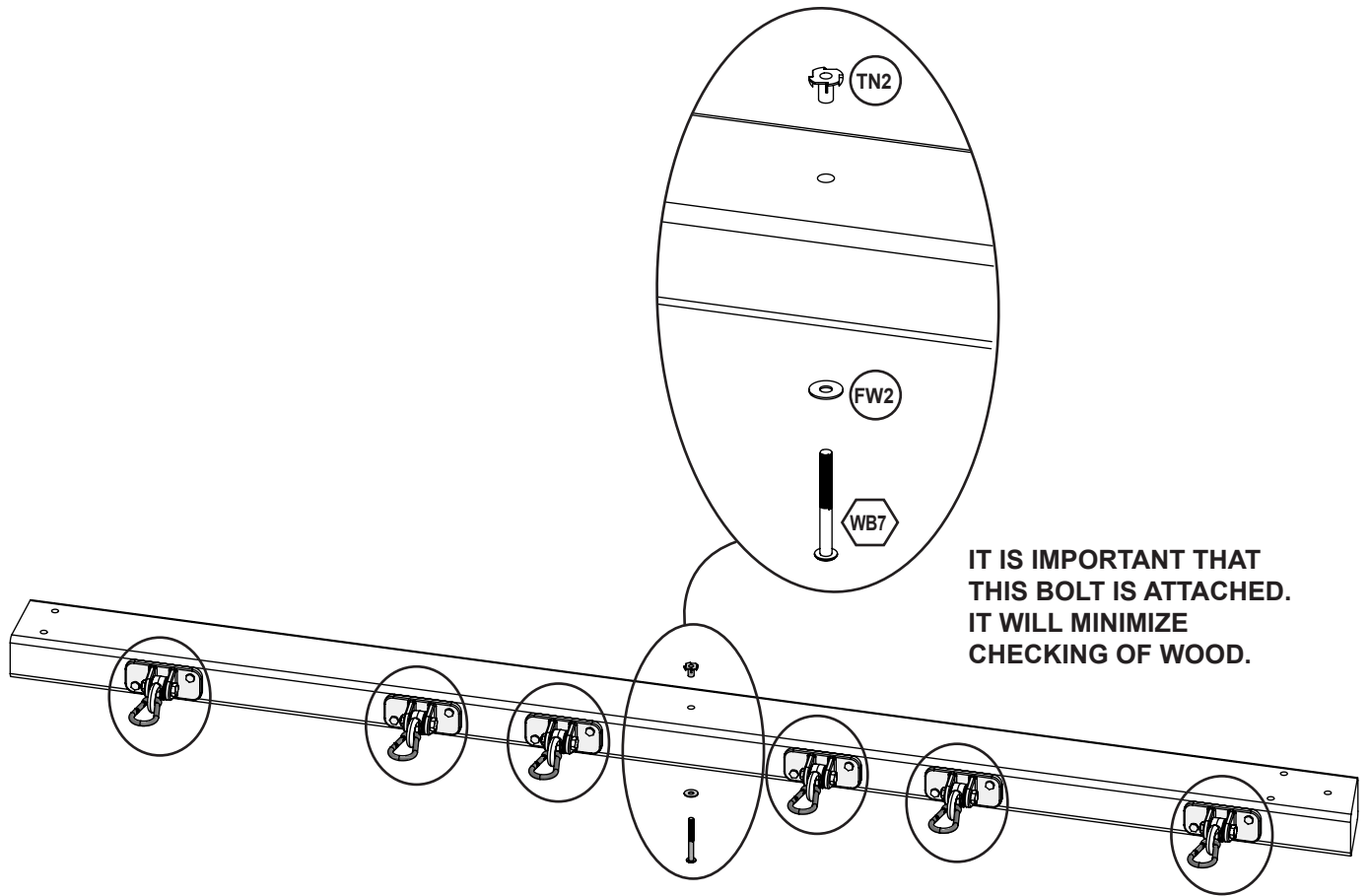
Hardware

12 x **G7** 7.9mm x 139.7 mm (5/16 x 5-1/2") (LN2, 2 x FW2)

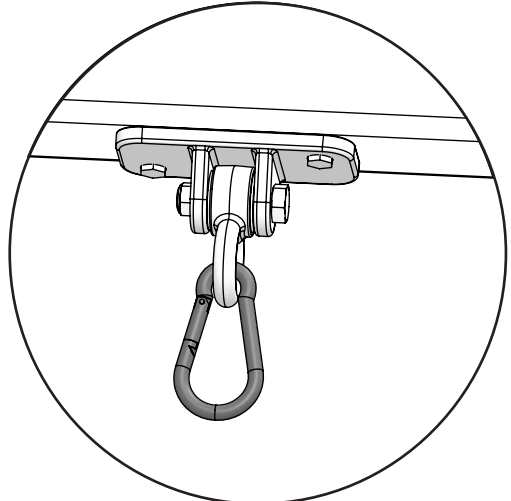
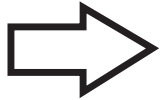
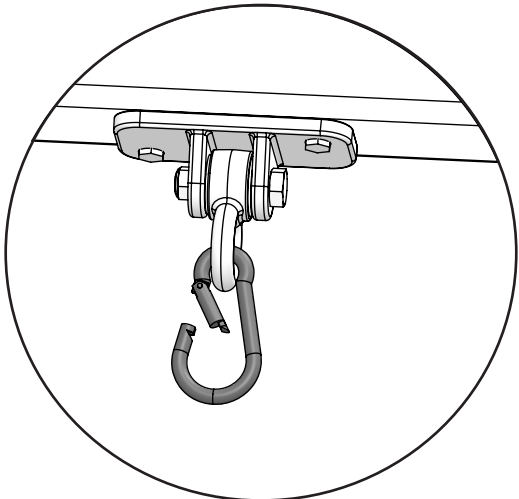
Other Parts

1 x **3201950**

Step 39




IT IS IMPORTANT THAT THIS BOLT IS ATTACHED. IT WILL MINIMIZE CHECKING OF WOOD.

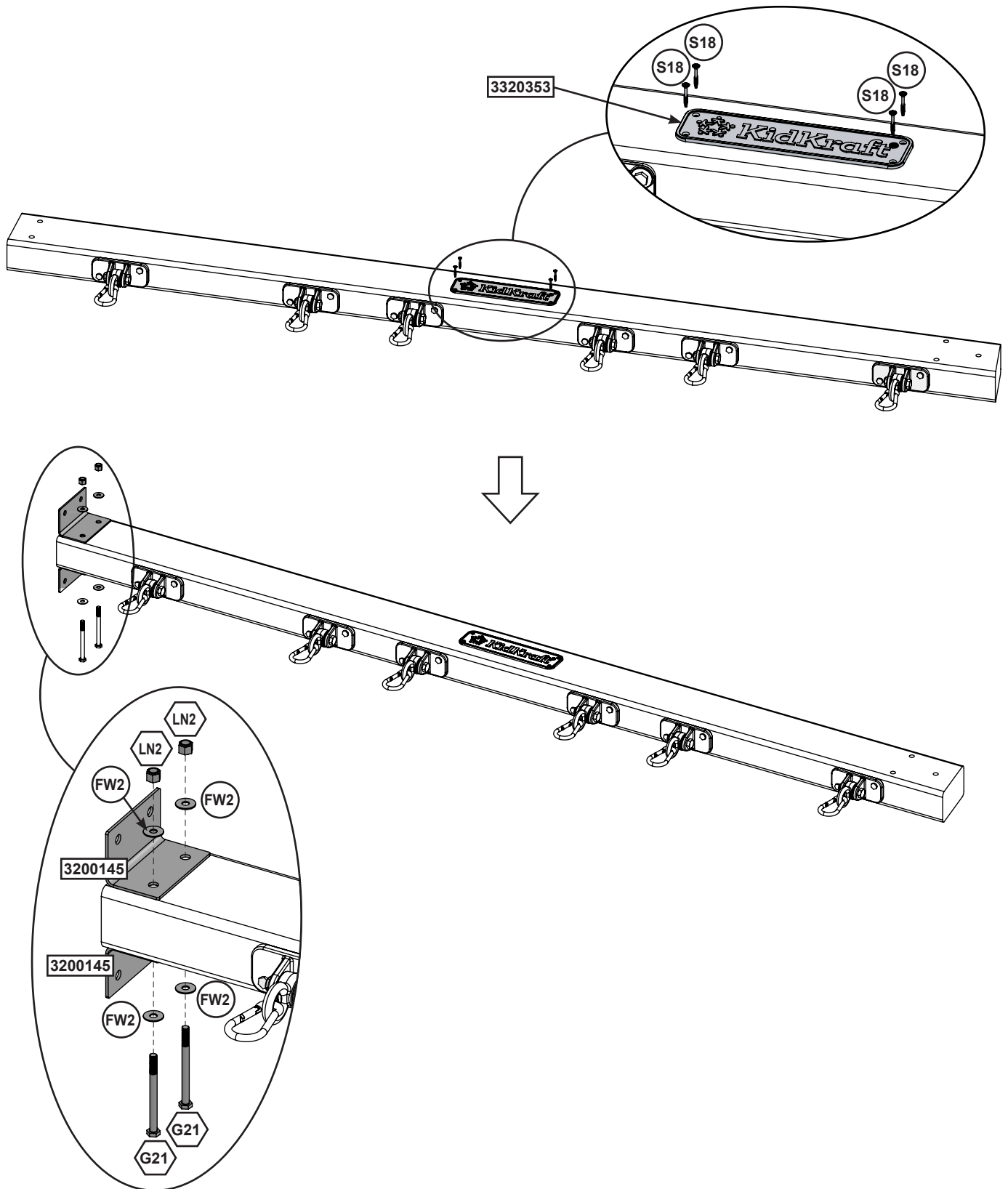


Caution: The Spring Loaded Quick Link must be attached to the Heavy Duty Swing Hanger in the closed position.



Hardware

1 x  7.9mm x 76.2mm (5/16 x 3") (FW2 , TN2)



Step 40



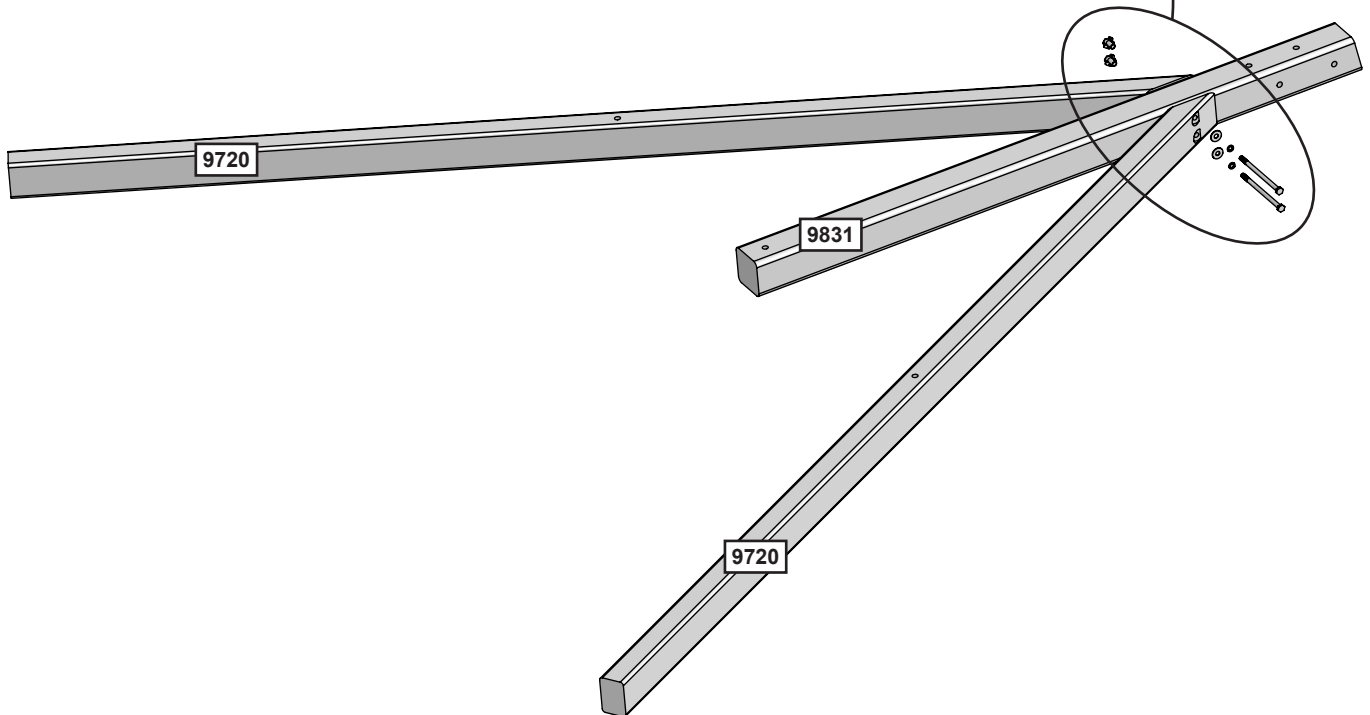
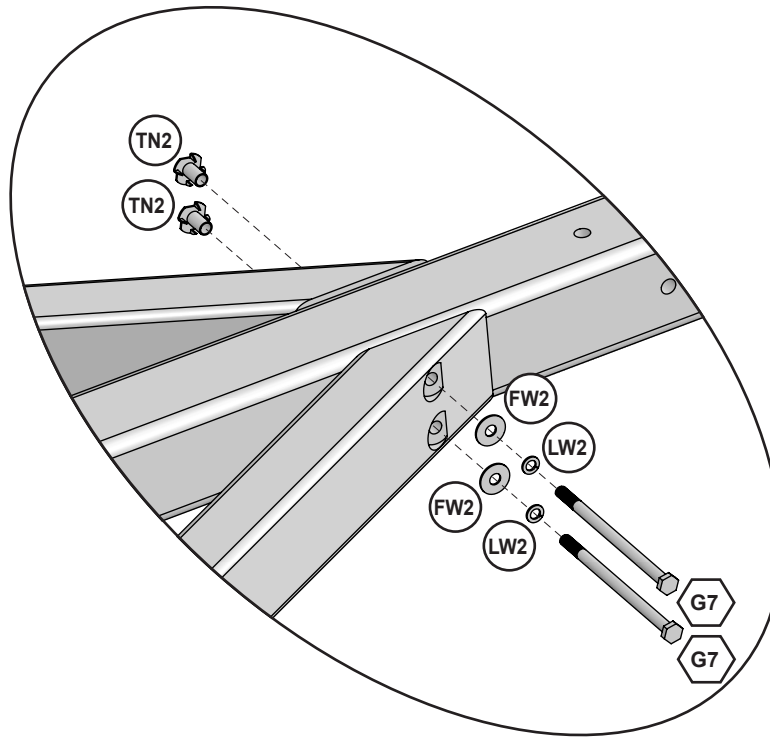
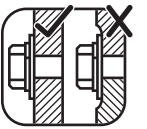
Hardware

- 2 x  7.9 x 95 mm (5/16 x 3-3/4") (2 x FW2, LN2)
- 4 x  #6 x 25.4 mm (#6 x 1")

Other Parts

- 1 x  3200145
- 1 x  3320353

Step 41



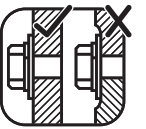
Wood Parts

- 2 x **9720** 50.8 x 76.2 x 2063.9 mm (2 x 3 x 81-1/4")
- 1 x **9831** 76.2 x 76.2 x 1425.8 mm (3 x 3 x 56-1/8")

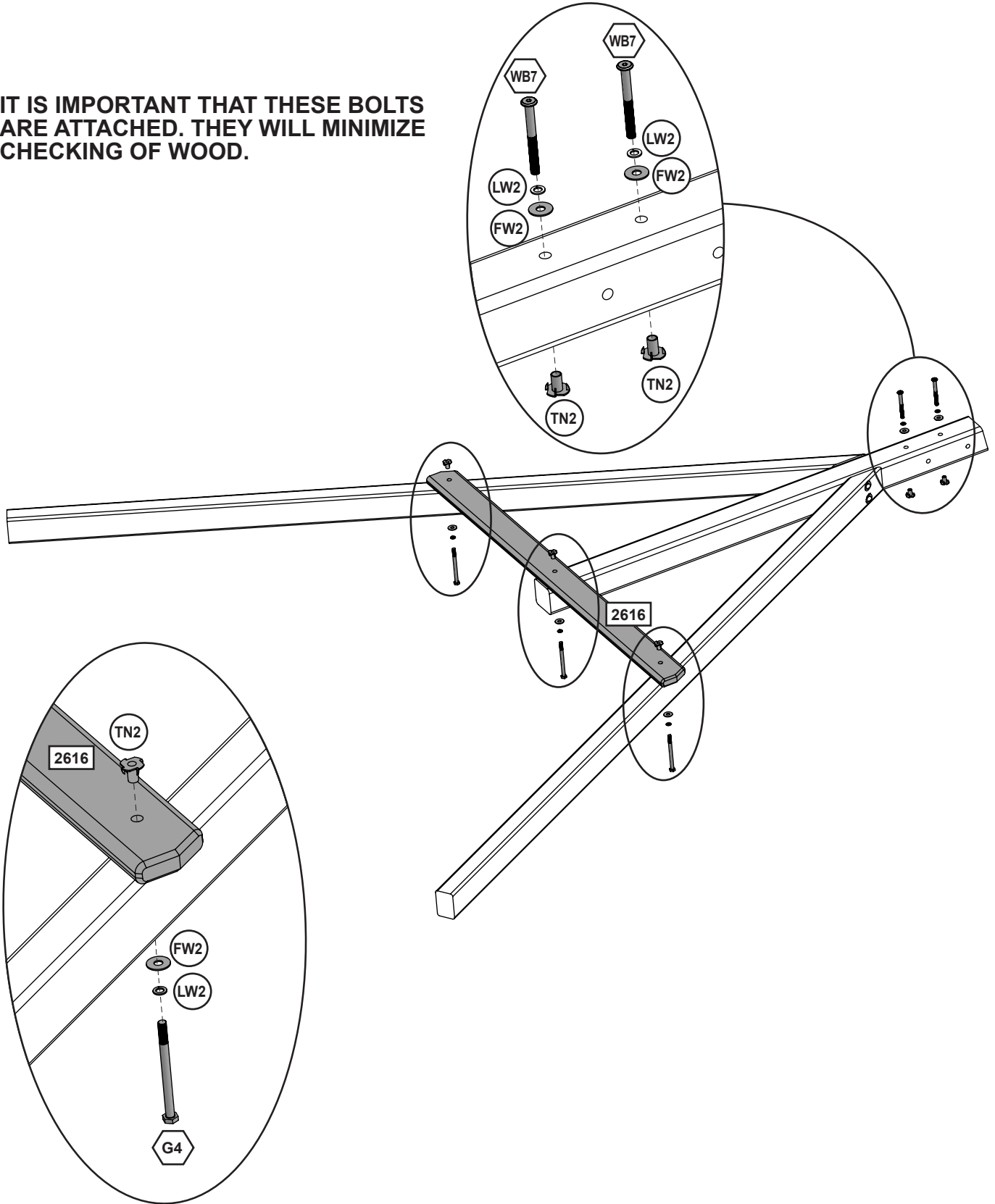
Hardware

- 2 x **G7** 7.9 x 139.7 mm (5/16 x 5-1/2") (LW2, FW2, TN2)

Step 42



IT IS IMPORTANT THAT THESE BOLTS ARE ATTACHED. THEY WILL MINIMIZE CHECKING OF WOOD.



Wood Parts

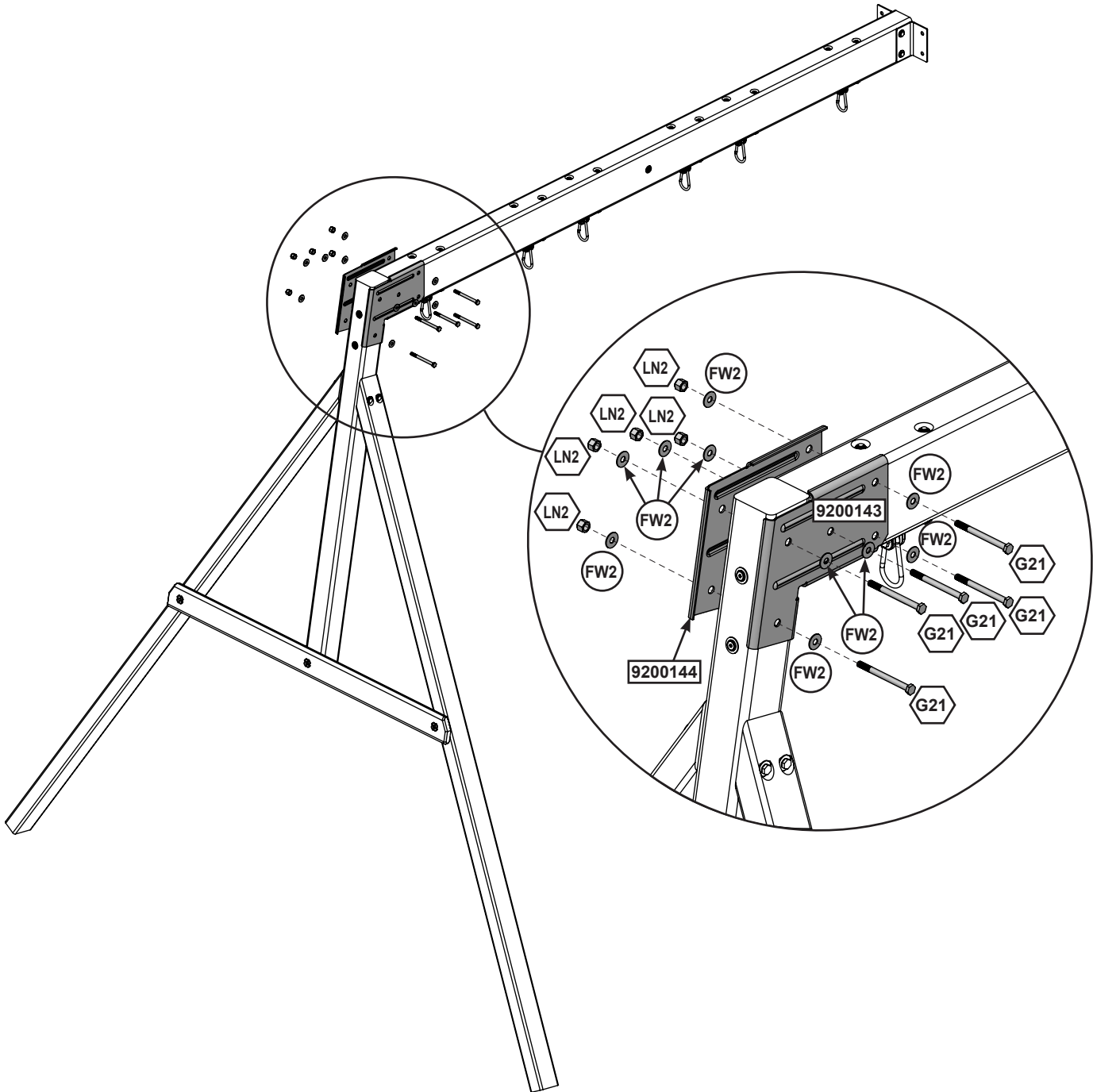
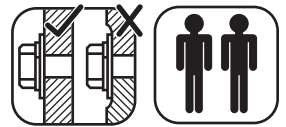
1 x **2616** 23.8 x 82.6 x 1181.1mm (15/16 x 3-1/4 x 46-1/2")

Hardware


3 x **G4** 7.9mm x 101.6mm (5/16 x 4") (LW2, FW2, TN2)

2 x **WB7** 7.9mm x 76.2mm (5/16 x 3") (LW2, FW2, TN2)


Step 43

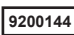


Hardware

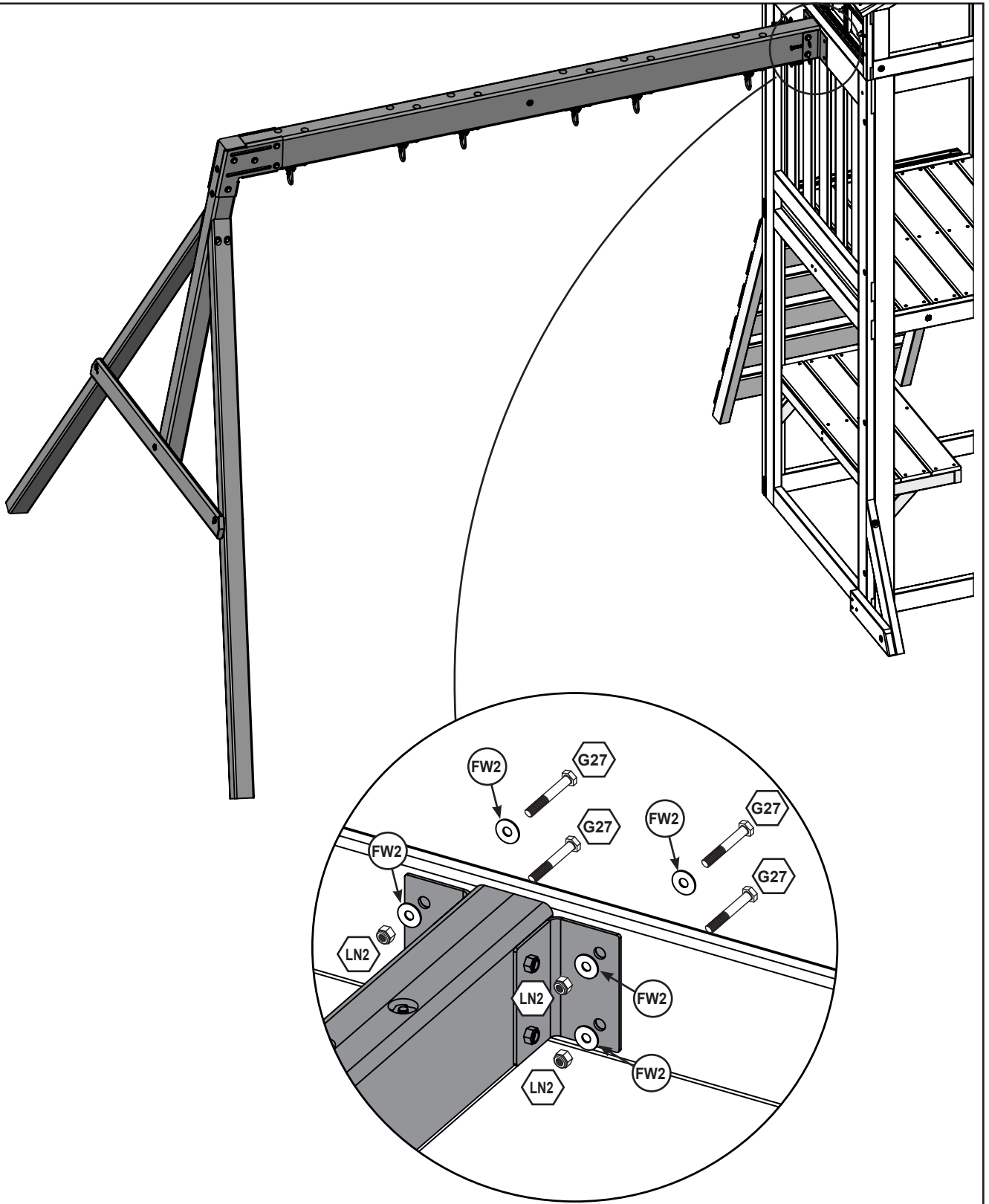
5 x  7.9 x 95 mm (5/16 x 3-3/4") (LN2, 2 x FW2)

Other Parts

1 x 

1 x 

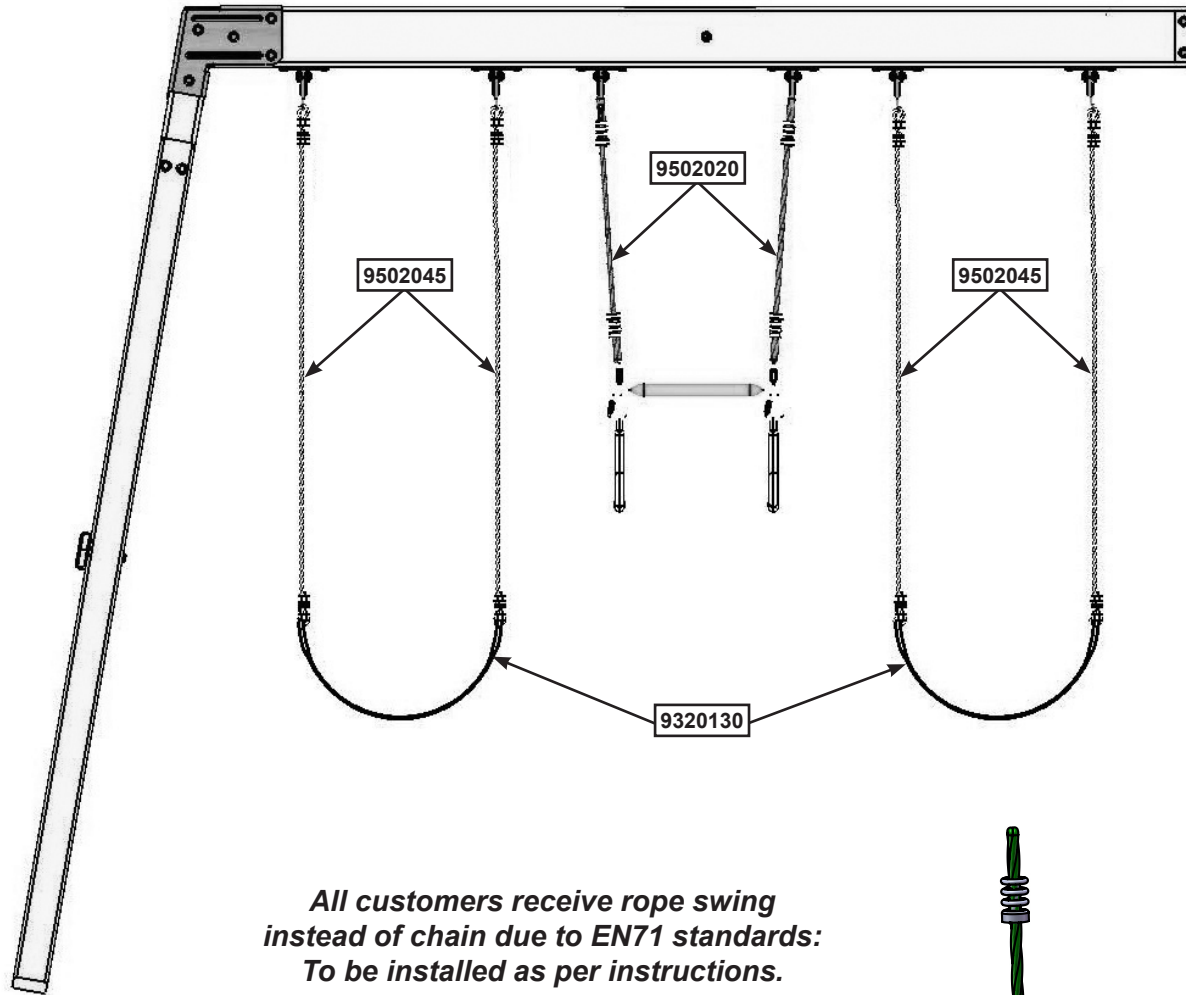
Step 44



Hardware

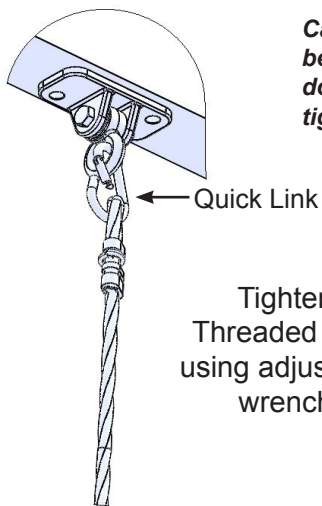
4 x  7.9 x 44.5 mm (5/16 x 1-3/4") (LN2, 2 x FW2)

Step 45



All customers receive rope swing instead of chain due to EN71 standards: To be installed as per instructions.

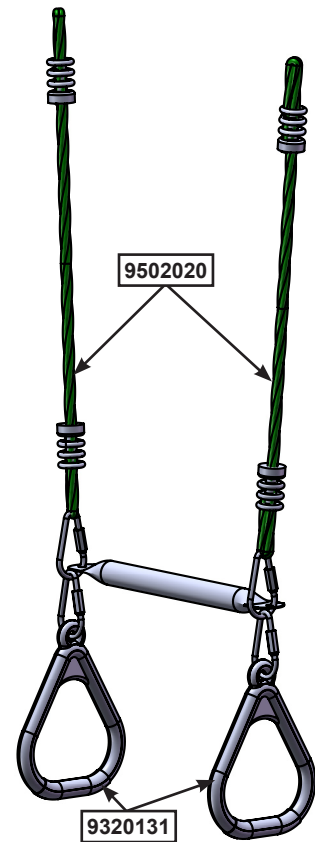
Caution: Threaded Quick Links must be installed with the gate completely down covering the threads and tighten as instructed.



Tighten Threaded Link using adjustable wrench



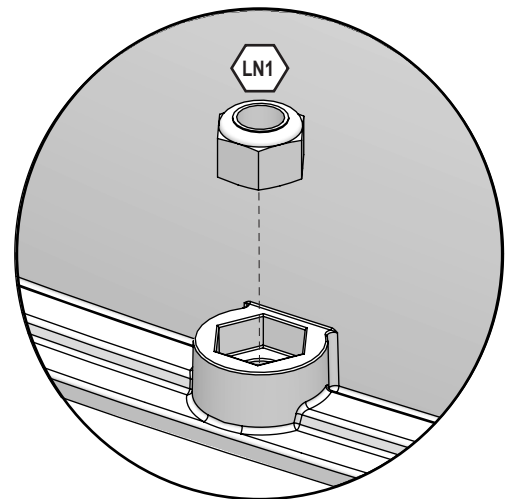
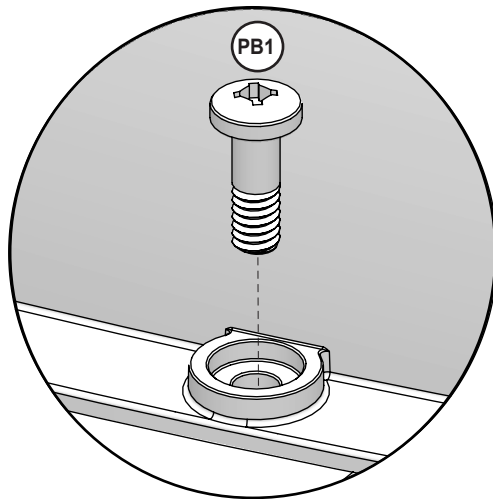
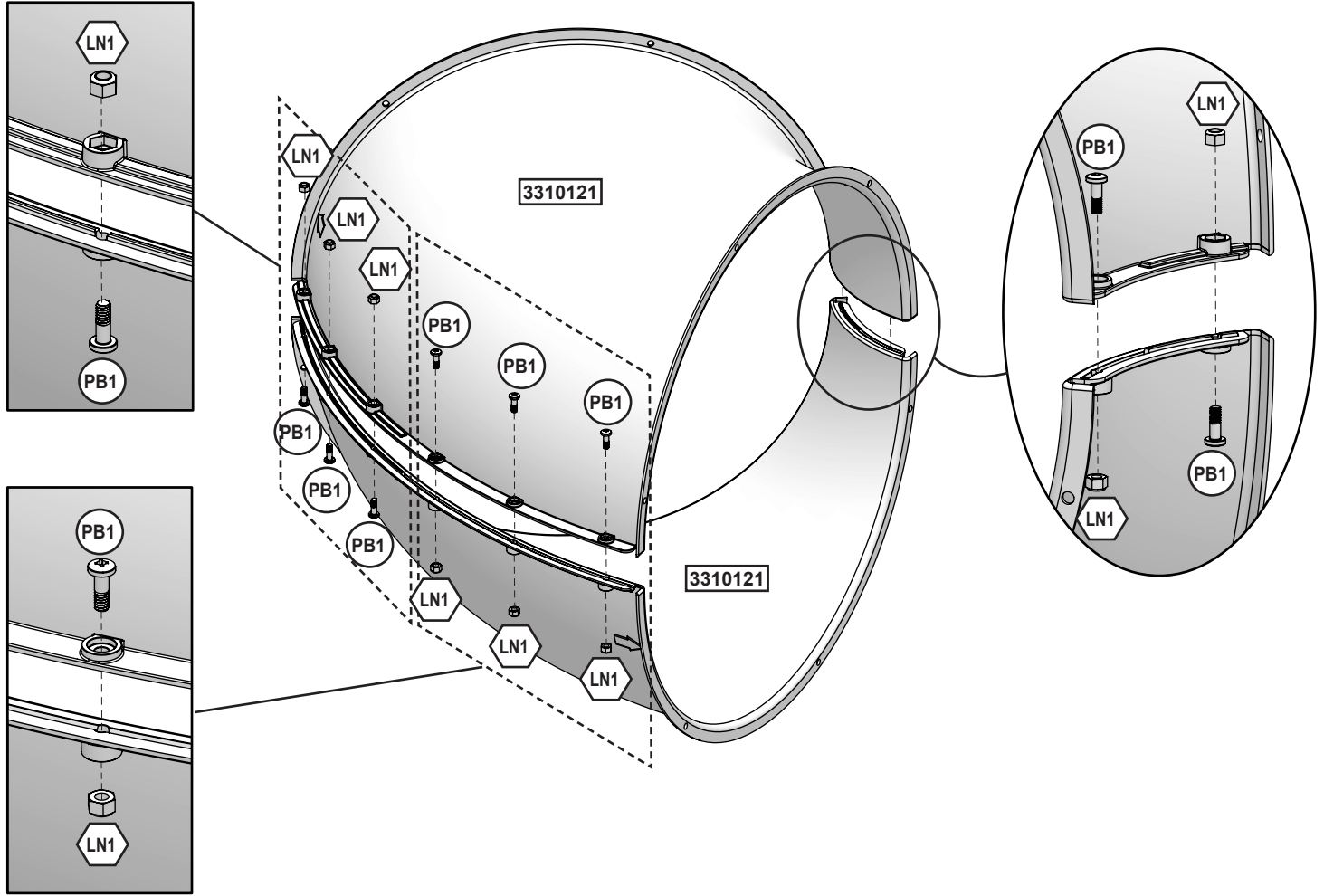
Threaded Link attach to Swing and Acro ropes.




Other Parts

2 x	9502020	2 x	9320130	2 x	9320131
4 x	9502045	1 x	9200131	2 x	3200022

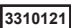
Step 46 x 4



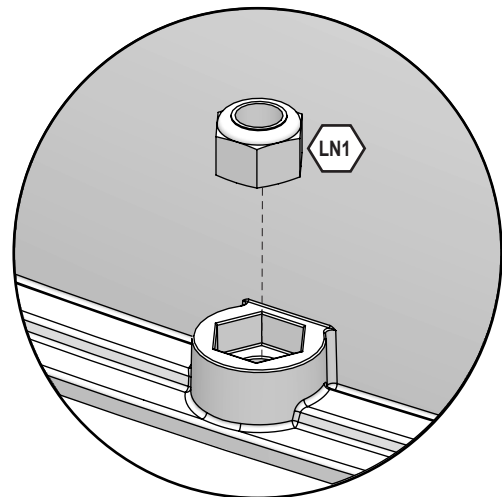
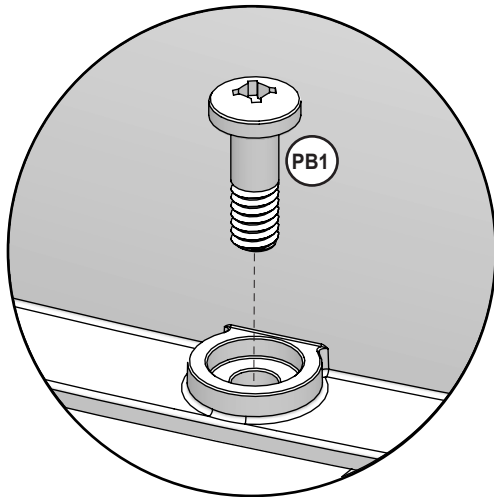
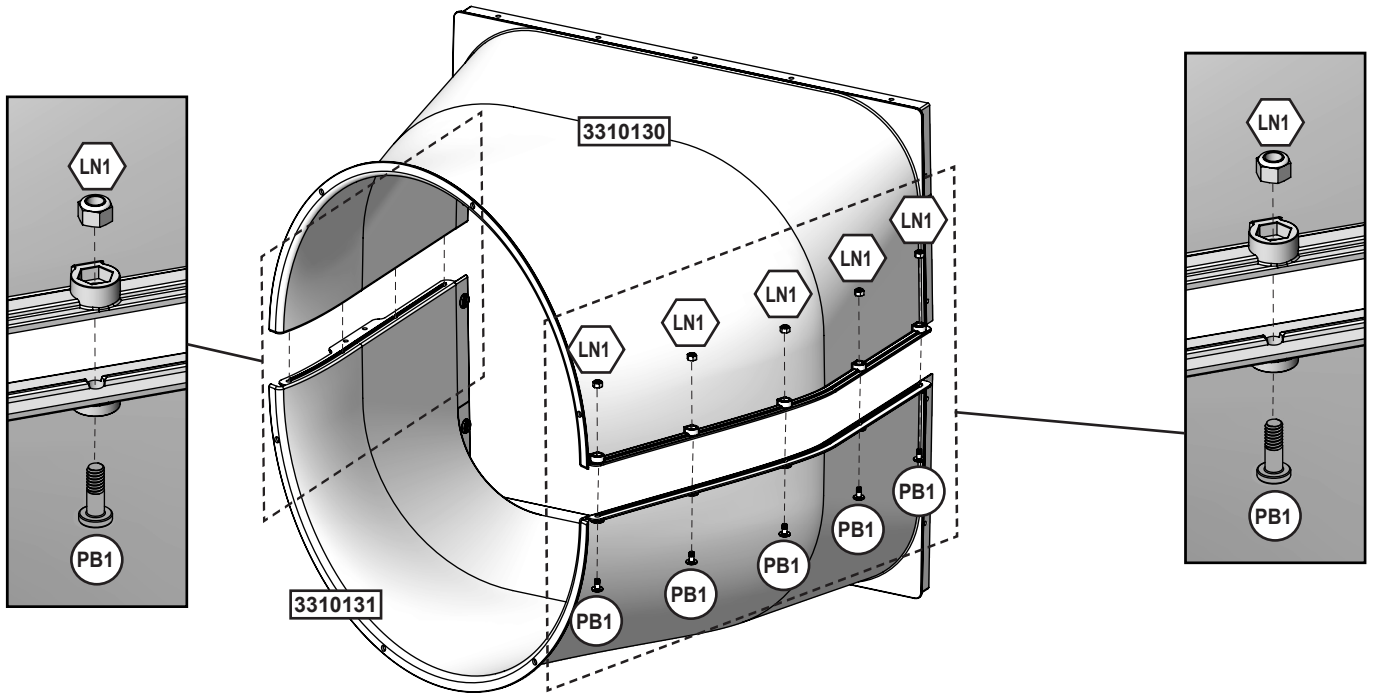
Hardware

32 x  6.3mm x 19 mm (1/4 x 3/4") (LN1)

Other Parts

8 x 

Step 47



Hardware

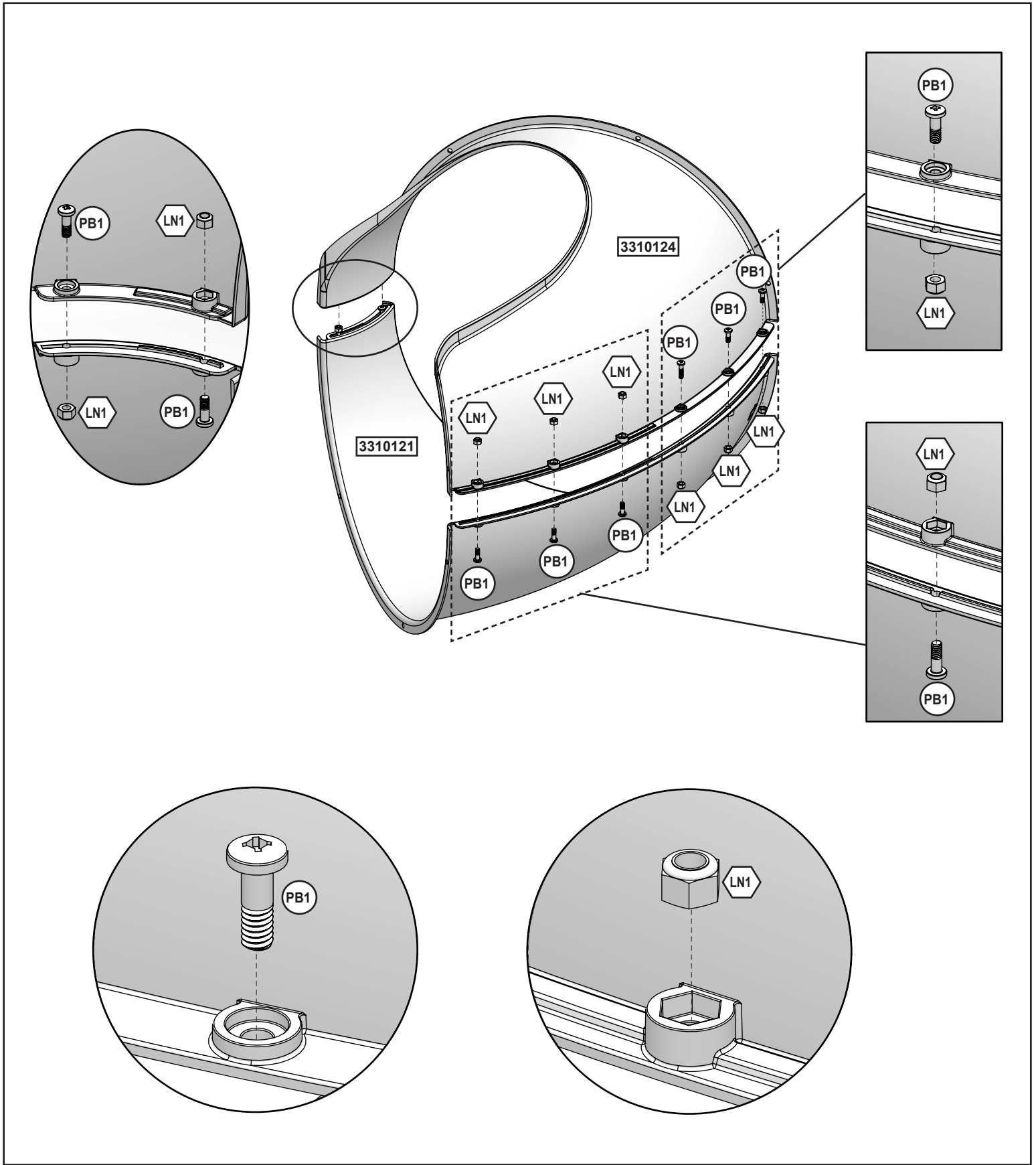
9 x (PB1) 6.3mm x 19 mm (1/4 x 3/4") (LN1)

Other Parts

1 x 3310130

1 x 3310131

Step 48



Hardware

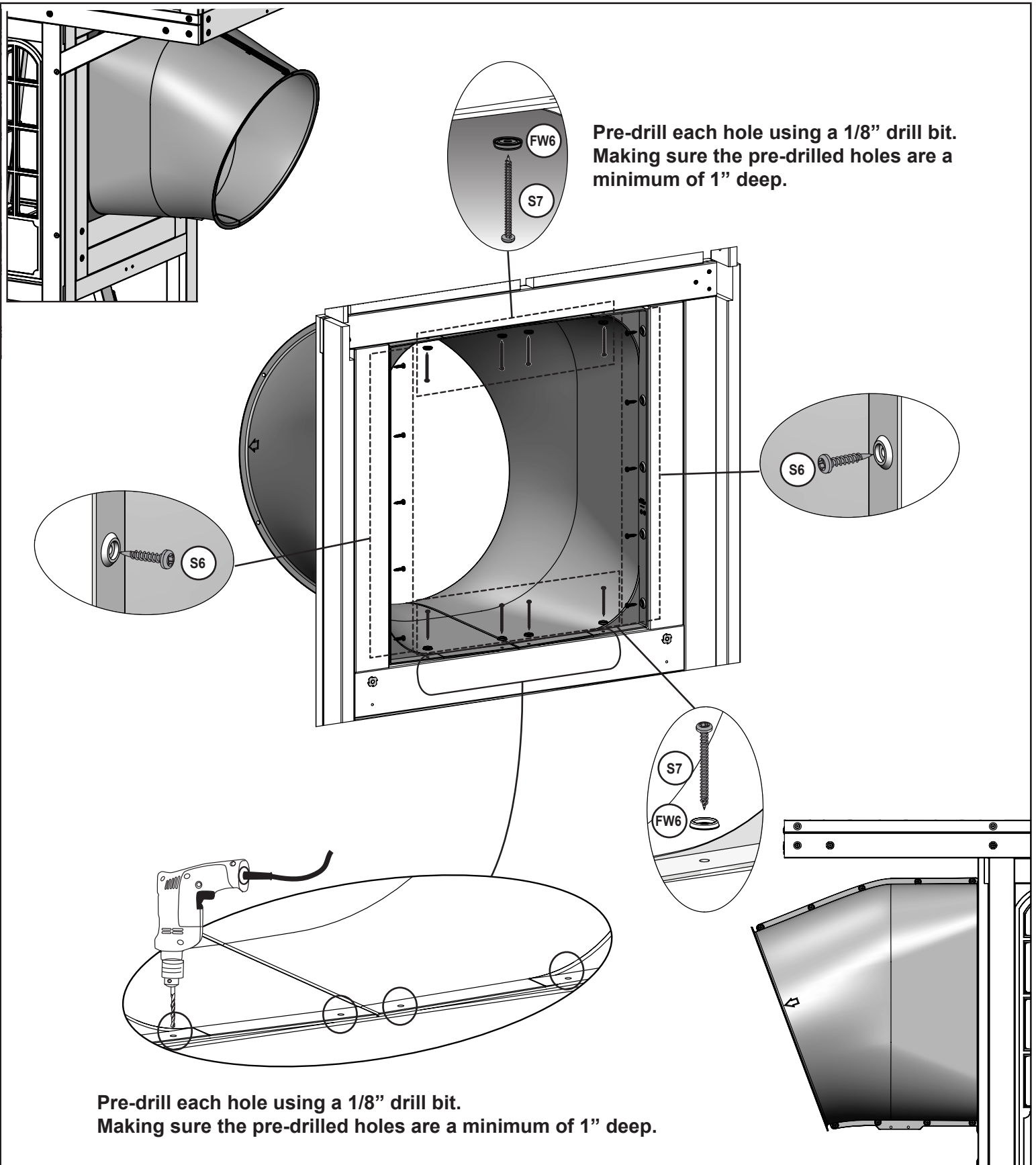
8 x 6.3mm x 19 mm (1/4 x 3/4") (LN1)

Other Parts

1 x




1 x

Step 49

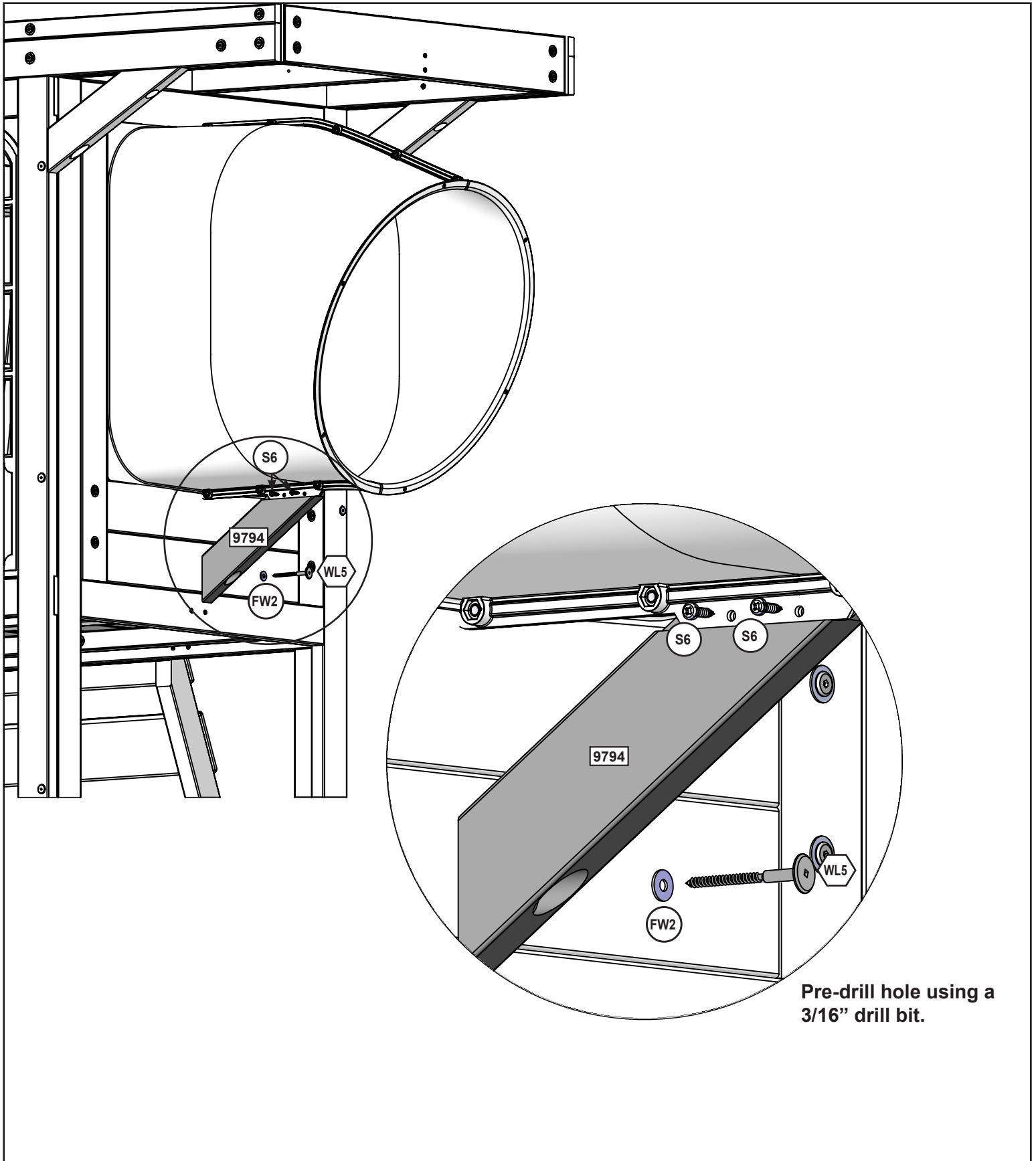


Pre-drill each hole using a 1/8" drill bit.
Making sure the pre-drilled holes are a minimum of 1" deep.

Hardware

- 10 x  #12 x 25.4mm (#12 x 1")
- 8 x  #12 x 50.8mm (#12 x 2")
- 8 x  #12

Step 50



Pre-drill hole using a 3/16" drill bit.

Wood Parts

1 x 31.8 x 76.2 x 357.1 mm (1-1/4" X 3" X 14-1/16")

Hardware

1 x 6.4mm x 63.5 mm (1/4 x 2-1/2")(FW2)

2 x #12 x 25.4mm (#12 x 1")

Step 51

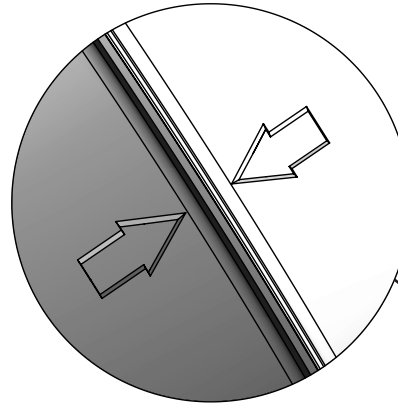
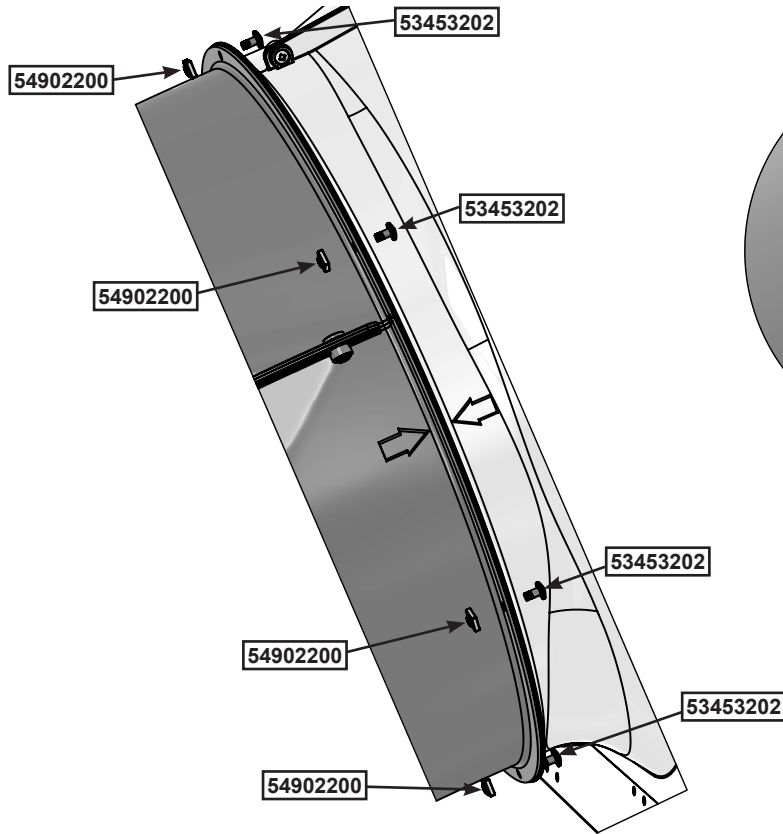


**Note: Keep all bolts loose until further step.
Use Quadrex Driver as a guide pin for each hole before inserting bolt.
Align each elbow using the molded arrows.**

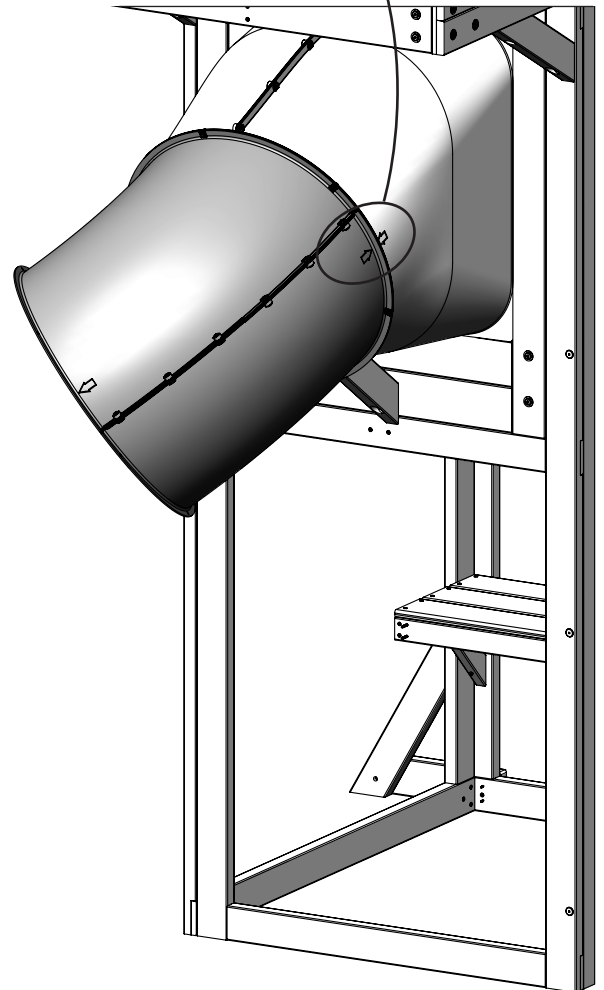
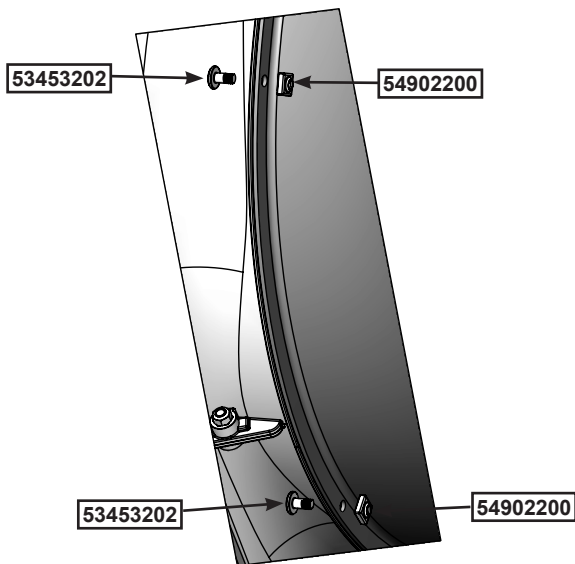
Quadrex Driver



Use special driver provided in locations where the curve of the elbow are difficult to reach with a standard driver.



Align each elbow using the molded arrows.

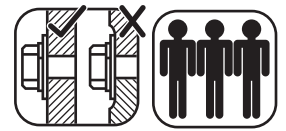


Other Parts

6 x 54902200

6 x 53453202 1/4" x 12.7mm

Step 52 x 3

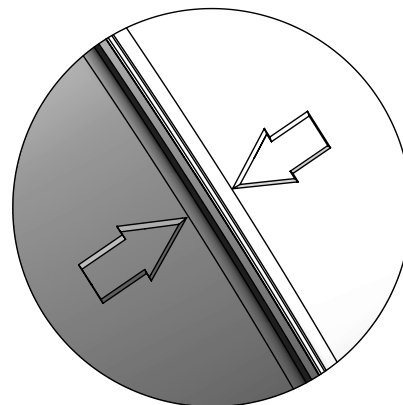
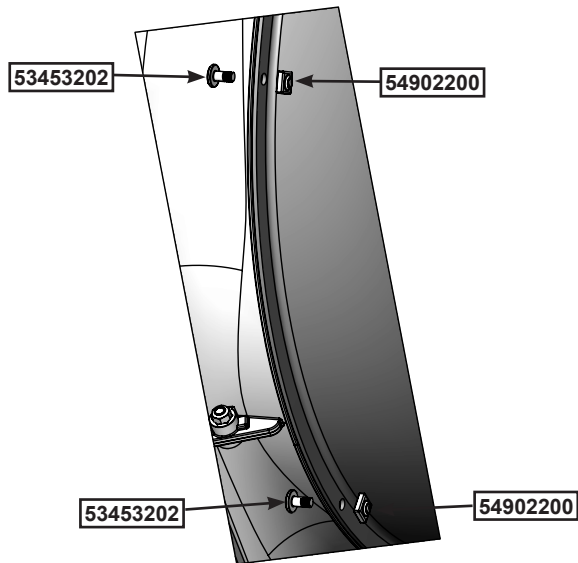
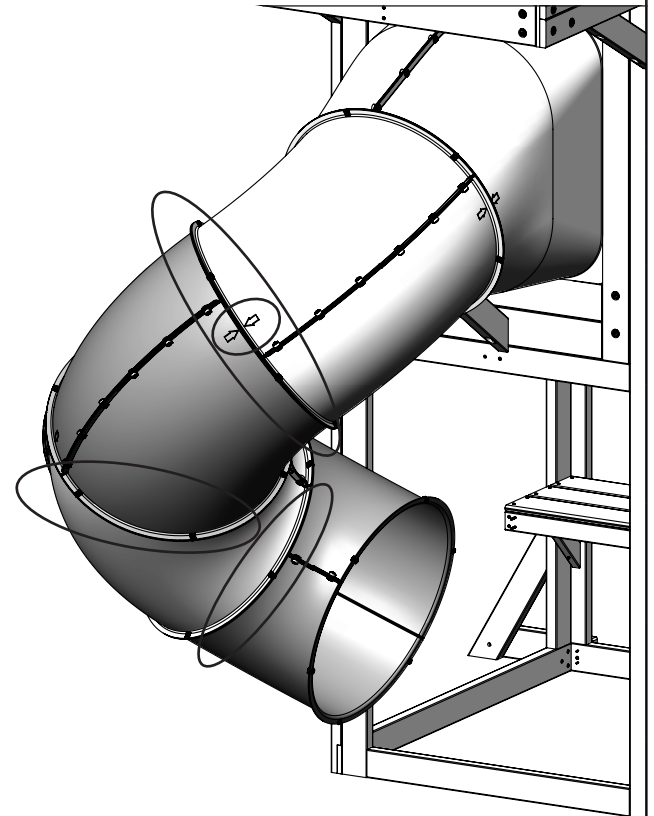
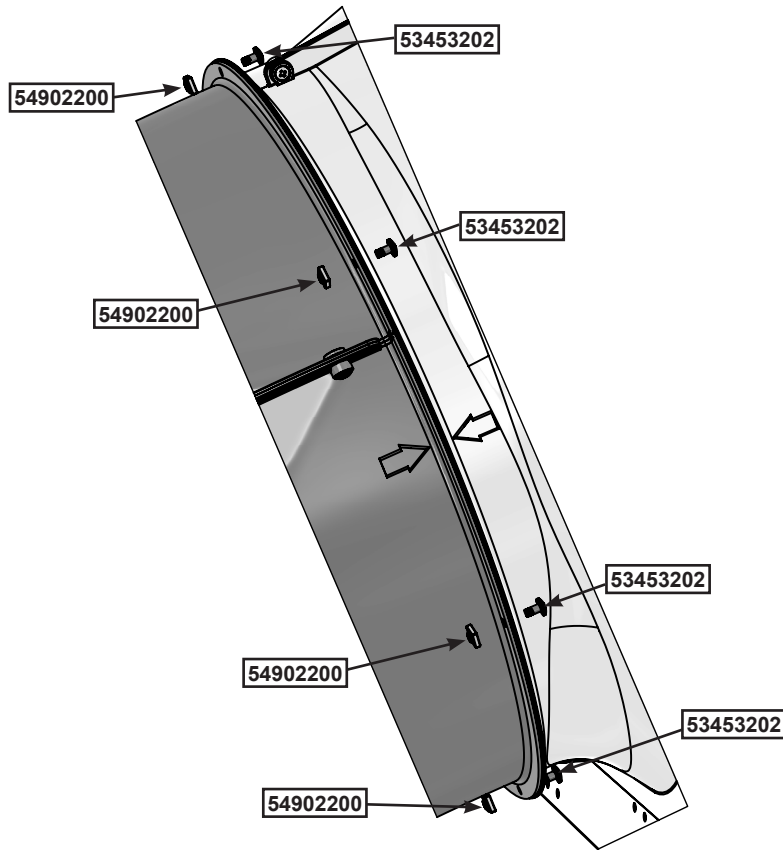


**Note: Keep all bolts loose until further step.
Use Quadrex Driver as a guide pin for each hole before inserting bolt.**

Quadrex Driver



Use special driver provided in locations where the curve of the elbow are difficult to reach with a standard driver.



Align each elbow using the molded arrows.

Other Parts

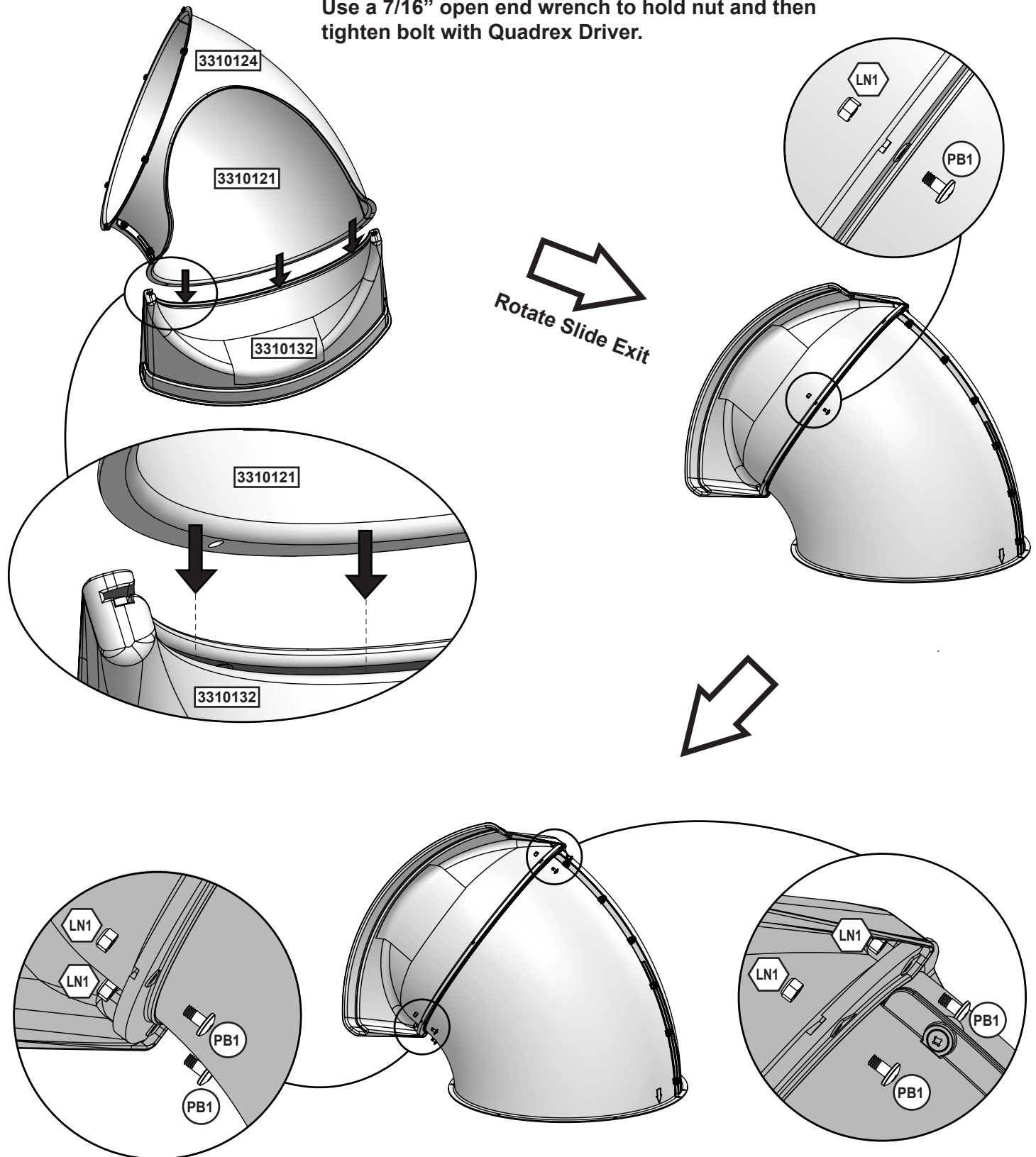
18 x 54902200

18 x 53453202 1/4" x 12.7mm

Step 53



Use a 7/16" open end wrench to hold nut and then tighten bolt with Quadrex Driver.



Hardware

5 x (PB1) 6.4mm x 19 mm (1/4 x 3/4") (LN1)

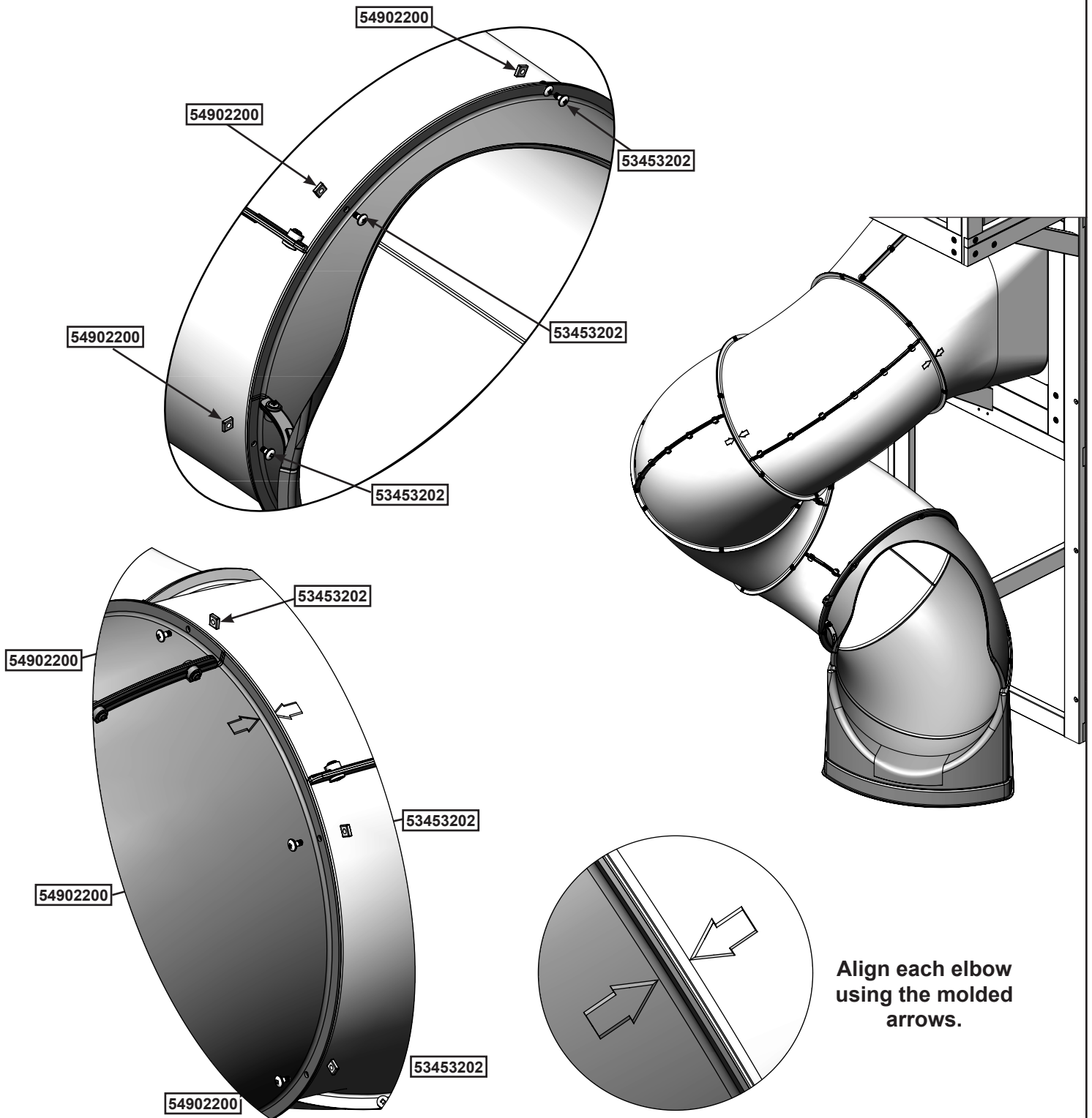
Other Parts

1 x 3310132



Step 54

Tighten all slide bolts before the clamp rings go on in the next step.



Align each elbow using the molded arrows.

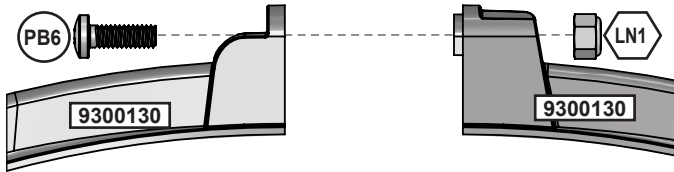
Other Parts

- 6 x 54902200
- 6 x 53453202 1/4" x 12.7mm

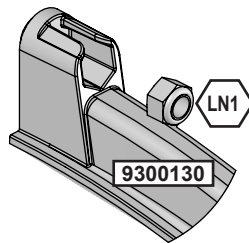
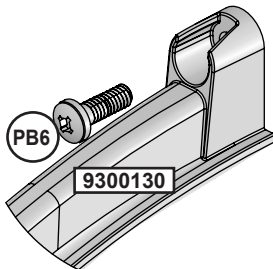
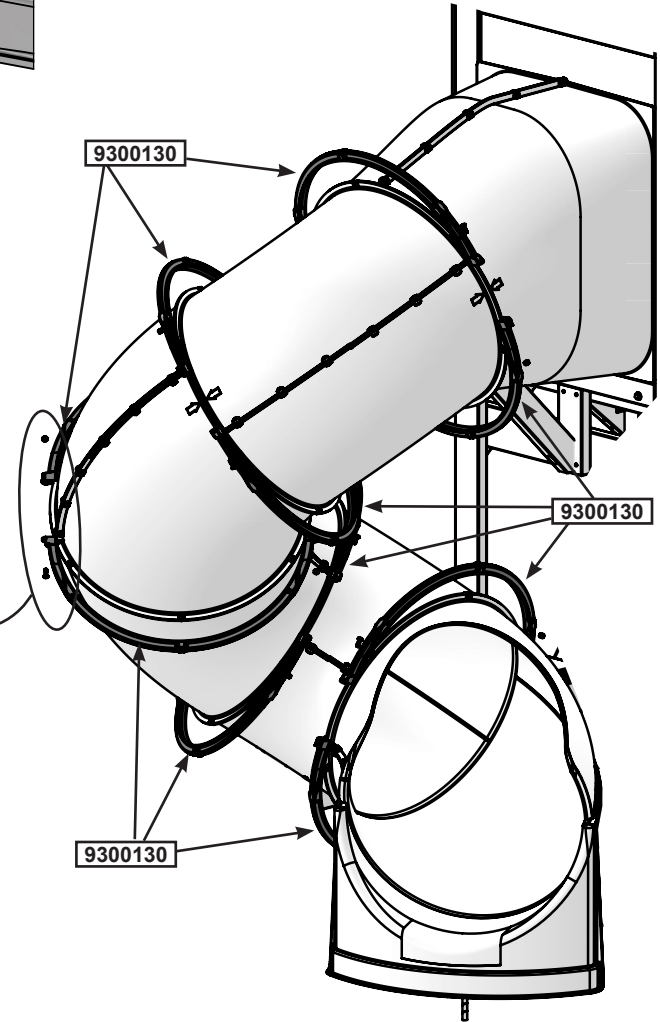
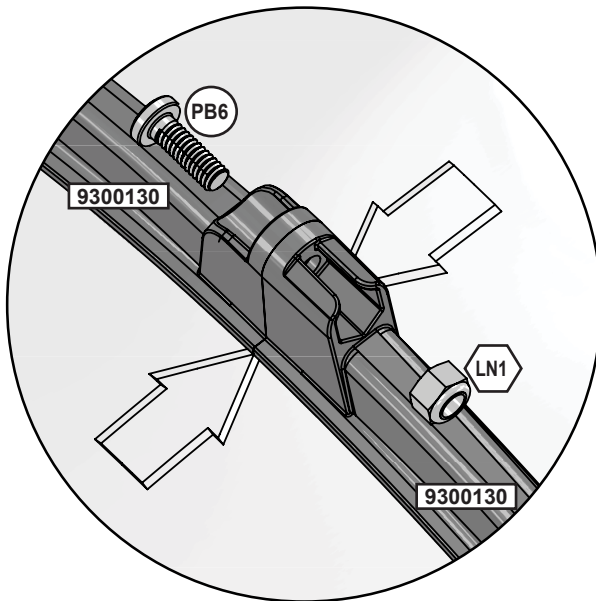


Step 55

Warning. Do not over tighten the clamp rings.



After the clamp rings are attached to the elbows, fasten them end to end with two pan bolts and lock nuts



Note: For ease of assembly bottom set of clamp rings can be rotated 90 degrees to install bolts.

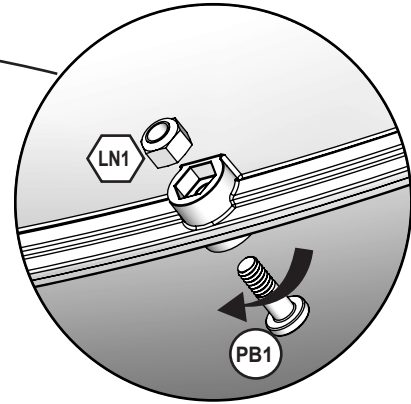
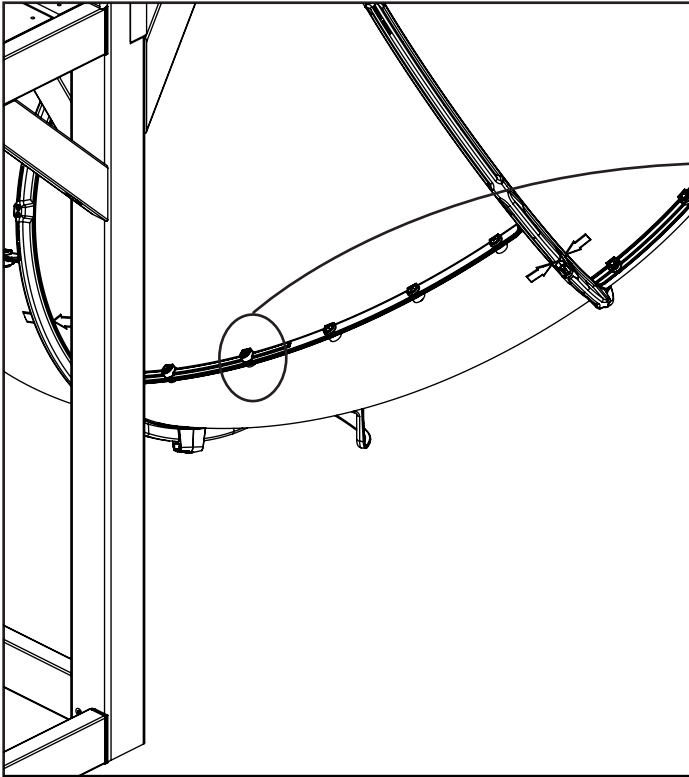
Hardware

10 x (PB6) 6.4mm x 25.4 mm (1/4 x 1") (LN1)

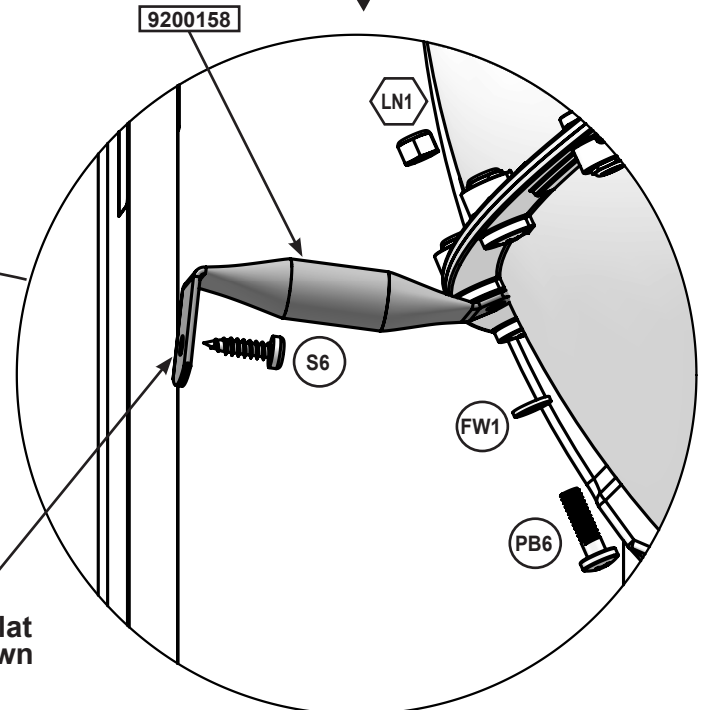
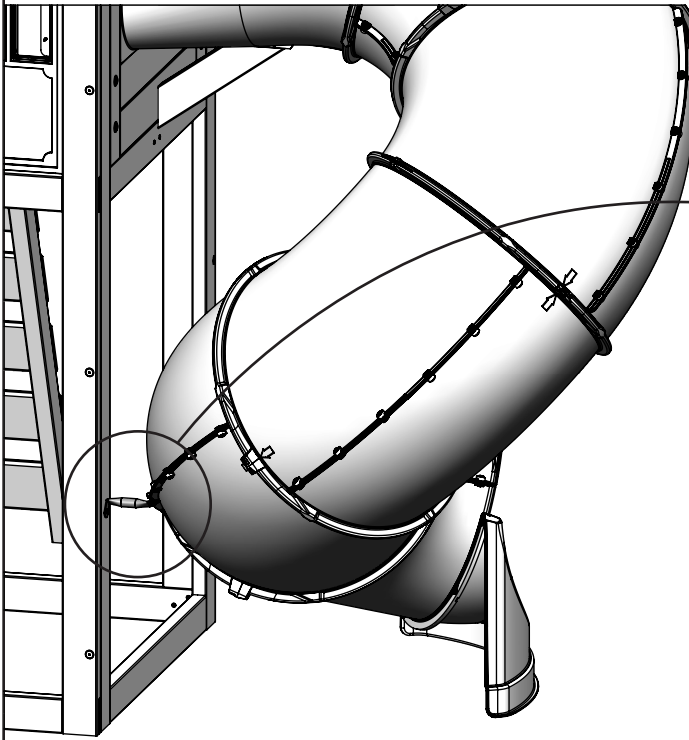
Other Parts

10 x (9300130)

Step 56



Remove PB1 (1/4 x 3/4" Pan Bolt),
The bolt (PB1) will no longer be
needed, but keep the lock nut (LN1)



Note: Flat
end down

Install PB6 (1/4 x 1" Pan Bolt)
with flat washer (FW1)

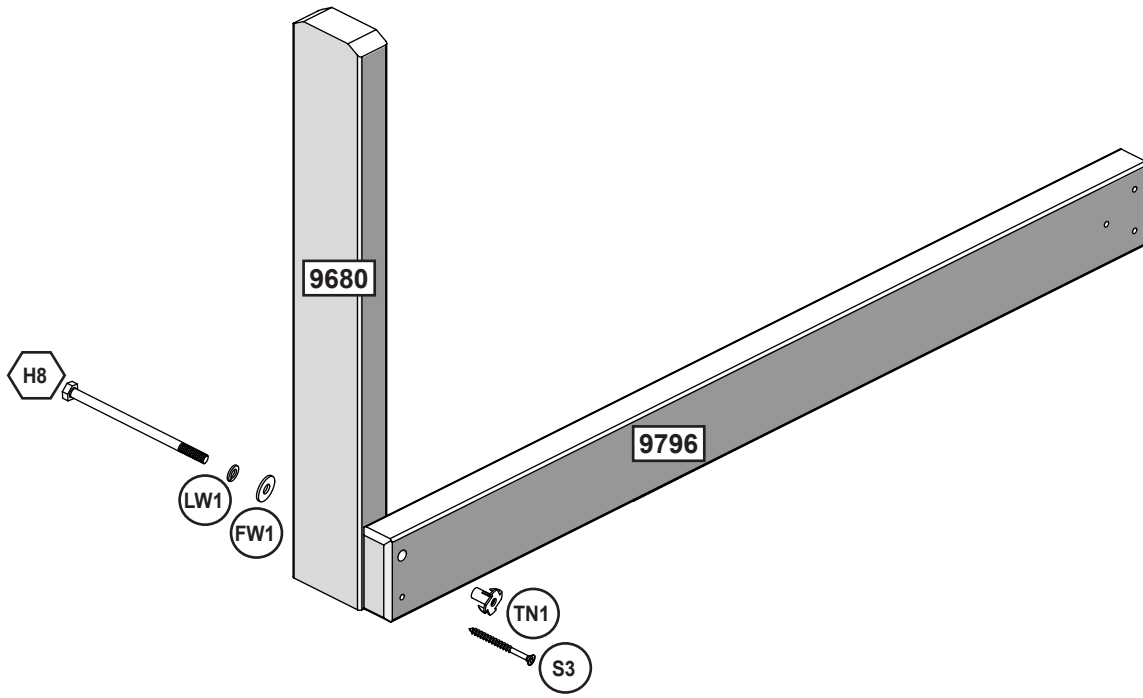
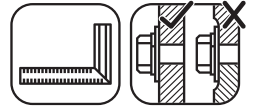
Hardware

- 1 x (PB6) 6.4mm x 25.4 mm (1/4 x 1") (FW1)
- 1 x (S6) #12 x 25.4mm (#12 x 1")

Other Parts

- 1 x 9200158

Step 57



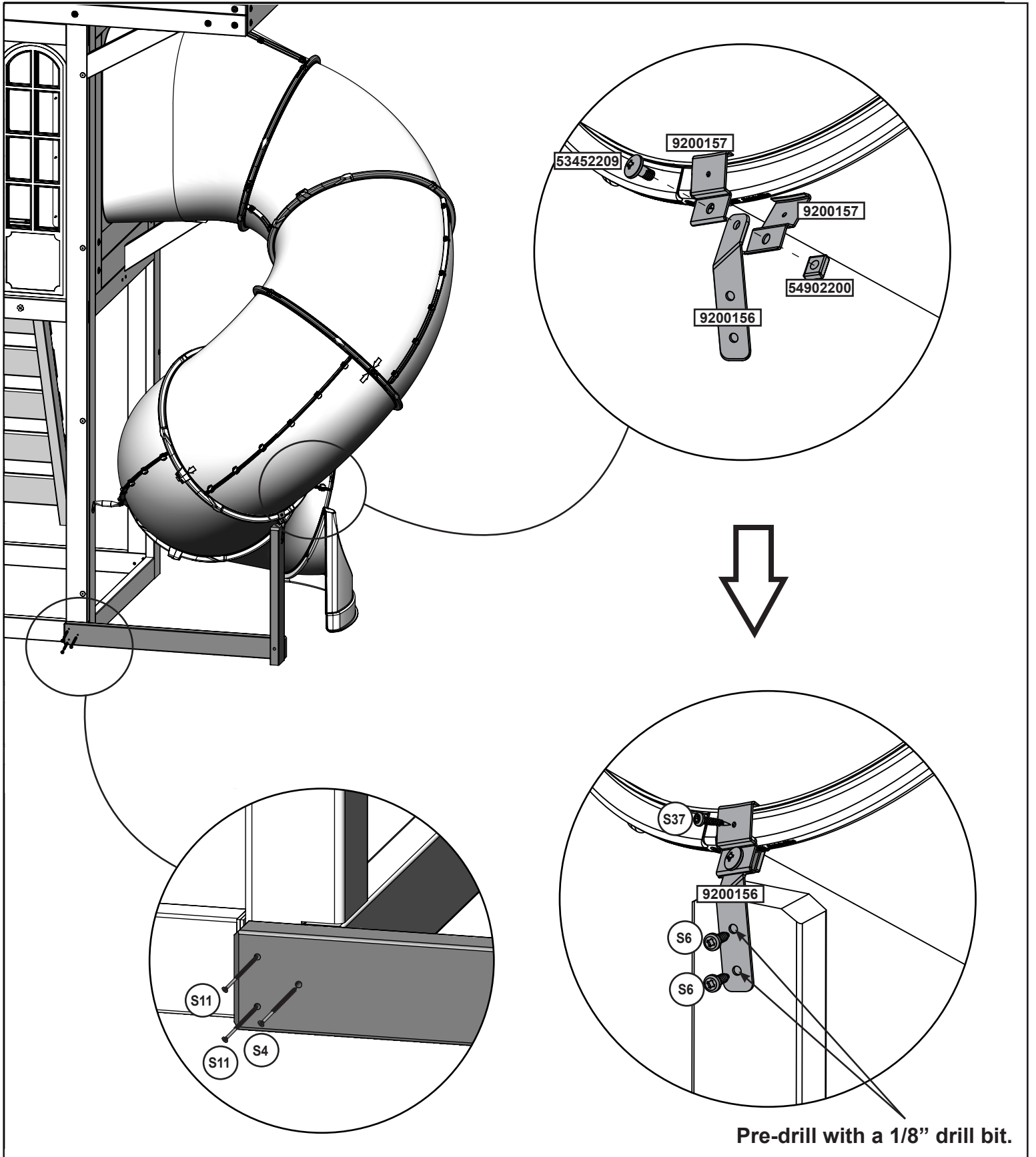
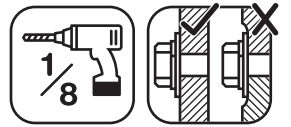
Wood Parts

- 1 x **9680** 31.8 x 76.2 x 489 mm (1-1/4" x 3" x 19-1/4")
- 1 x **9796** 31.8 x 76.2 x 790 mm (1-1/4" x 3" x 31-1/8")

Hardware

- 1 x **H8** 6.4mm x 108mm (1/4 x 4-1/4")(FW1, LW1, TN1)
- 1 x **S3** #8 x 64mm (#8 x 2-1/2")

Step 58



Pre-drill with a 1/8" drill bit.

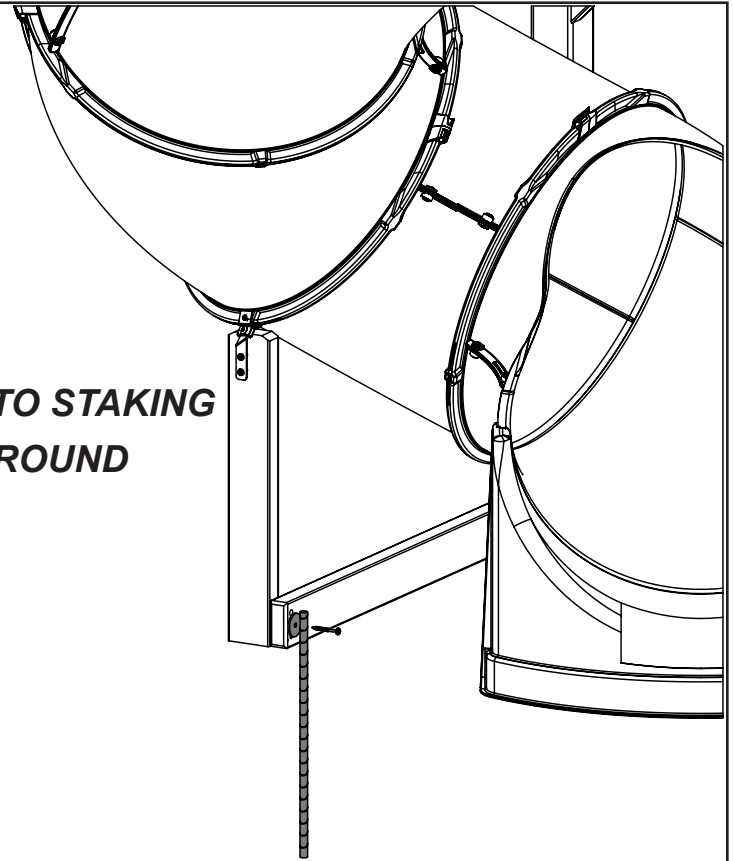
Hardware

- 1 x #7 x 15.87mm (#7 x 5/8")
- 2 x #12 x 25.4mm (#12 x 1")
- 2 x #8 x 50.8 mm (#8 x 2")
- 1 x #8 x 76.2 mm (#8 x 3")

Other Parts

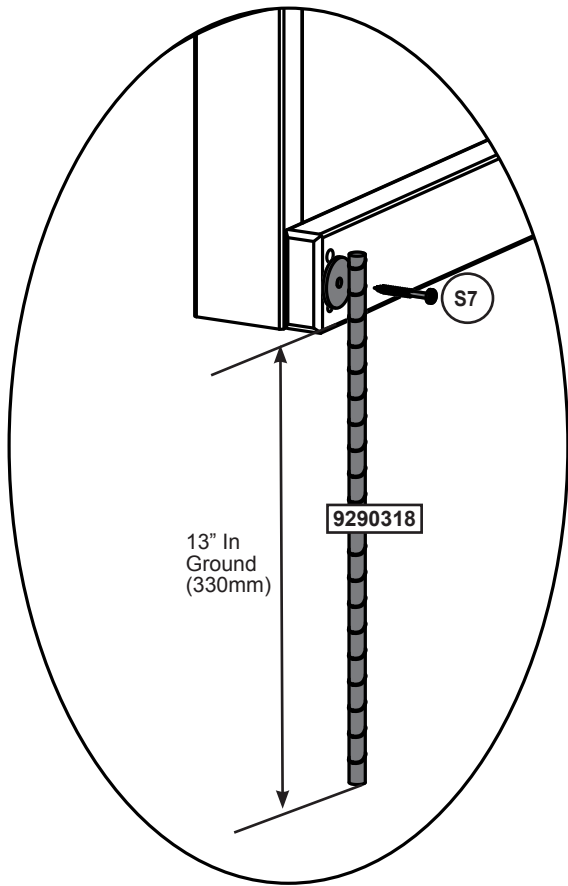
- 1 x 2 x
- 1 x 1 x 1/4 x 14.5mm

Step 59



**MOVE FORT TO FINAL LOCATION PRIOR TO STAKING
FINAL LOCATION MUST BE LEVEL GROUND**

Pre-drill with a 1/8" drill bit.




Warning! To prevent tipping and avoid potential injury, stakes must be driven 13"(330mm) into ground. Digging or driving stakes can be dangerous if you do not check first for underground wiring, cables or gas lines.

Hardware

1 x  #12 x 50.8mm (#12 x 2")

Other Parts

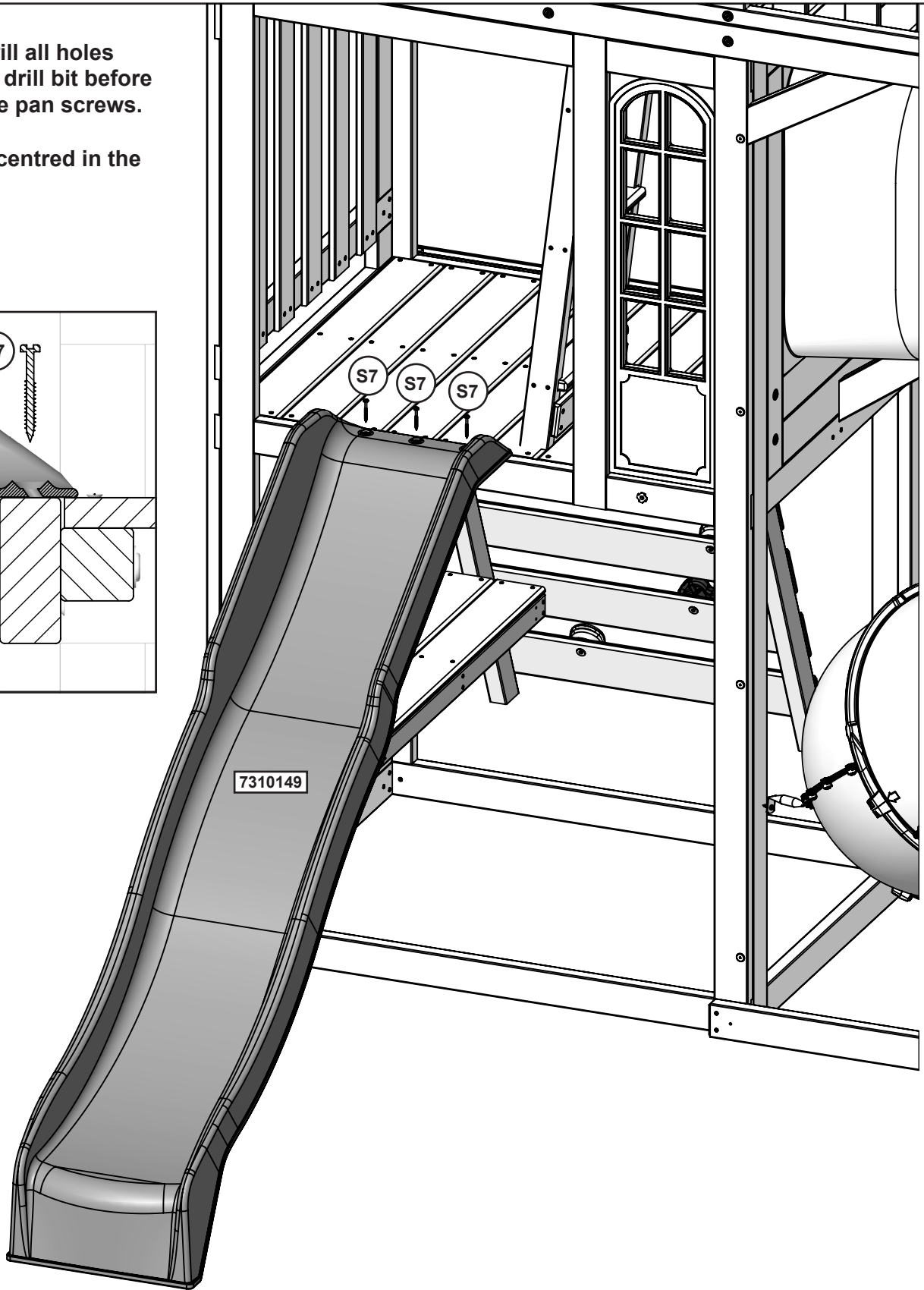
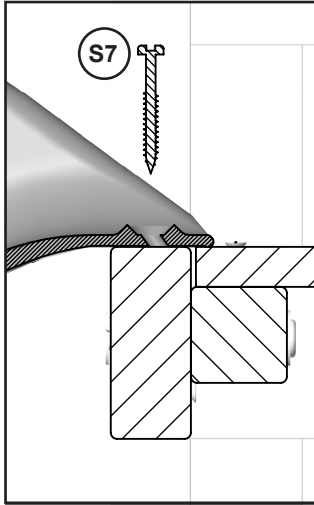
1 x 

Step 60




Note: Pre-drill all holes using a 1/8" drill bit before installing the pan screws.

Place Slide centred in the opening.

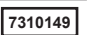


7310149

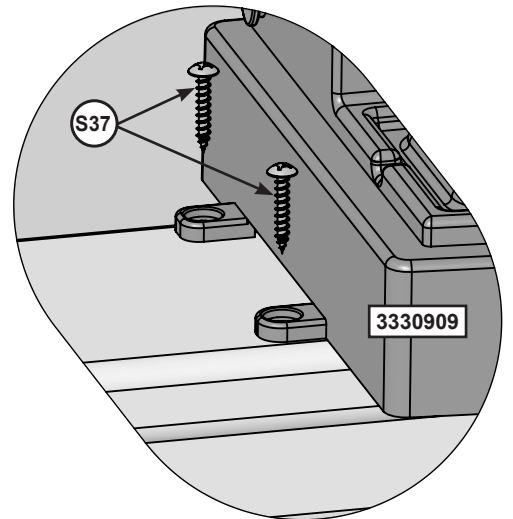
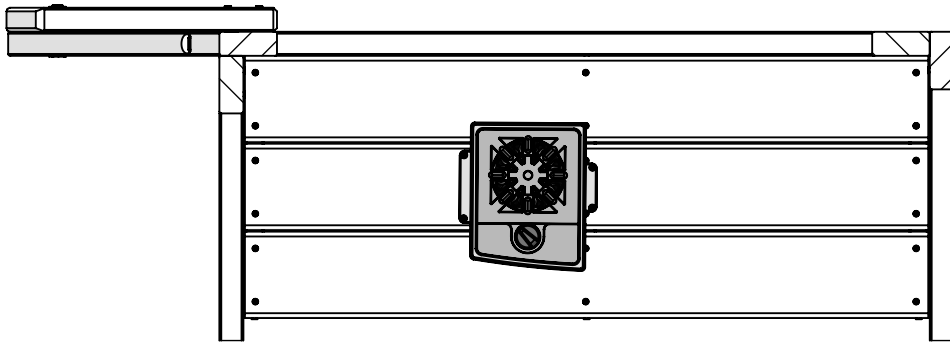
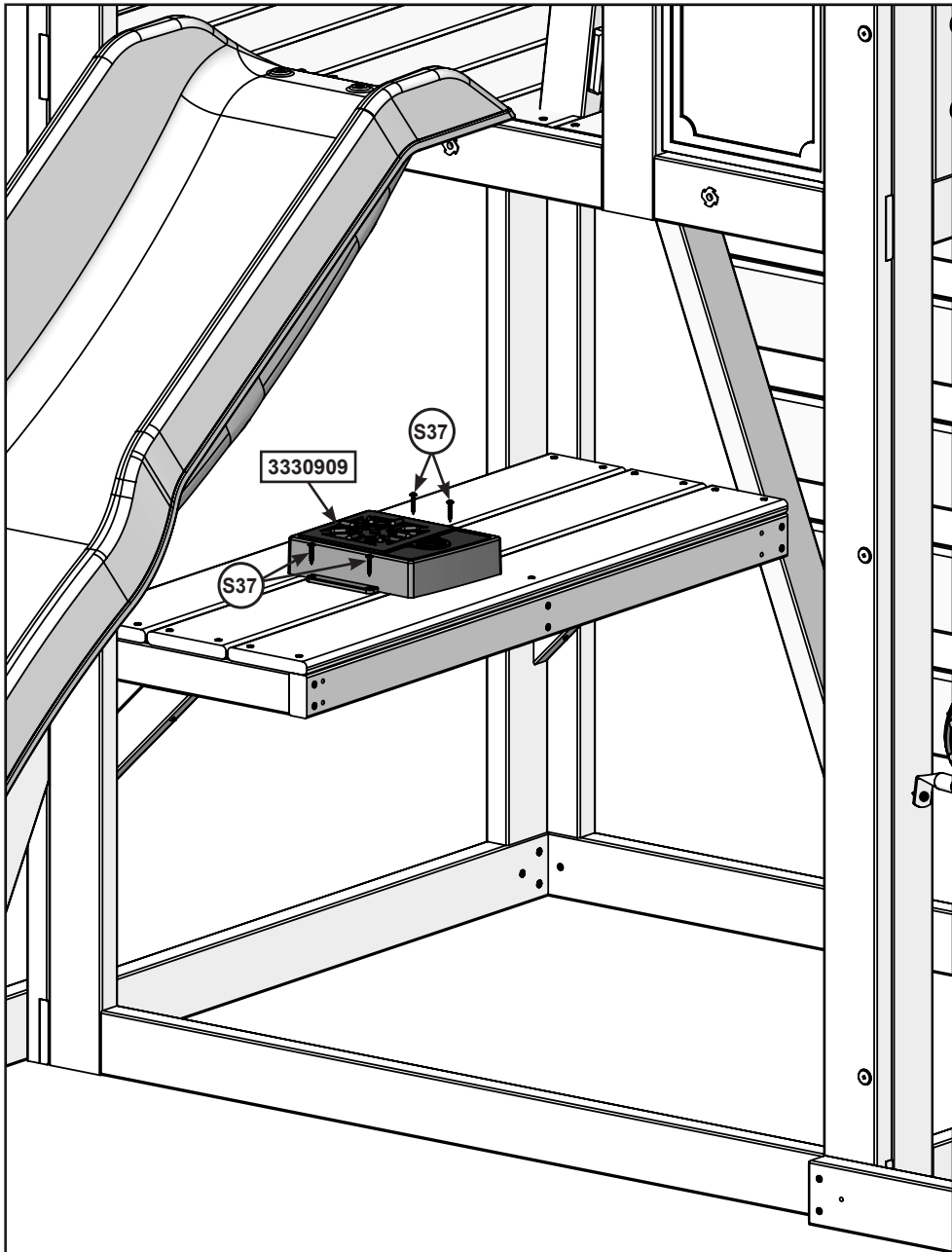
Hardware

3 x  #12 x 50.8 mm (#12 x 2")


Other Parts

1 x 

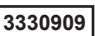
Step 61



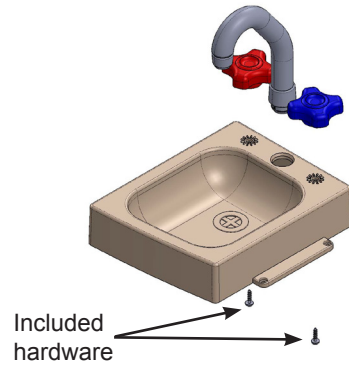
Hardware

4 x  #7 x 16 mm (#7 x 5/8")

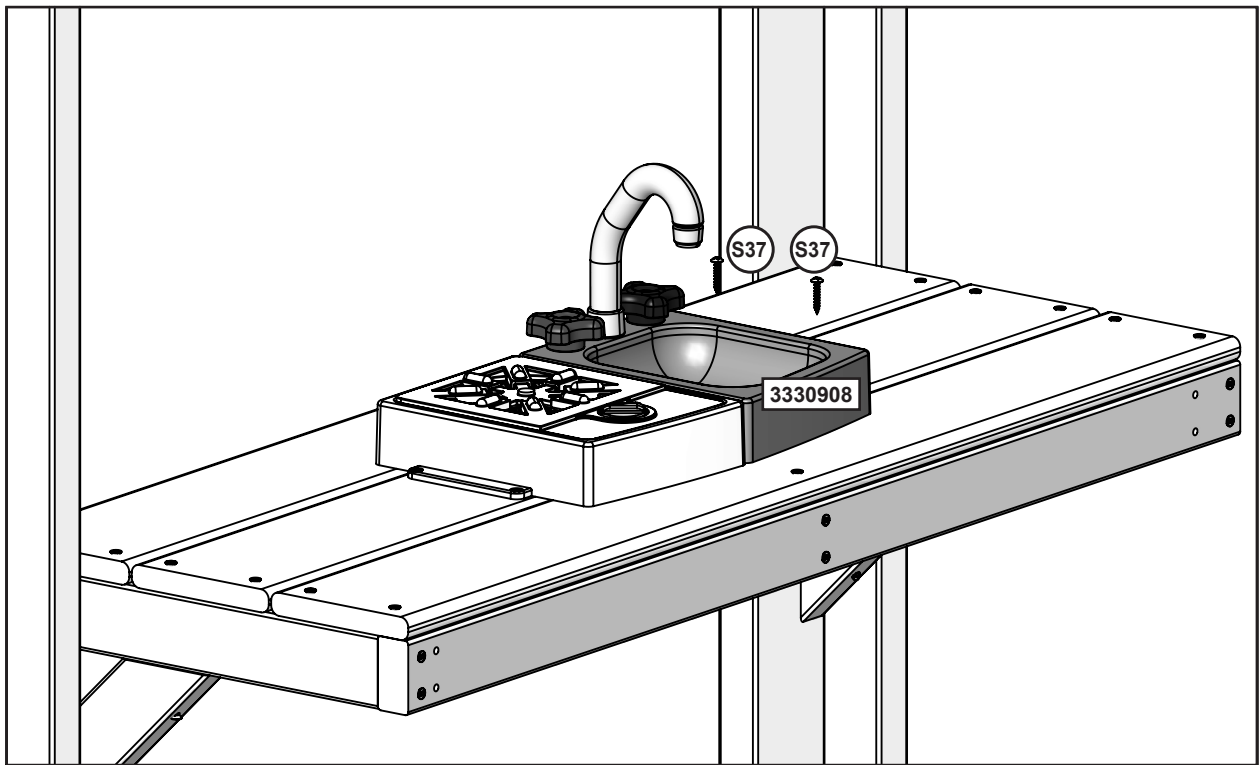
Other Parts

1 x 

Step 62



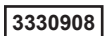
Important: Use a hand held screw driver and DO NOT over tighten.



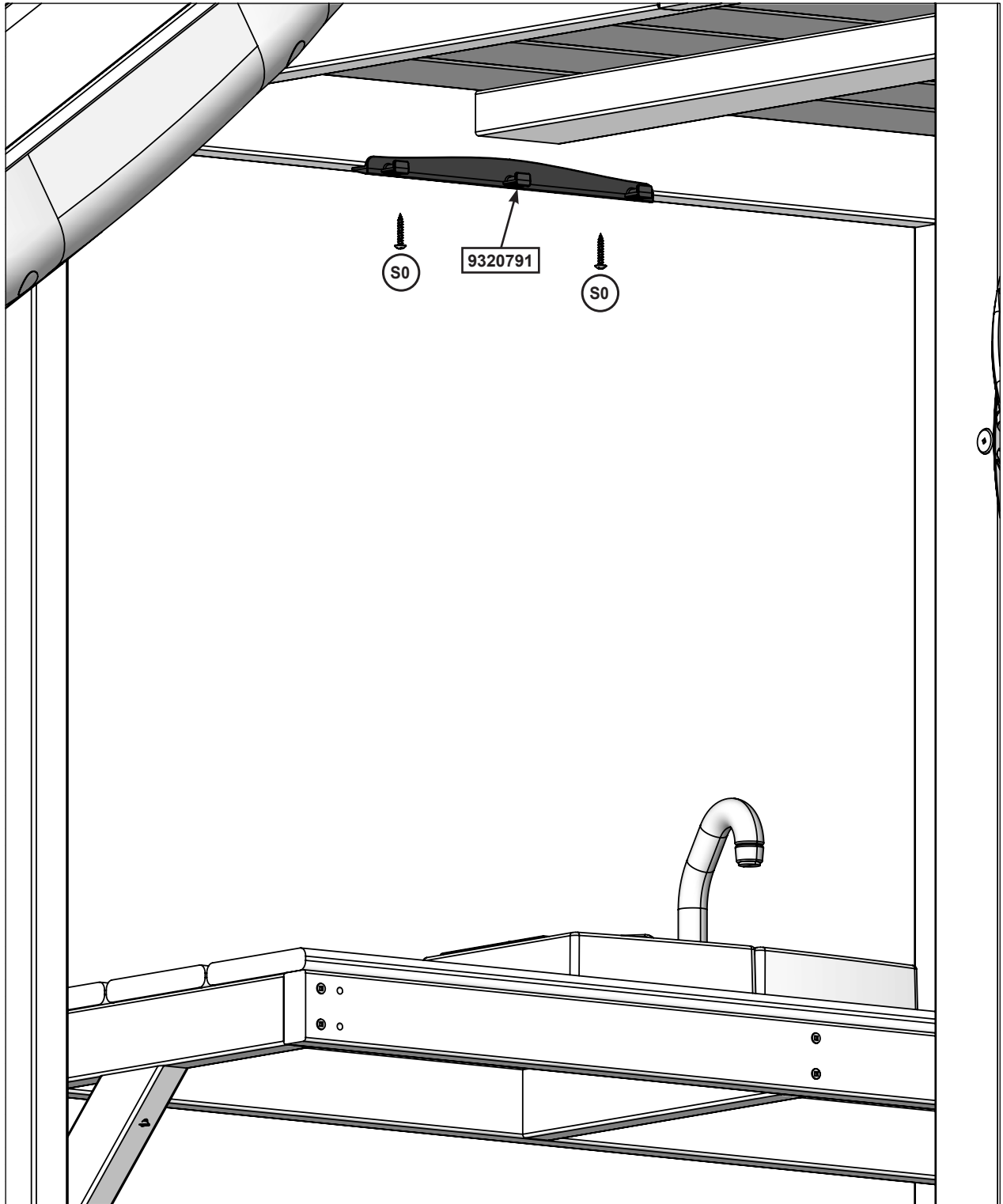
Hardware

2 x  #7 x 16 mm (#7 x 5/8")

Other Parts

1 x 


Step 63



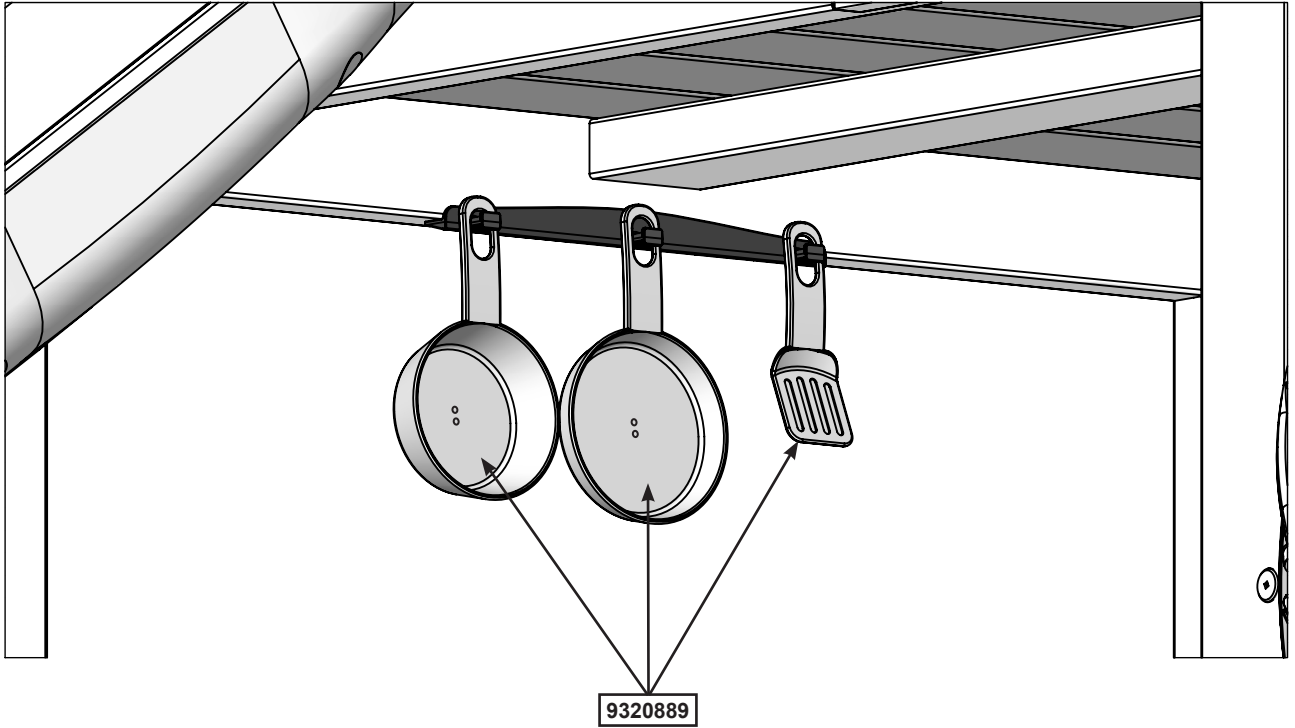
Hardware

2 x  #8 x 22.2 mm (#8 x 7/8")

Other Parts

1 x  9320791

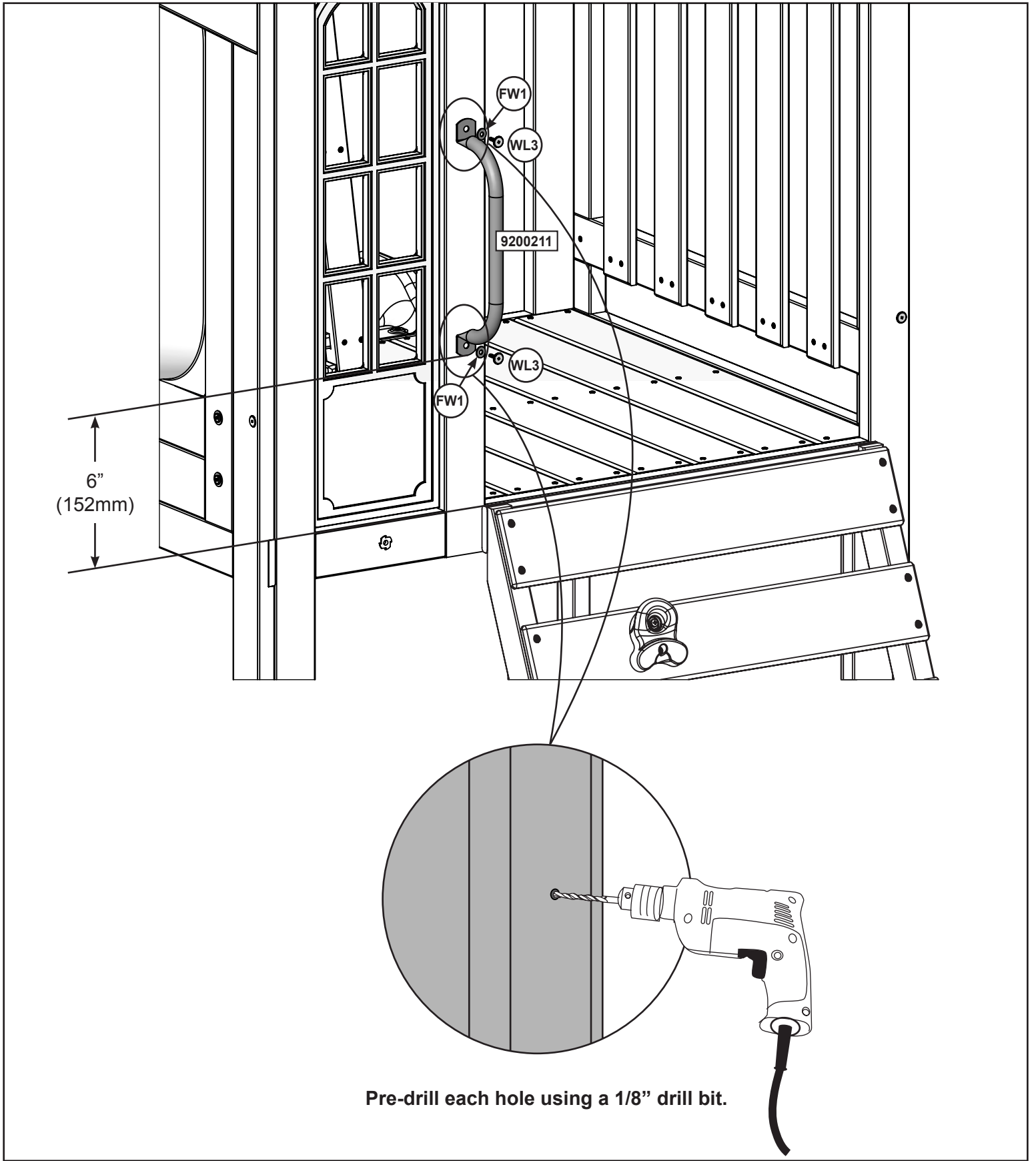
Step 64



Other Parts

1 x **9320889**

Step 65



Pre-drill each hole using a 1/8" drill bit.

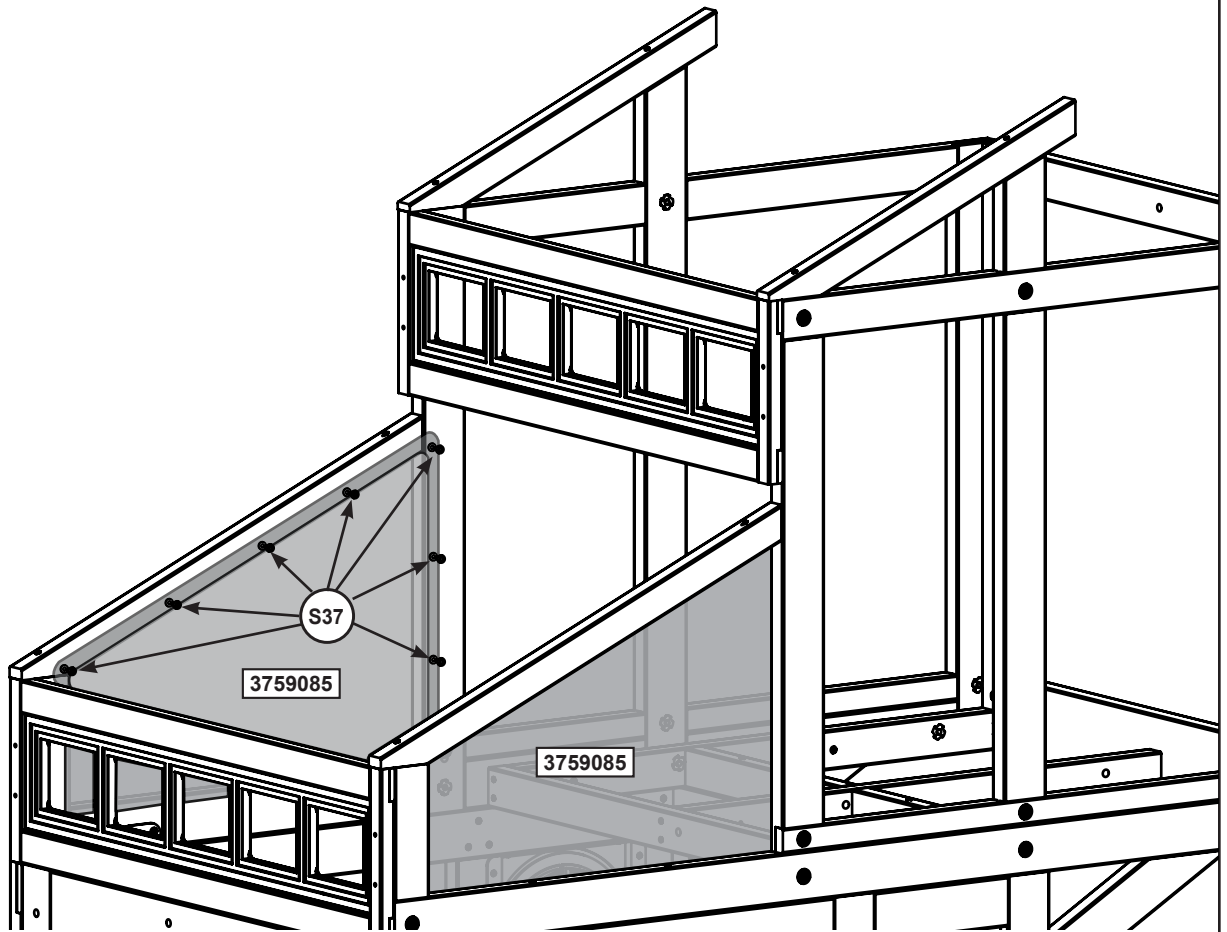
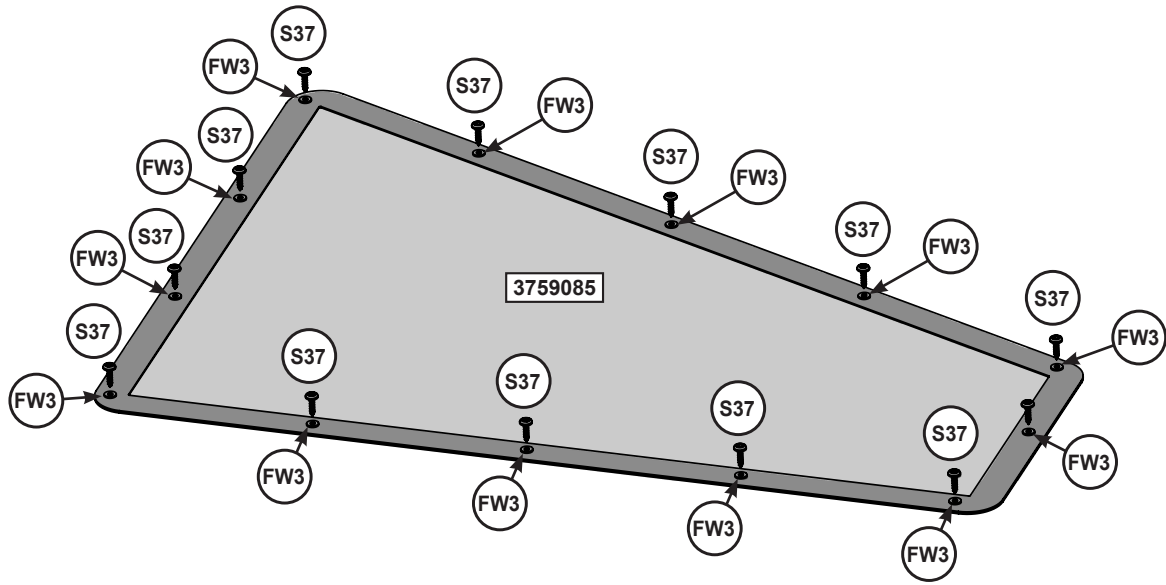
Hardware

2 x **WL3** 1/4 x 1-3/8" (6.4 x 35 mm) (FW1)

Other Parts

1 x **9200211**

Step 66



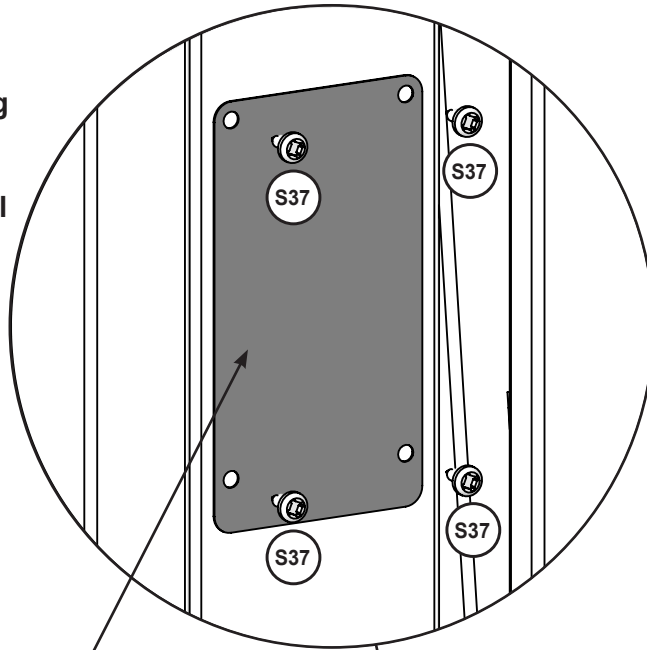
Hardware
26 x  #7 x 16 mm (#7 x 5/8") (FW3)

Other Parts
1 x 

Step 67

ATTACH THIS WARNING & I.D. PLAQUE TO THIS LOCATION ON YOUR PLAY EQUIPMENT!

This provides warnings concerning safety and important contact information. A Tracking Number is provided to allow you to get critical information or order replacement parts for this specific model.



⚠ WARNING
⚠ AVERTISSEMENT

CONTINUOUS ADULT SUPERVISION REQUIRED!

STRANGULATION HAZARDS

Never allow children to play with ropes, clotheslines, pet leashes, cables, chains or cord-like items when using this playset or to attach these items to play-set.

Never allow children to wear loose fitting clothing, ponchos, hoods, scarves, capes, necklaces, or items with draw-strings, cords or ties when using this play-set.

Never allow children to wear bike or sport helmets when using this play-set.

Failure to prohibit these items increases the risk of serious injury and death to children from entanglement and strangulation.

SERIOUS HEAD INJURY HAZARD

Maintain shock absorbing material under and around play-set as recommended in the Installation & Operating Instructions. Installation over concrete, asphalt, dirt, grass, carpet and other hard surfaces creates a risk of serious injury or death from falls to the ground.

SURVEILLANCE CONSTANTE D'ADULTES EST REQUIS!

Risques D'étranglement

Ne jamais laisser les enfants jouer avec des cordes, cordes à linge, laisses pour animaux, des câbles, des chaînes ou ces type articles pendant de l'utilisation de cet portique de jeu ou à l'attaché de ces éléments à la portique de jeu.

Ne jamais laissez les enfants de porter des vêtements amples, des ponchos, des hottes, des foulards, capes, des colliers ou des articles avec cordes attirent ou les cordons pendant l'utilisation de cet portique de jeu.

Ne jamais laissez les enfants porter un casque de vélo ou de sport quand ils utilisent ce portique de jeu.

Défaut d'interdire ces éléments augmente le risque de blessures graves et de décès des enfants de enchevêtrement et d'étranglement.

RISQUE DE BLESSURES GRAVES DU TÊTE

Maintenir le matériau absorbant les chocs sous et autour de la portique de jeu comme recommandé dans les Instructions D'installation. Installation sur béton, de l'asphalte, sol, de l'herbe, tapis et autres surfaces dure crée un risque de blessure à la tête graves ou la mort causé par tomber à la sol.

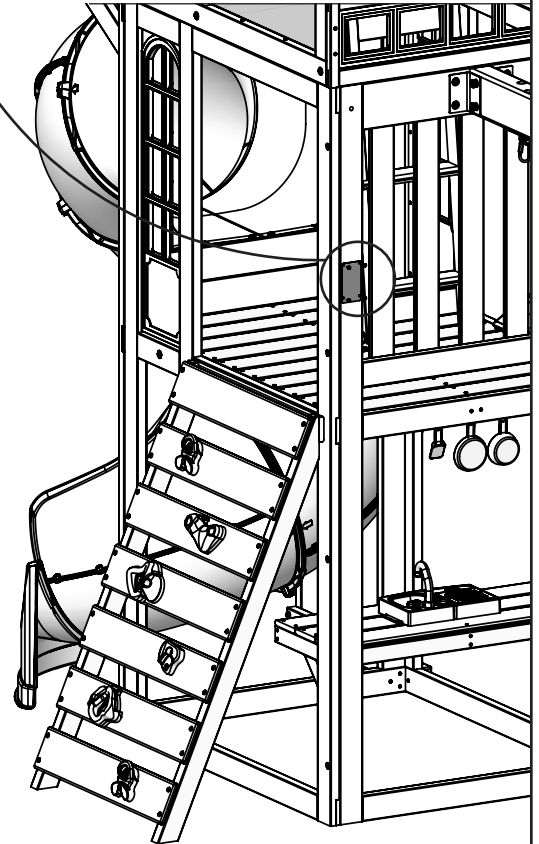
THIS PRODUCT IS INTENDED FOR USE BY CHILDREN FROM AGES 3 TO 10; weight limit of 110 lbs. per child. Maximum number of users, Installation & Operating Instructions; other information is available at:

POUR LES ENFANTS DE 3 À 10 ANS D'ÂGE; limite de 110 Livres par enfant. Nombre maximum d'utilisateurs, installation et d'utilisation; d'autres informations sont disponibles sur:

www.KidKraft.com
Contact us at: KidKraft
Dallas, TX 75244 USA
1-800-933-0771

Tracking Number:
Numéro de Suivi:

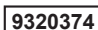
9320374



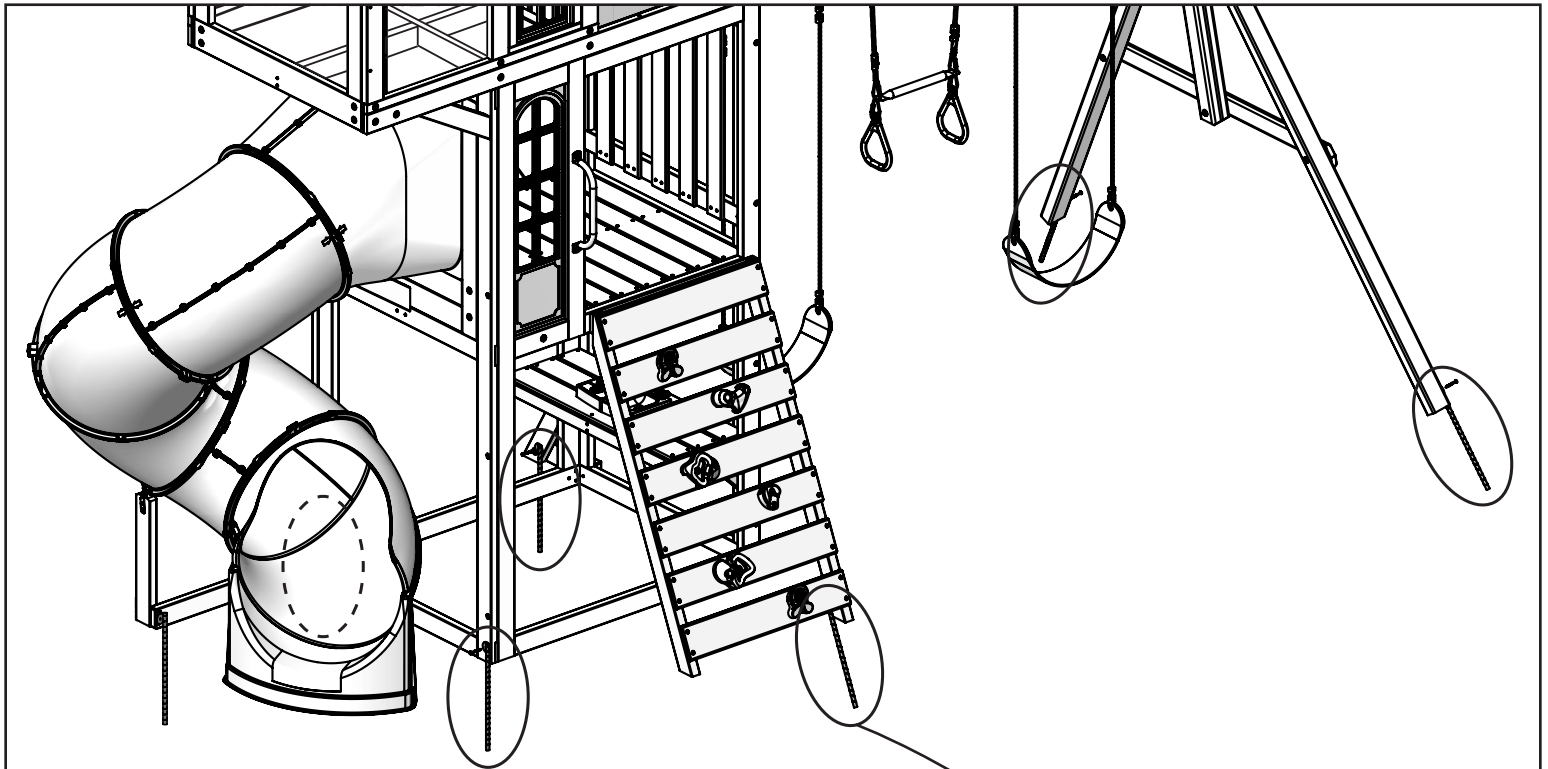
Hardware

4 x  #7 x 16 mm (#7 x 5/8")

Other Parts

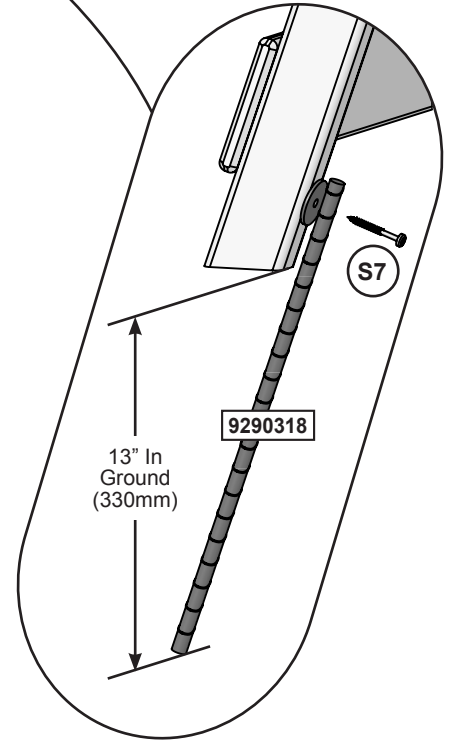
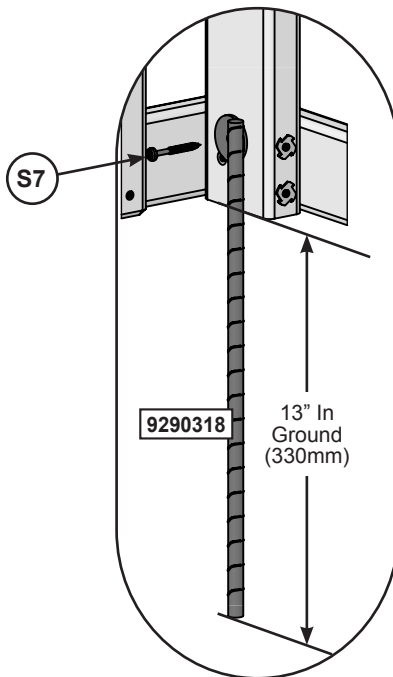
1 x 

Step 68



Warning! To prevent tipping and avoid potential injury, stakes must be driven 13"(330mm) into ground. Digging or driving stakes can be dangerous if you do not check first for under-ground wiring, cables or gas lines.

SEE FRONT COVER FOR SAFETY CLEARANCE



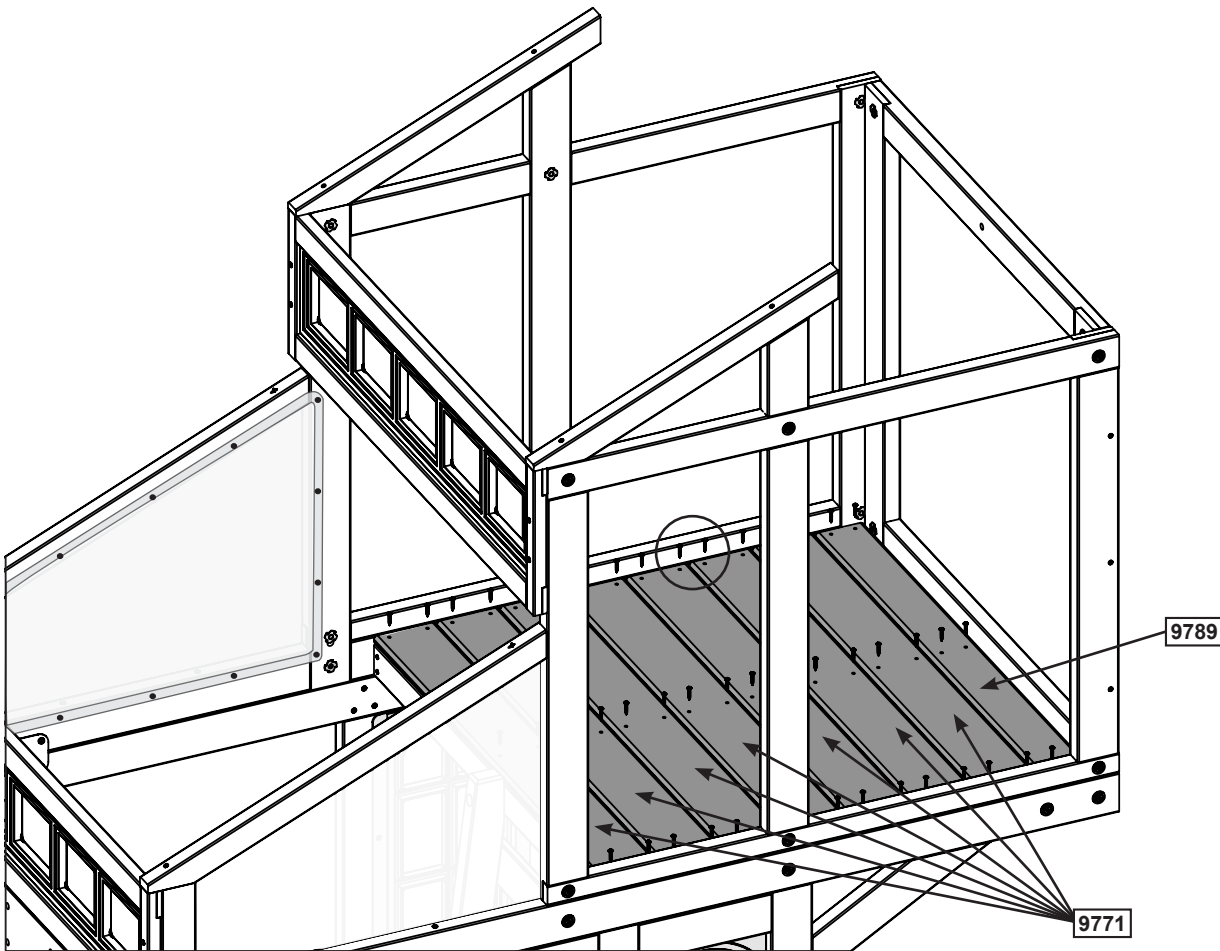
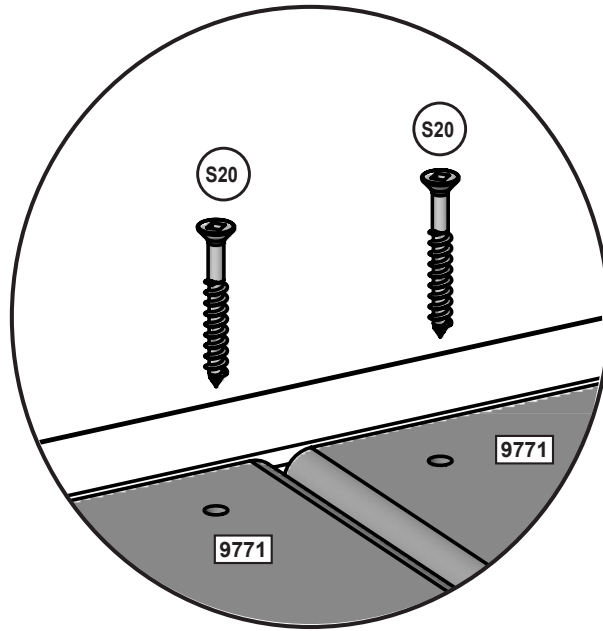
Hardware

6 x **S7** #12 x 50.8 mm (#12 x 2")

Other Parts

6 x **9290318**

Step 69



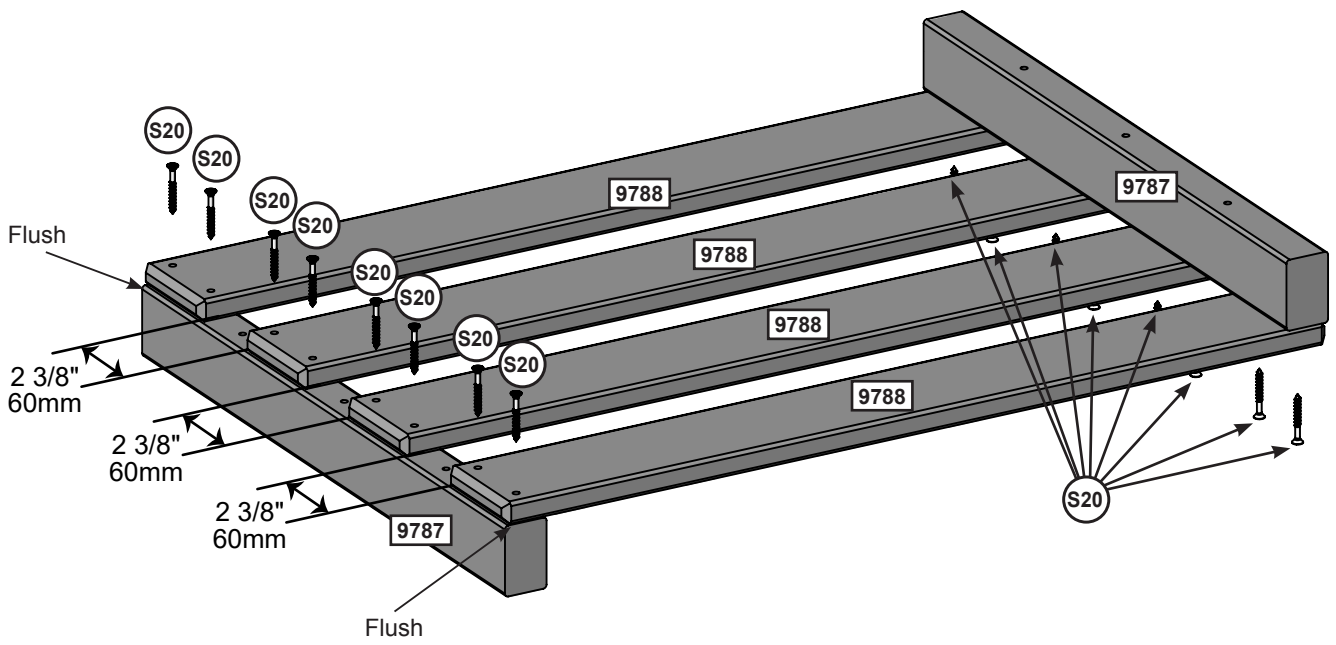
Wood Parts

- 7 x **9771** 15.9 x 114.3 x 906 mm (5/8 x 4-1/2 x 35-43/64")
- 1 x **9789** 15.9 x 88.9 x 906 mm (5/8 x 3-1/2 x 35-43/64")

Hardware

- 48 x **S20** #8 x 34.9 mm (#8 x 1-3/8")

Step 70



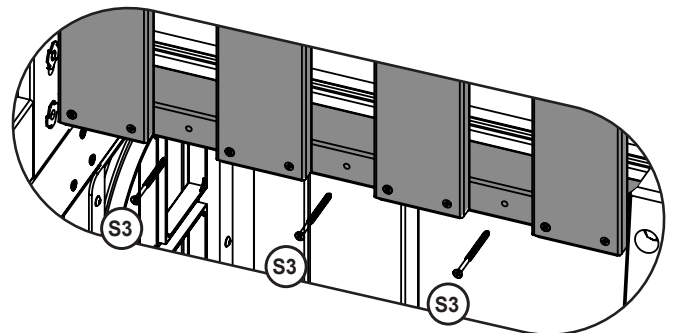
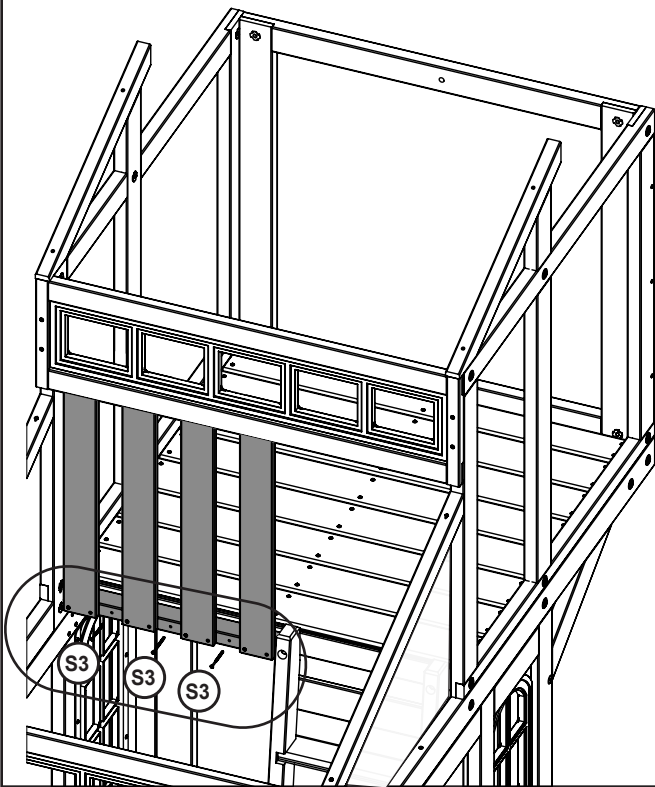
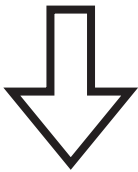
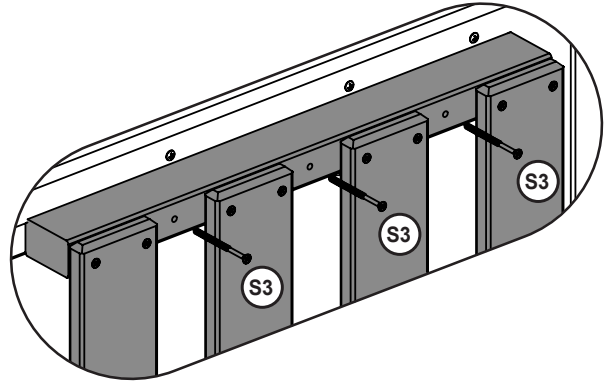
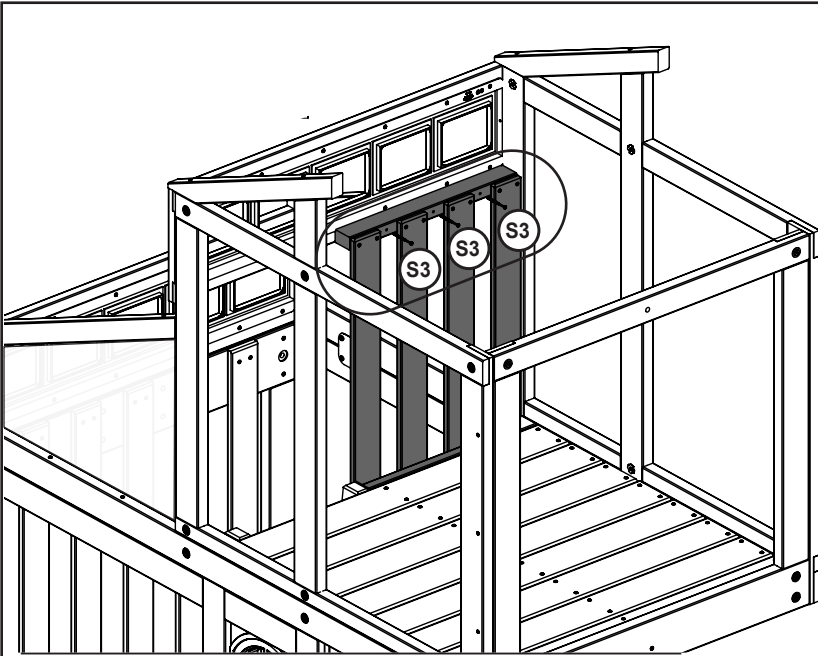
Wood Parts

- 2 x 9787 31.8 x 50.8 x 480 mm (1-1/4 x 2 x 18-7/8")
- 4 x 9788 15.9 x 76.2 x 644.6 mm (5/8 x 3 x 25-3/8")

Hardware

- 16 x S20 #8 x 34.9 mm (#8 x 1-3/8")

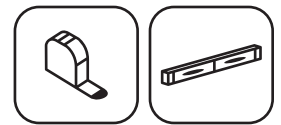
Step 71



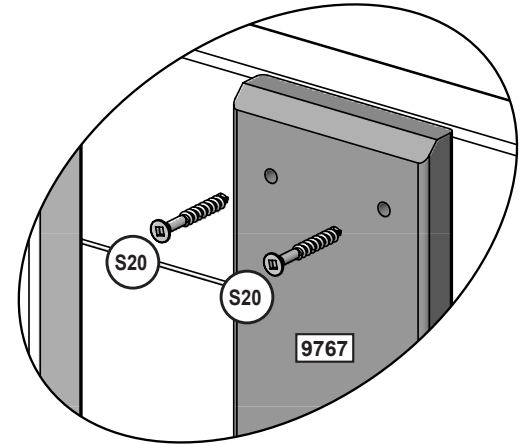
Hardware

6 x  #8 x 63.5 (#8 x 2-1/2")

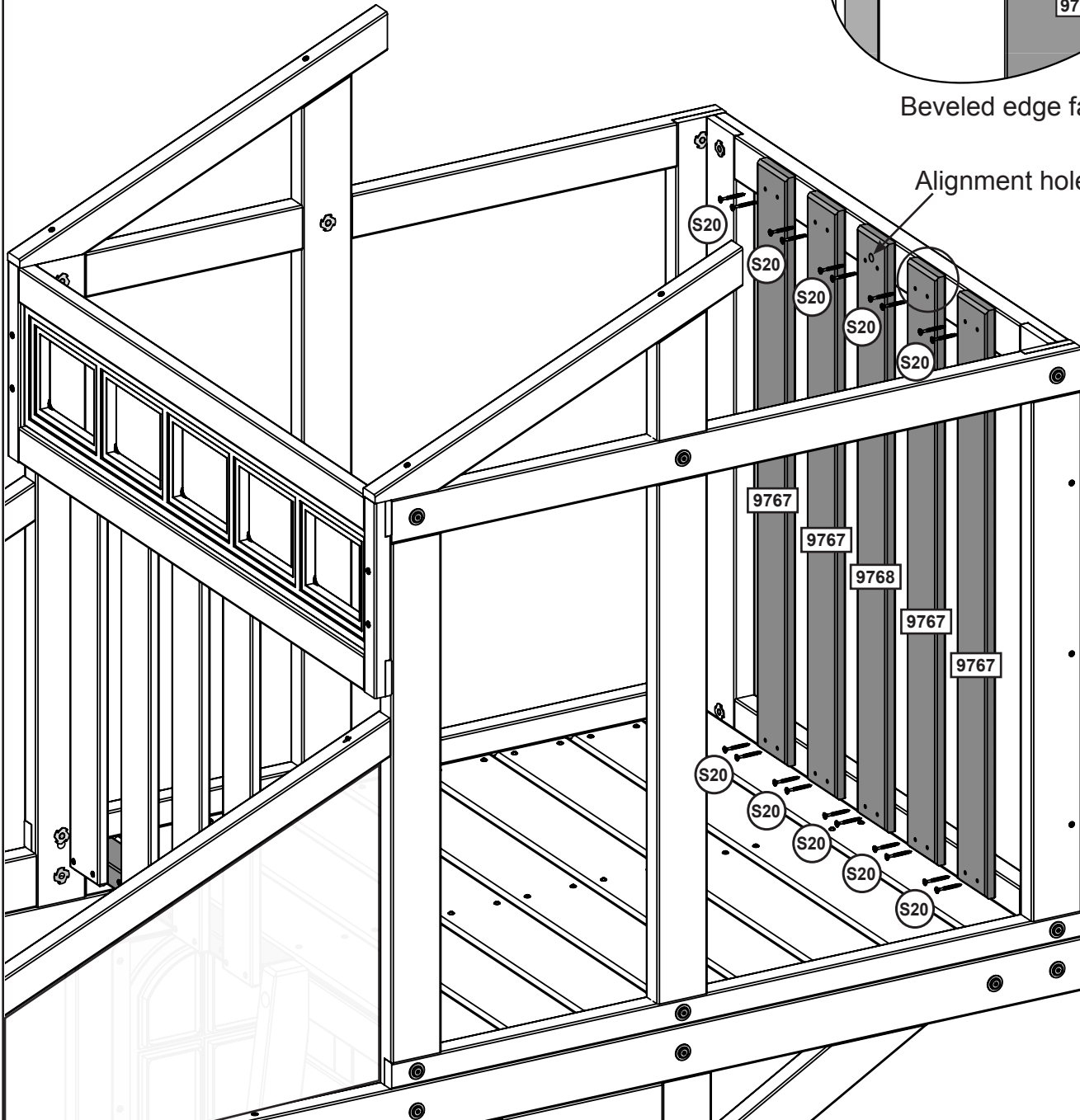
Step 72



Center 9768 board and evenly space the rest



Beveled edge faces into fort



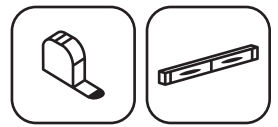
Wood Parts

- 4 x 15.9 x 76.2 x 842.5 mm (5/8 x 3 x 33-3/16")
- 1 x 15.9 x 76.2 x 842.5 mm (5/8 x 3 x 33-3/16")

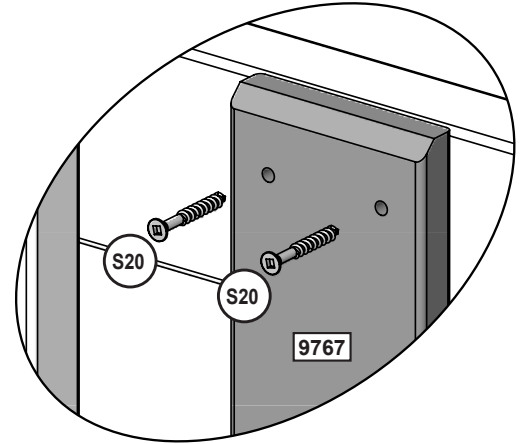
Hardware

- 20 x #8 x 34.9 mm (#8 x 1-3/8")

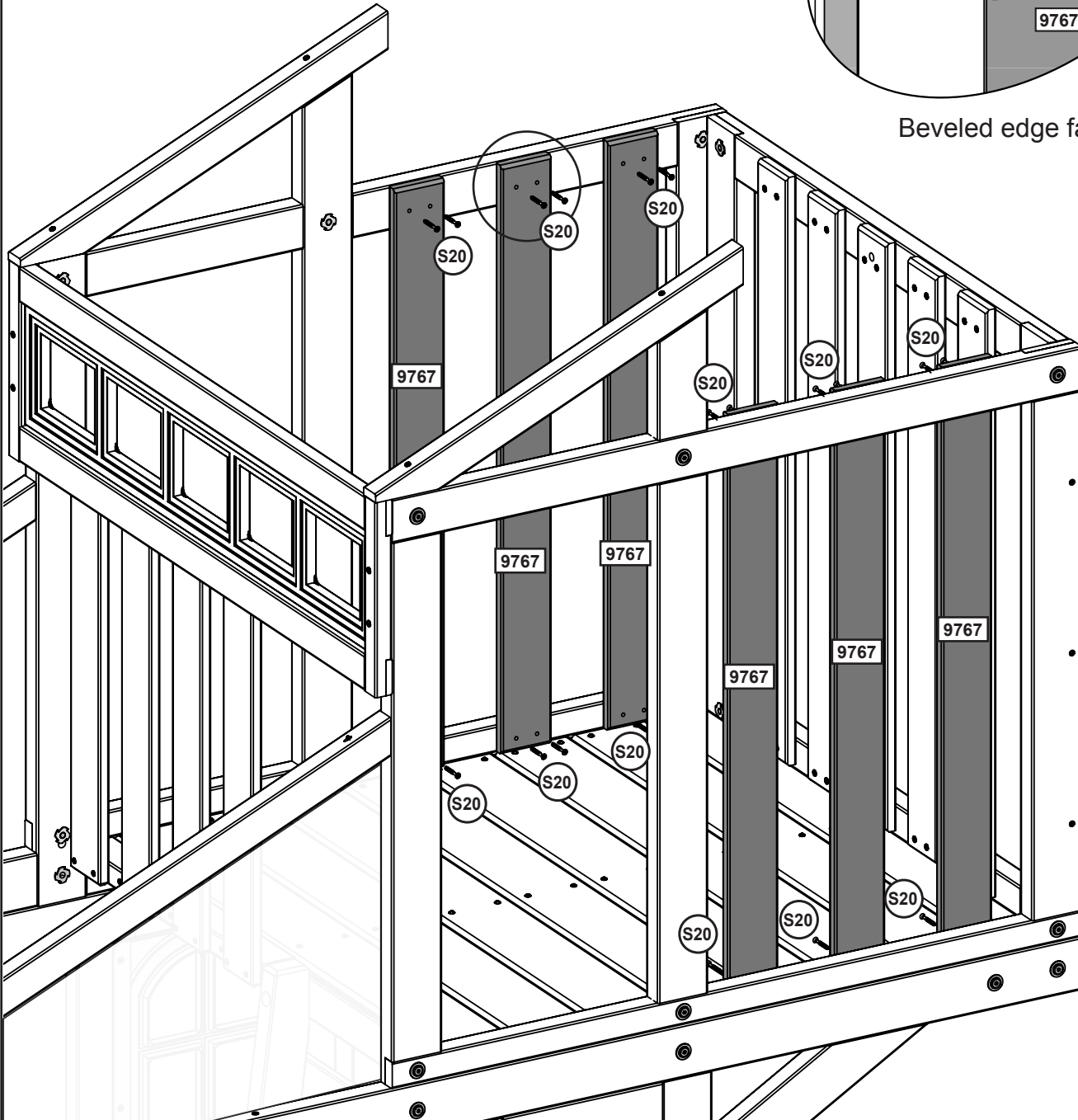
Step 73



Center first board and evenly space the rest



Beveled edge faces out



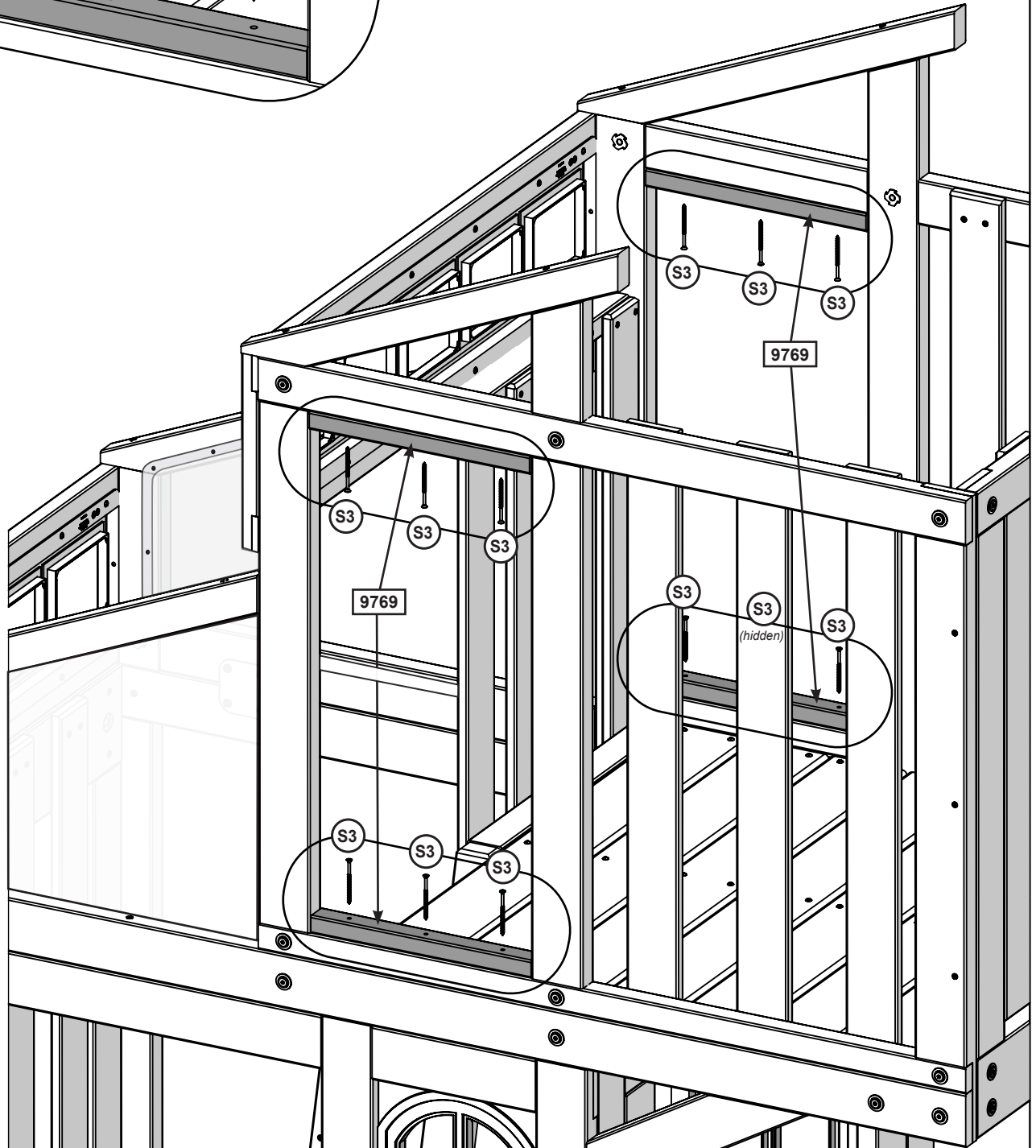
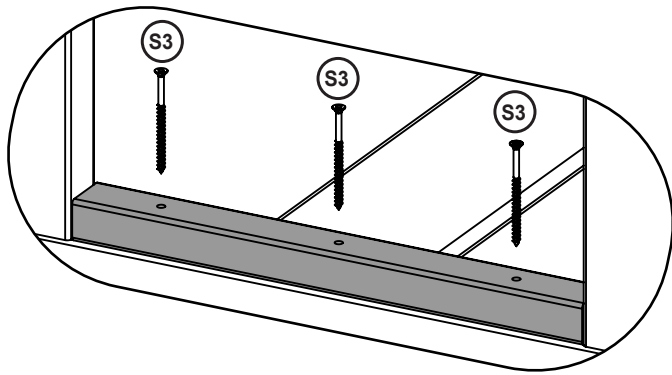
Wood Parts

6 x 15.9 x 76.2 x 842.5 mm (5/8 x 3 x 33-3/16")

Hardware

24 x #8 x 34.9 mm (#8 x 1-3/8")

Step 74



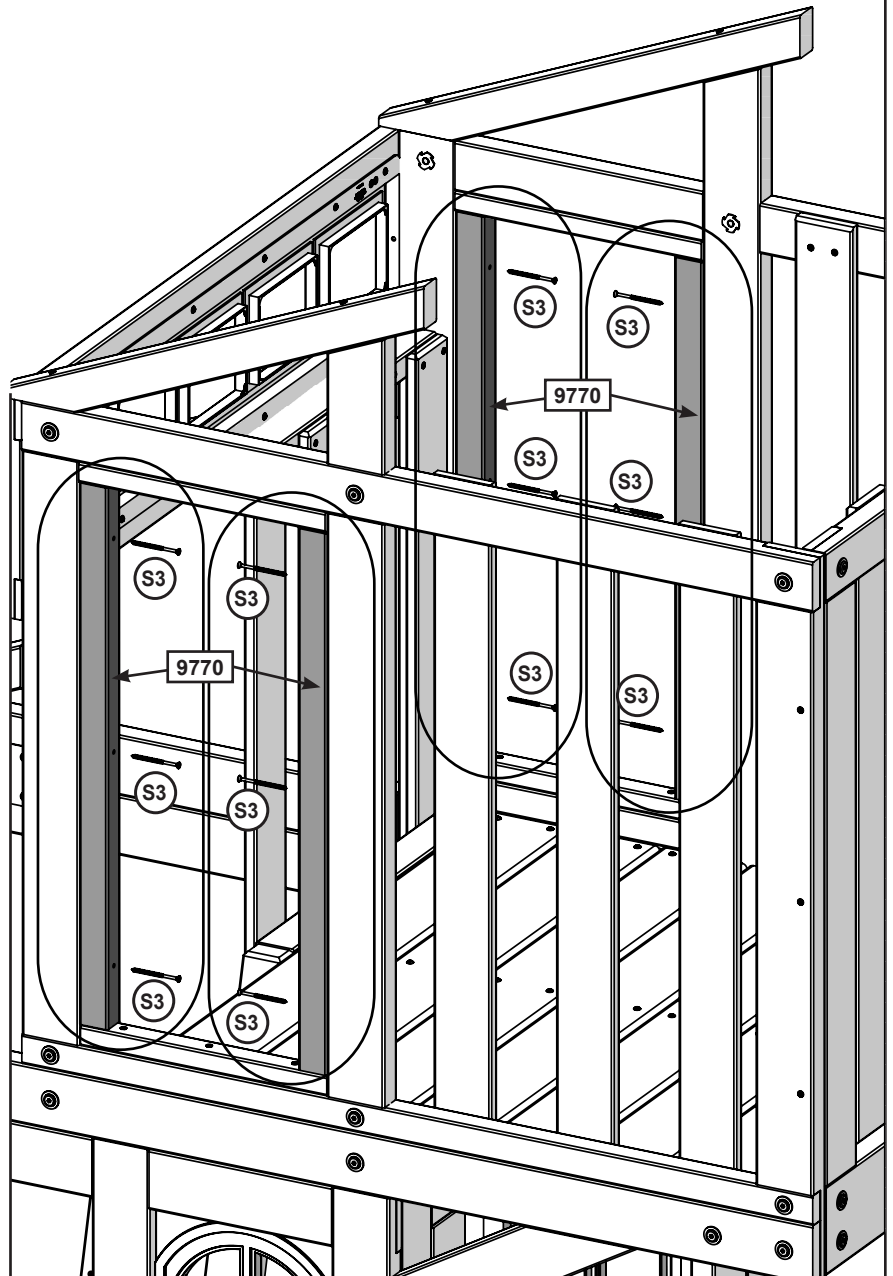
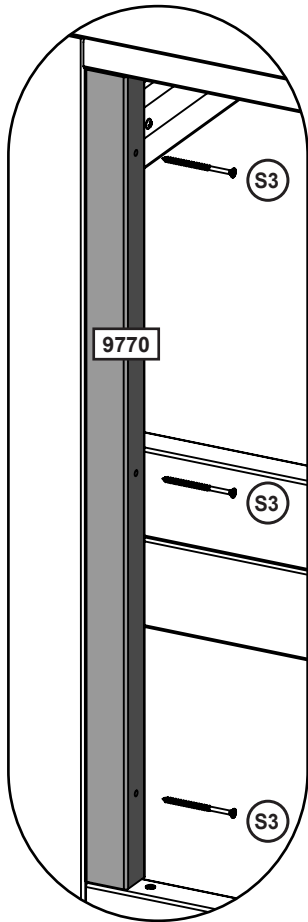
Wood Parts

4 x **9769** 25.4 x 31.8 x 328.2 mm (1 x 1-1/4 x 12-15/16")

Hardware

12 x **S3** #8 x 63.5 mm (#8 x 2-1/2")

Step 75



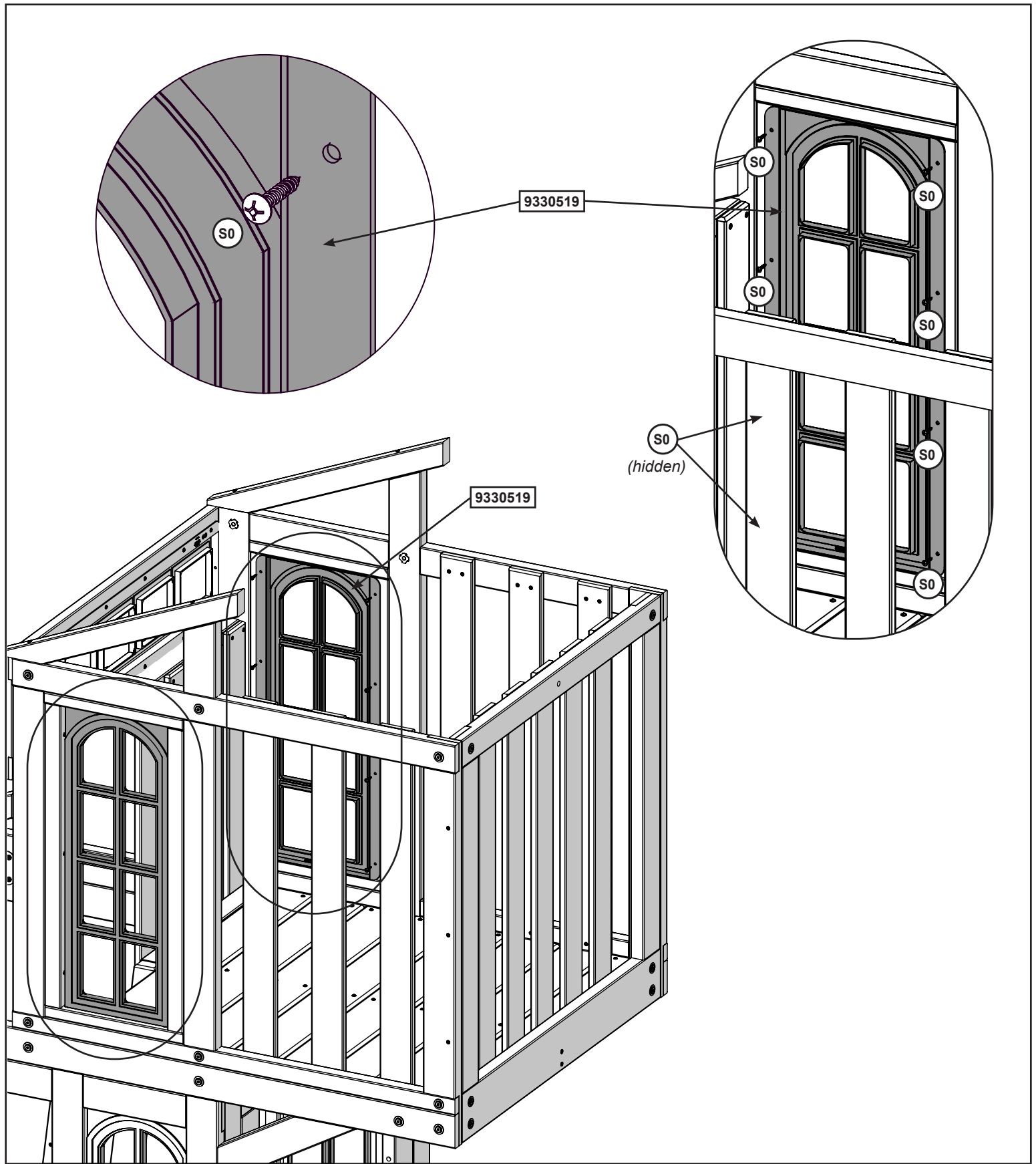
Wood Parts

4 x 9770 31.8 x 38.1 x 690.2 mm (1-1/4 x 1-1/2 x 27-3/16")

Hardware

12 x S3 #8 x 63.5 mm (#8 x 2-1/2")

Step 76



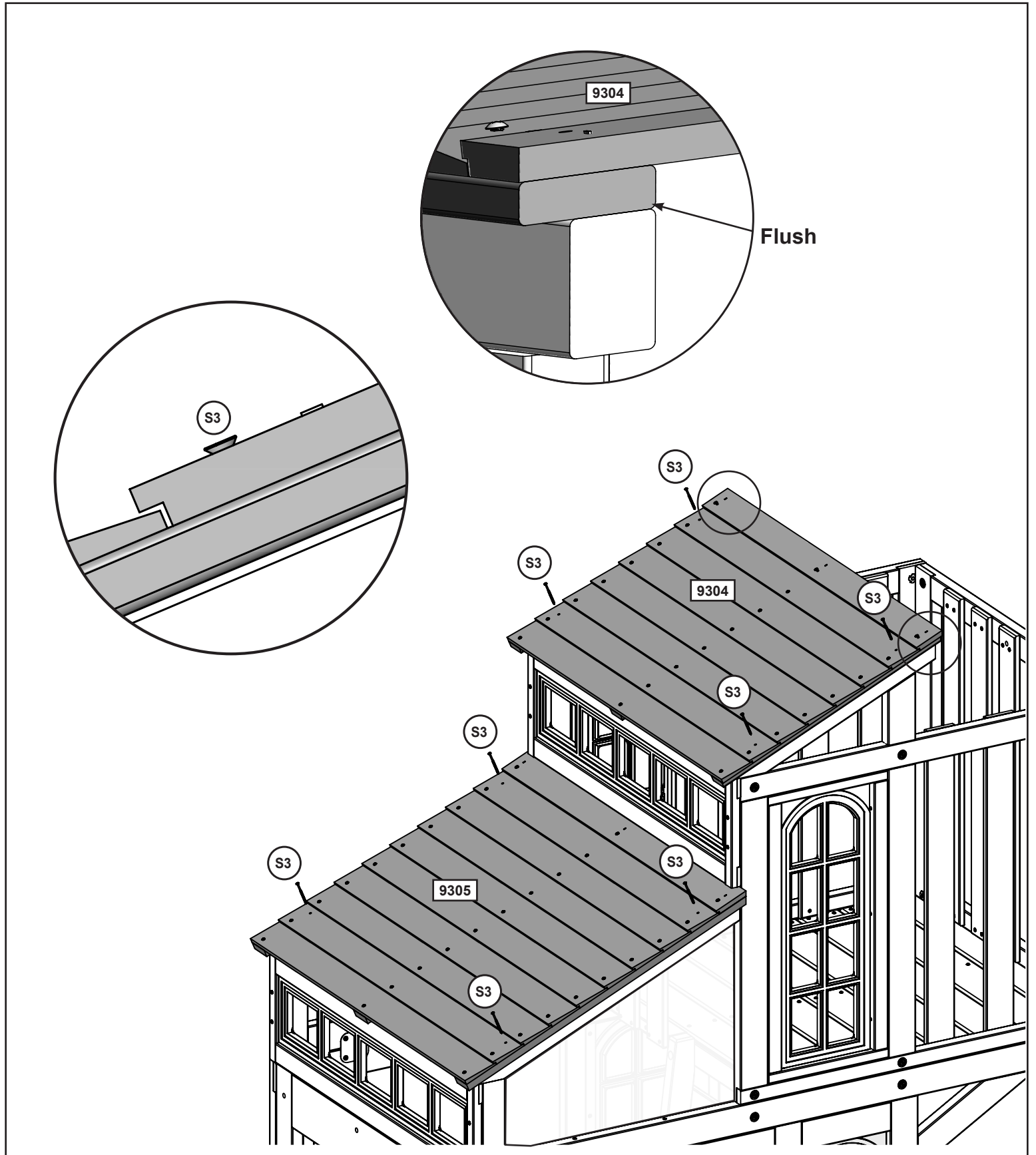
Hardware

16 x **S0** #8 x 22.2 mm (#8 x 7/8")

Other Parts

2 x **9330519**

Step 77



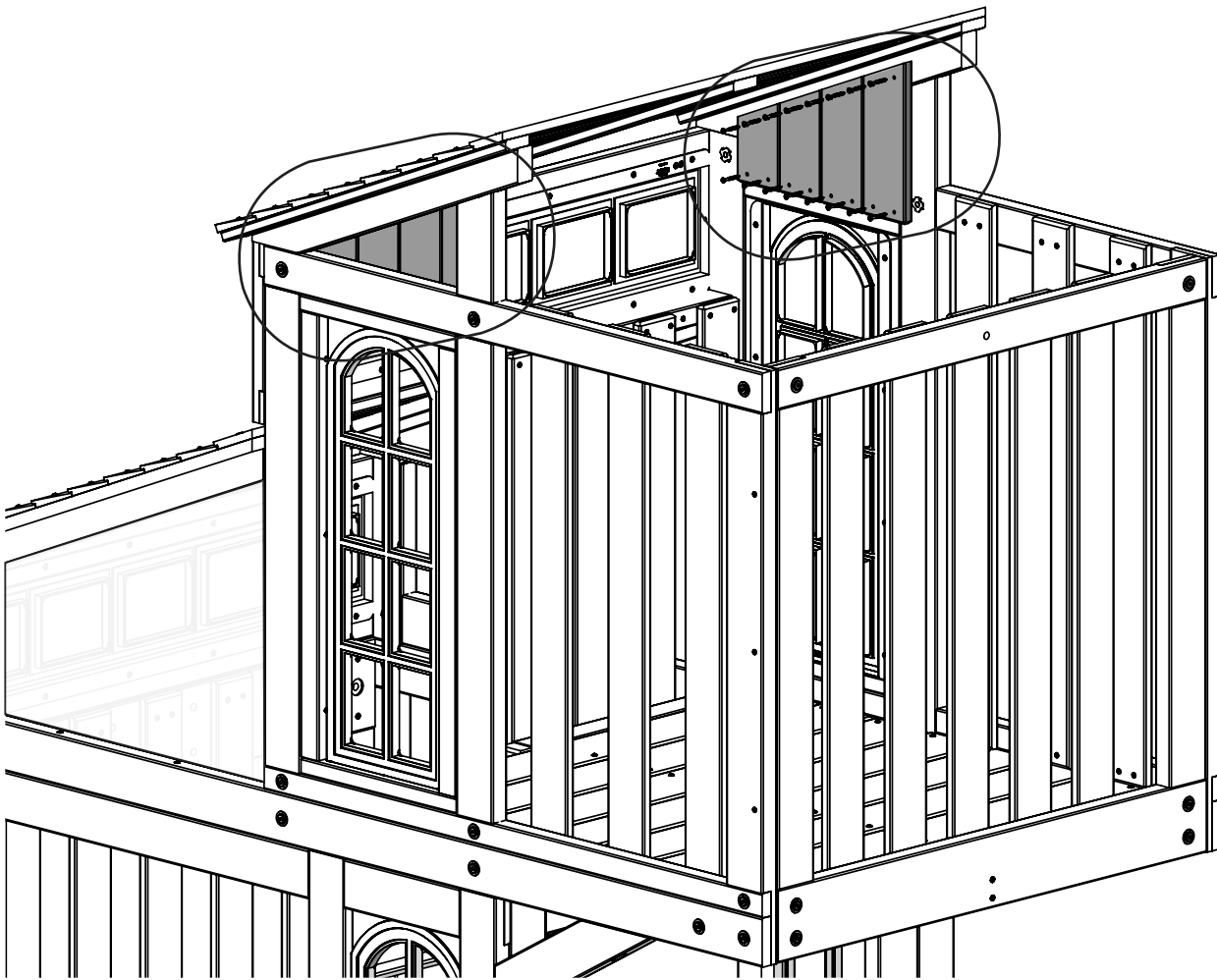
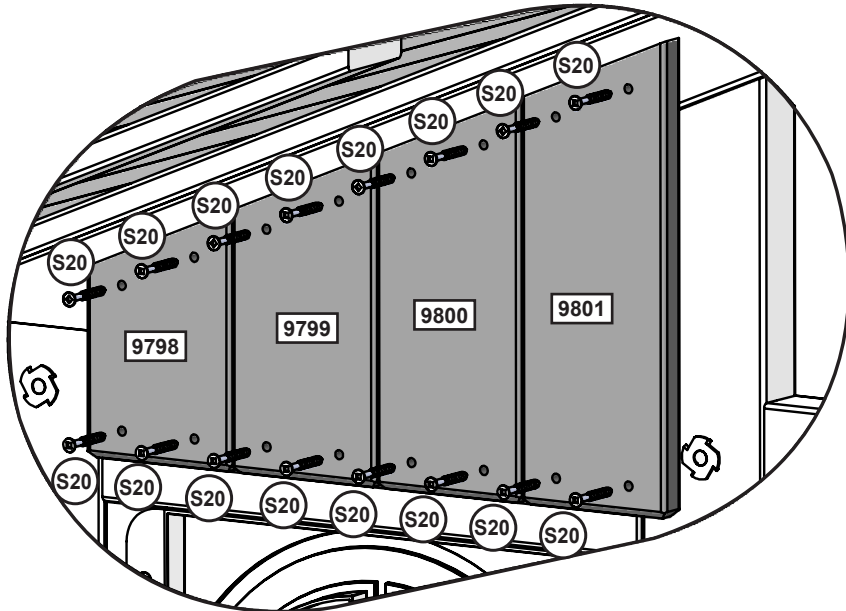
Wood Parts

- 1 x 9304 31.8 x 660.4 x 1016 mm (1-1/4 x 26 x 40")
- 1 x 9305 25.4 x 841.4 x 1016 mm (1-1/4 x 33-1/8 x 40")

Hardware

- 8 x S3 #8 x 63.5 mm (#8 x 2-1/2")

Step 78



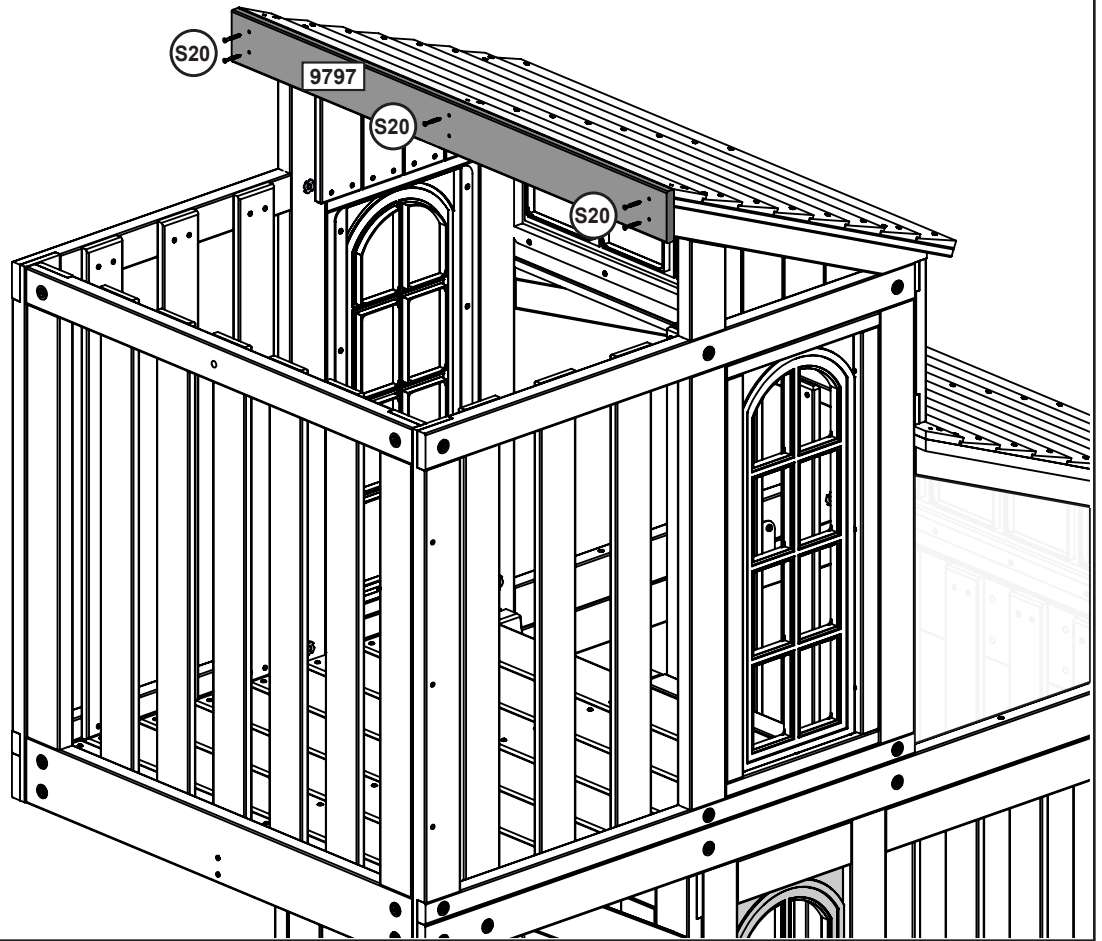
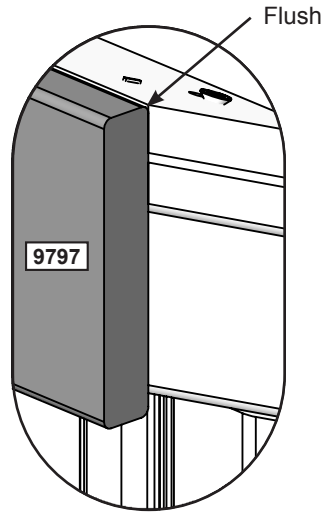
Wood Parts

- 2 x 9798 15.9 x 88.9 x 138.1 mm (5/8 x 3-1/2 x 5-7/16")
- 2 x 9799 15.9 x 88.9 x 175.8 mm (5/8 x 3-1/2 x 6-15/16")
- 2 x 9800 15.9 x 88.9 x 213.6 mm (5/8 x 3-1/2 x 8-7/16")
- 2 x 9801 15.9 x 88.9 x 251.3 mm (5/8 x 3-1/2 x 9-7/8")

Hardware

- 32 x S20 #8 x 34.9 mm (#8 x 1-3/8")

Step 79



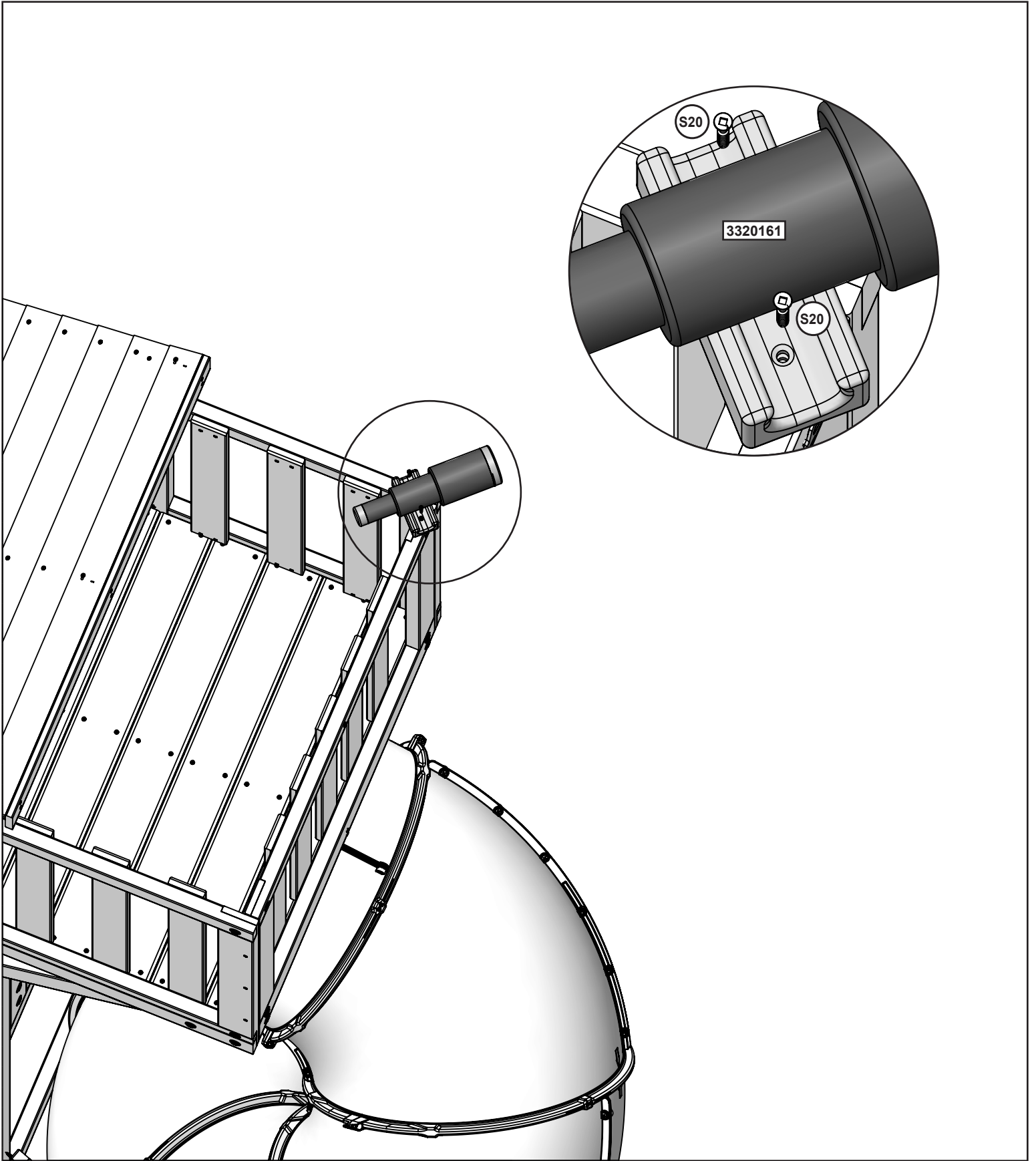
Wood Parts

1 x 9797 15.9 x 88.9 x 1022.4 mm (5/8 x 3-1/2 x 40-1/4")


Hardware

5 x S20 #8 x 34.9 mm (#8 x 1-3/8")

Step 80



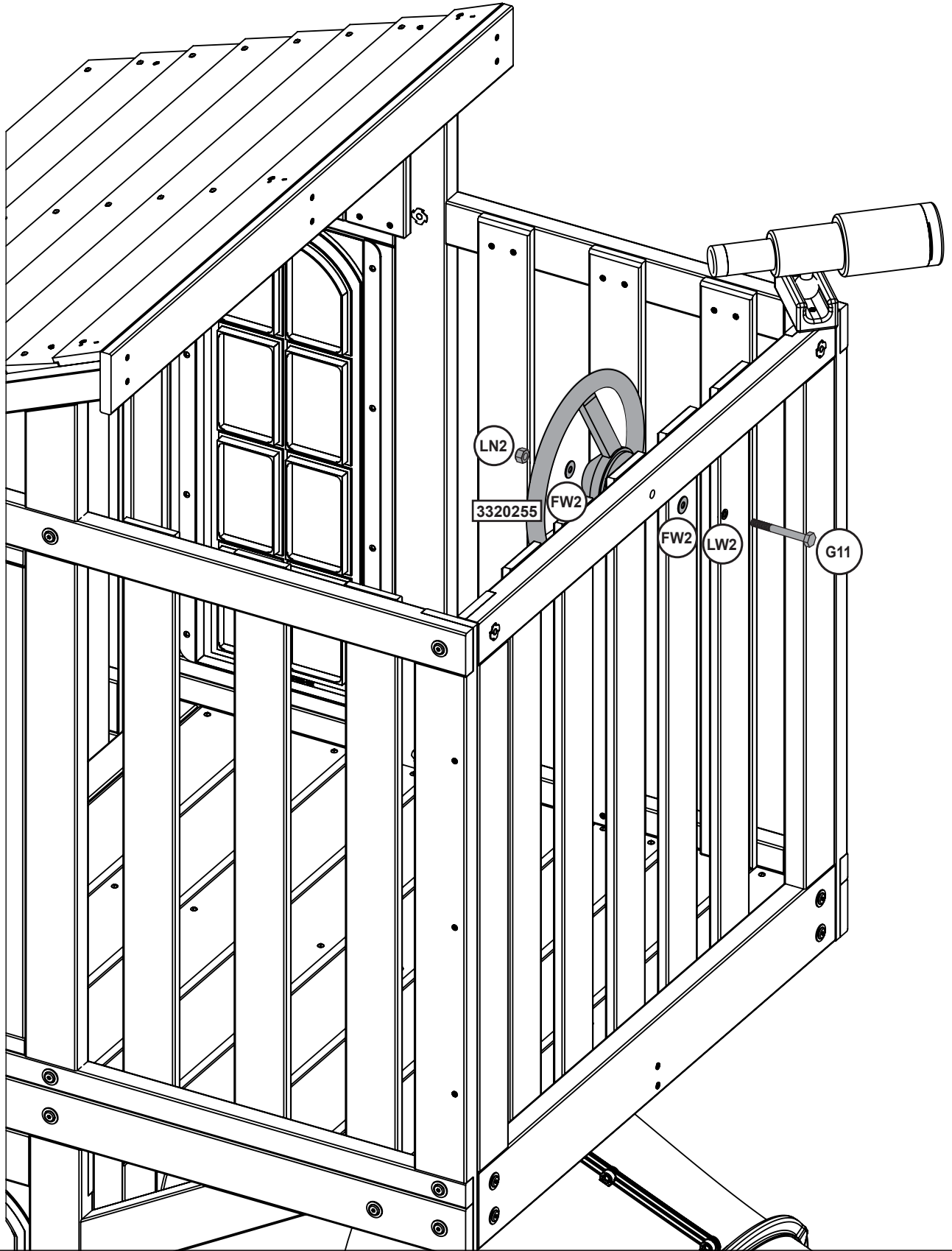
Hardware

2 x  #8 x 35 mm (#8 x 1-3/8")


Other Parts

1 x 

Step 81



Hardware

1 x  7.9mm x 88.9 mm (5/16 x 3-1/2") (FW2 x 2, LW2, LN2)

Other Parts

1 x  3320255

