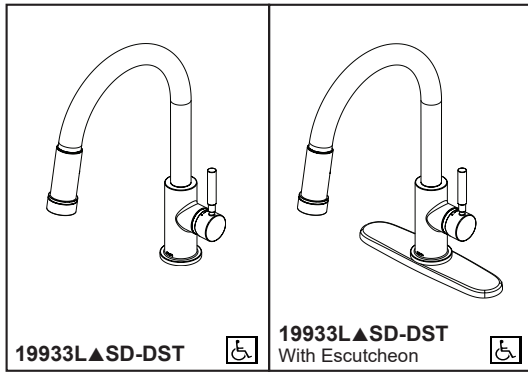




see what Delta can do™

## KITCHEN FAUCETS

- Trask™ Collection
- Single Handle Pull-Down



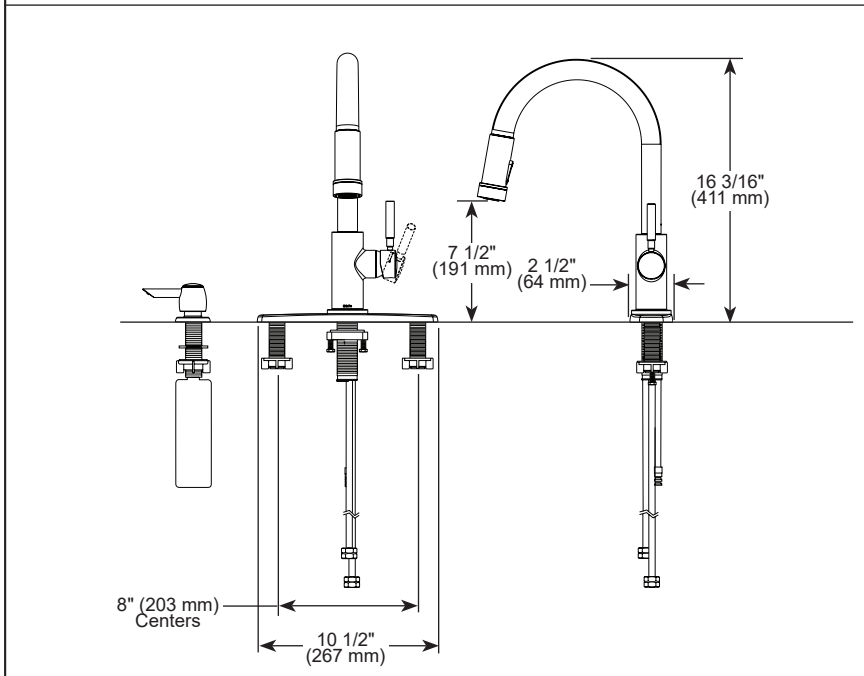
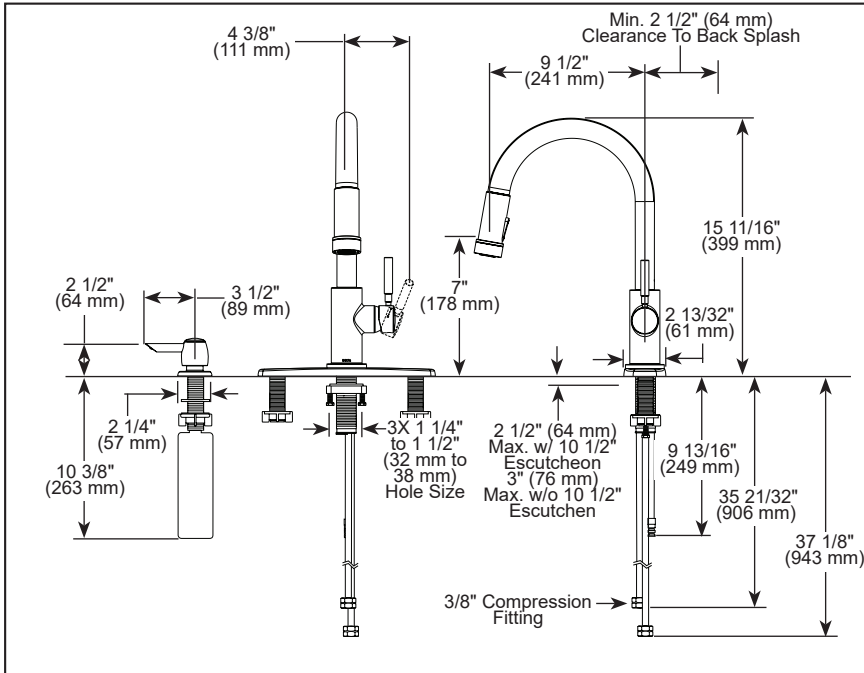
Submitted Model No.: \_\_\_\_\_  
 Specific Features: \_\_\_\_\_

### FEATURES:

- MagnaTite® Magnetic Docking
- TouchClean® Sprayhead
- DIAMOND Seal® Technology
- TempSense® Indicator

### STANDARD SPECIFICATIONS:

- Maximum 1.8 gpm @ 60 PSI, 6.8 L/min @ 414 kPa.
- One, two, three, and four hole mount (escutcheon included)
- Full motion cartridge
- 3/8" O.D. straight, staggered PEX supply lines
- Spout rotate 360°
- Hot/Cold indicator markings
- Two-function wand; Aerated stream or spray
- Dual integral check valves in sprayer



### WARRANTY

- Parts and Finish – Lifetime limited warranty; or for commercial purchasers, 10 years for multi-family residential (apartments and condominiums) and 5 years for all other commercial uses, in each case from the date of purchase.
- Electronic Parts and Batteries (if applicable) – 5 years from the date of purchase; or for commercial purchasers, 1 year from the date of purchase. No warranty is provided on batteries.

### COMPLIES WITH:

- ASME A112.18.1/ CSA B125.1
- ASME A112 A112.18.6
- Indicates compliance to ICC/ANSI A117.1
- Verified compliant with .25% weighted average Pb content regulations.

### ▲ Designate Proper Finish Suffix

Delta reserves the right (1) to make changes in specifications and materials, and (2) to change or discontinue models, both without notice or obligation. Dimensions are for reference only. See current full-line price book or [www.deltafaucet.com](http://www.deltafaucet.com) for finish options and product availability.

DSP-K-19933L-SD-DST Rev. A

### Delta Faucet Company

55 E. 111th Street, Indianapolis, Indiana 46280  
 350 South Edgeware Road, St. Thomas, ON N5P 4L1  
 © 2018 Delta Faucet Company