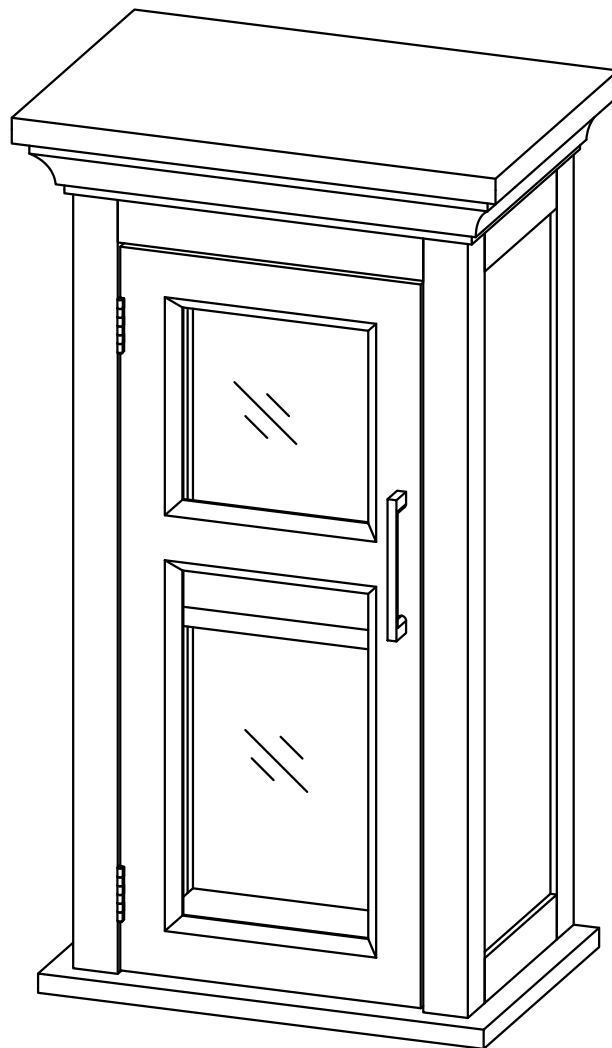


SIMPLIHOME®

Avington / Mia / Hayes

Single Door Wall Cabinet

Model # AXCBSAVN03-WH



SIMPLIHOME

Great quality is a right.

Thank you for shopping with Simpli Home,
America's top brand for high-value furniture.



It's time to register your product warranty.

It's quick and easy. And you'll be happy you did.



- ✓ Activate your **1-year** warranty
- ✓ Automatic entry to win a **\$500** gift certificate
- ✓ Earn instant rewards and **save**



simpli-home.com/product-registration

SIMPLIHOME

Review your product and collect rewards!

Thank you for your purchase! We hope you enjoy it. We'd love your feedback. Please share a review and get instant rewards!



simpli-home.com/product-review



Share photos and get your cash back!



Send us images or share them on social and qualify for instant rewards. You may even receive store credit on your entire purchase!



simpli-home.com/share-images

SIMPLIHOME®

For Fastest Customer Service:



1. Open your phone's camera.
2. Point your phone's camera at the QR code to scan.
3. Click on the pop up.
4. You'll be taken to our customer service page.
5. Fill the form with your order information and issue.
6. Submit form.
7. A customer service associate will contact you.

Other ways to contact us...



Email Us

customerservice@simpli-home.com



Visit Us

Visit our site directly at
www.simpli-home.com



Call Us

1-866-518-0120
Monday to Friday
9am to 5pm EST

***If you've purchased from a retailer and you wish to return the product, please contact the retailer directly.**

IMPORTANT : Please read this manual carefully before beginning assembly of this product. Keep this manual for future reference.

Safety Information

This furniture is designed for indoor use.

Identify all the parts and hardware. Do not discard of the packaging until you have checked that you have all of the parts and hardware required. Hardware package may have spare parts.

WARNING: This item contains small parts which can be swallowed by children and pets. Keep children and pets away during assembly. To avoid danger of suffocation, always keep plastic bags away from children and pets. We recommend that you assemble this unit on a carpeted floor to avoid scratches. If using power tools, set the tool to low torque to avoid damage.

May require 2 people for ease of assembly.

Care & Maintenance

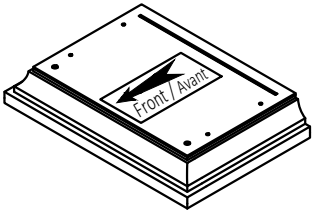
To clean, use a soft or slightly damp cloth, then wipe with a clean, dry cloth. Dust with a soft dry cloth.

Do not use ammonia-based cleaning products, as they will damage the finish. Do not leave liquids or damp cloths on this furniture.

To avoid dulling of the finish, do not place this furniture in direct sunlight. Please inspect and tighten all screws or bolts on a regular basis to ensure proper performance and safety of your item.

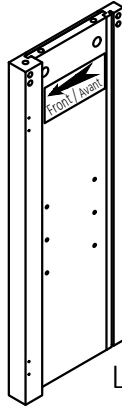
Part Description

A



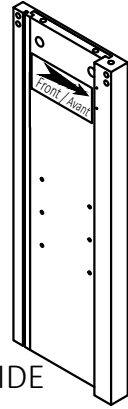
TOP
QTY 1

BL



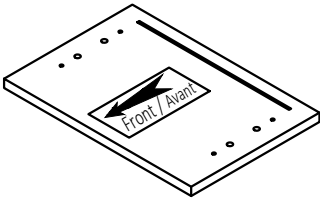
LEFT SIDE
QTY 1

BR



RIGHT SIDE
QTY 1

C



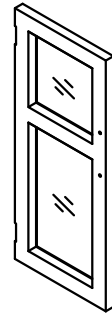
BOTTOM SHELF
QTY 1

D



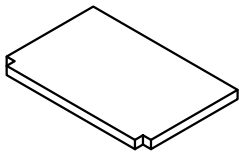
BACK PANEL
QTY 1

E



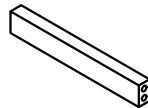
DOOR
QTY 1

F



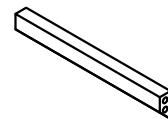
SHELF
QTY 1

G



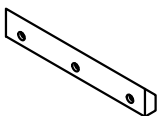
FRONT BAR
QTY 1

H



BACK BAR
QTY 1

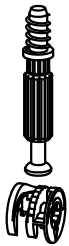
I



WALL MOUNT BAR
QTY 1

Hardware Description

1



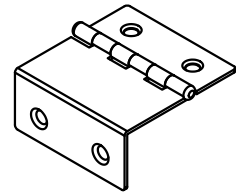
CAM LOCK PIN
CAM LOCK
QTY 4 SETS

2



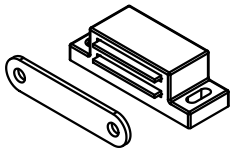
WOOD DOWEL
Ø8 X 30mm
QTY 14

3



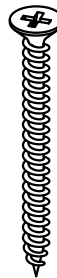
HINGE
QTY 2

4



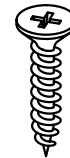
MAGNET AND PLATE
QTY 1 SET

5



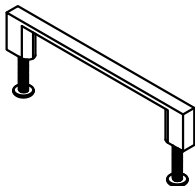
PHILLIPS SCREW
M4 X 50mm
QTY 7

6



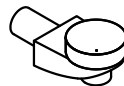
PHILLIPS SCREW
M3 X 15mm
QTY 12

7



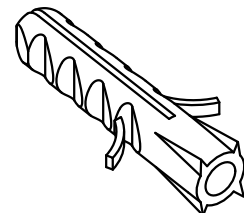
HANDLE
M4 X 25 mm
QTY 1 SET

8

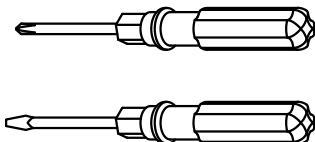


SHELF SUPPORT
QTY 4

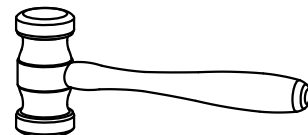
9

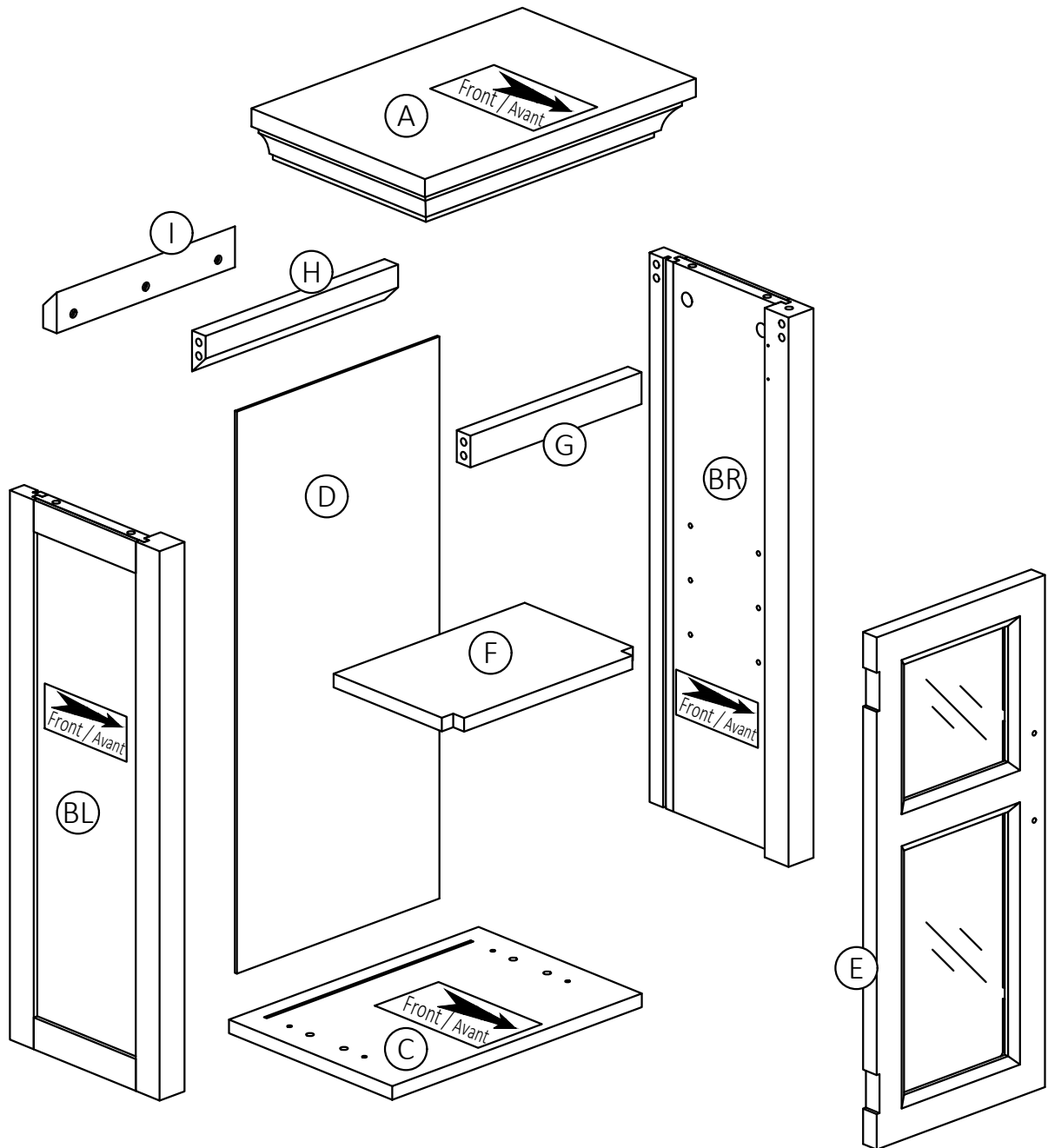


WALL ANCHOR
QTY 2

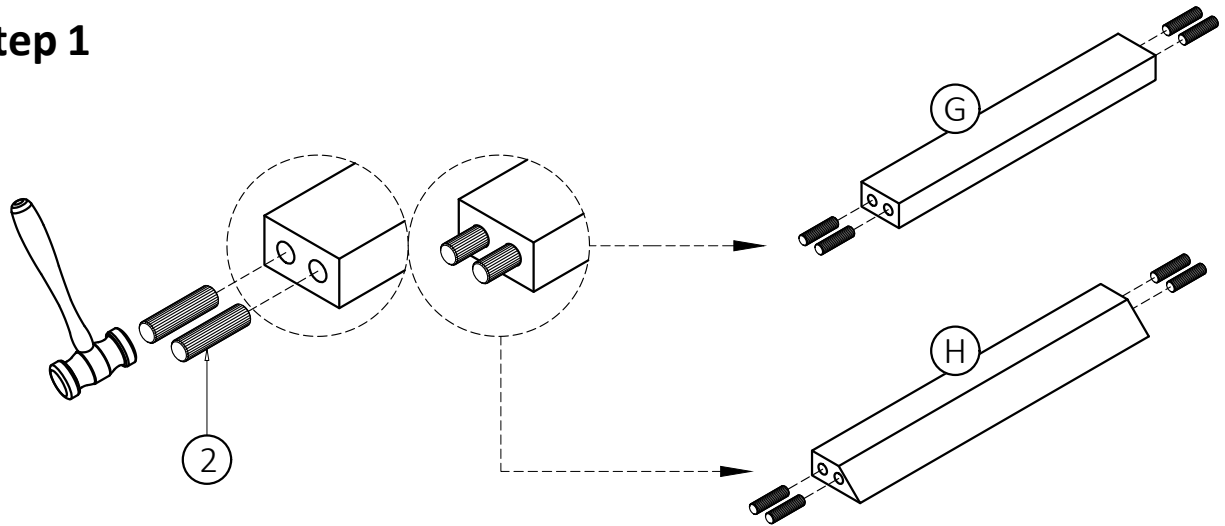


Required -
Flathead screwdriver
Phillips screwdriver
Rubber mallet
Not Included



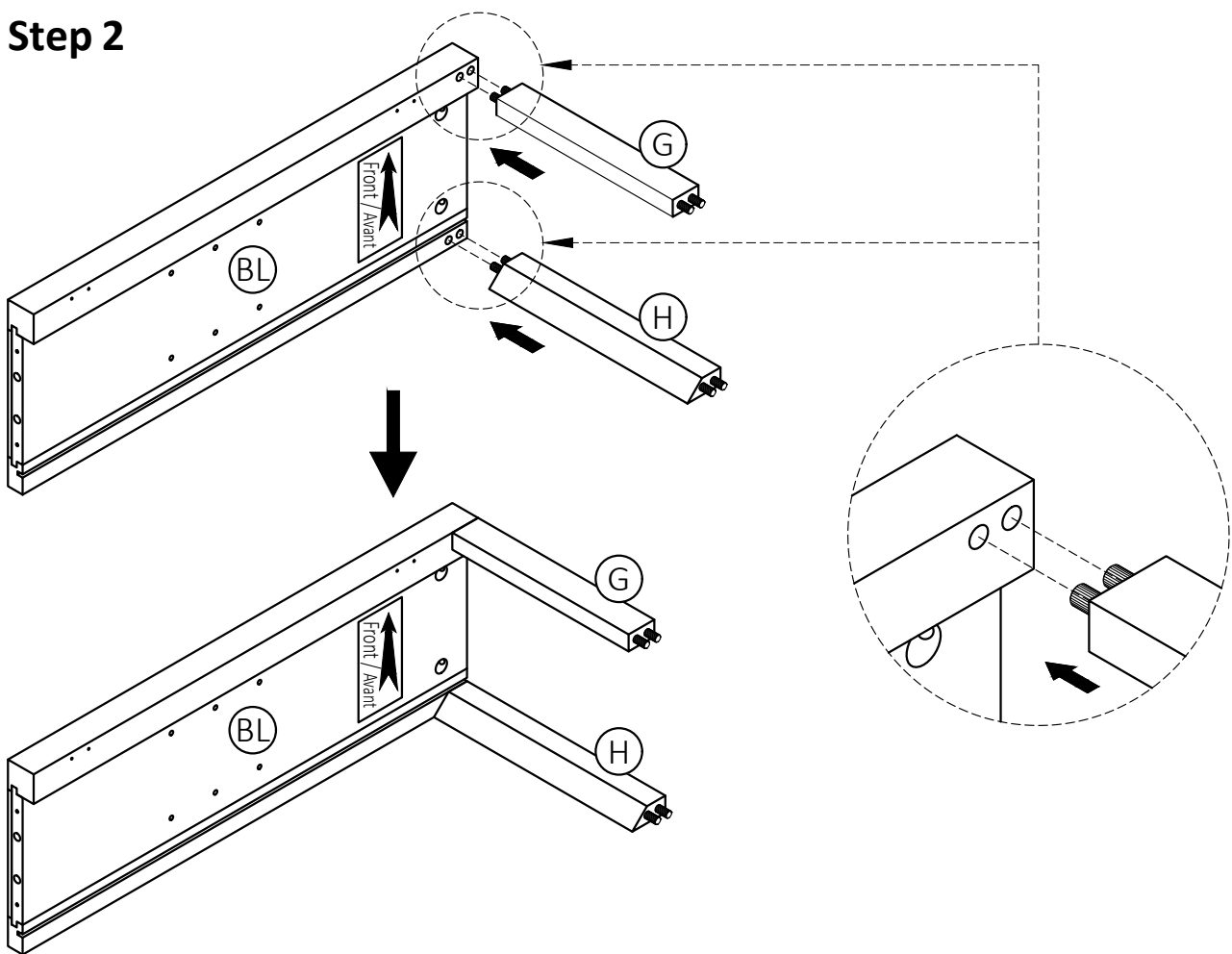


Step 1



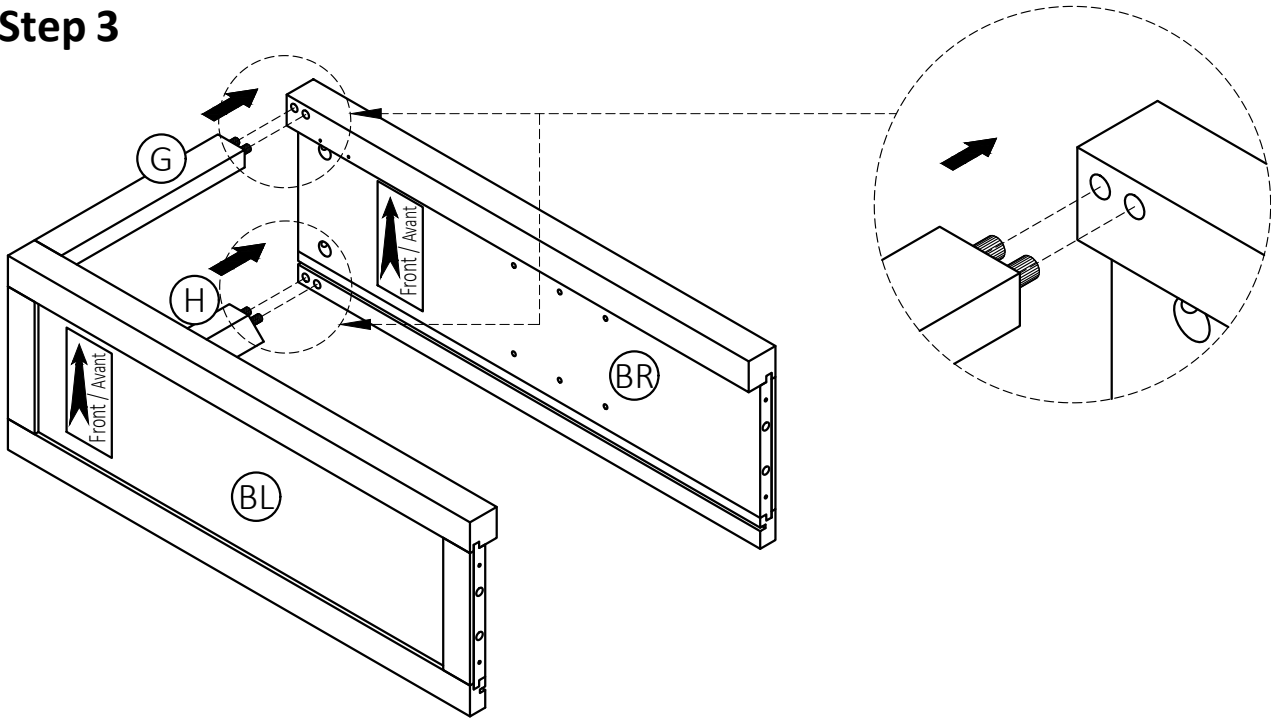
1. Insert four Dowels (2) into guide holes on each part (G), (H).
2. Use rubber mallet to tap Dowels (2) into bottom of holes securely. 1/2 length of Dowels should be exposed.

Step 2



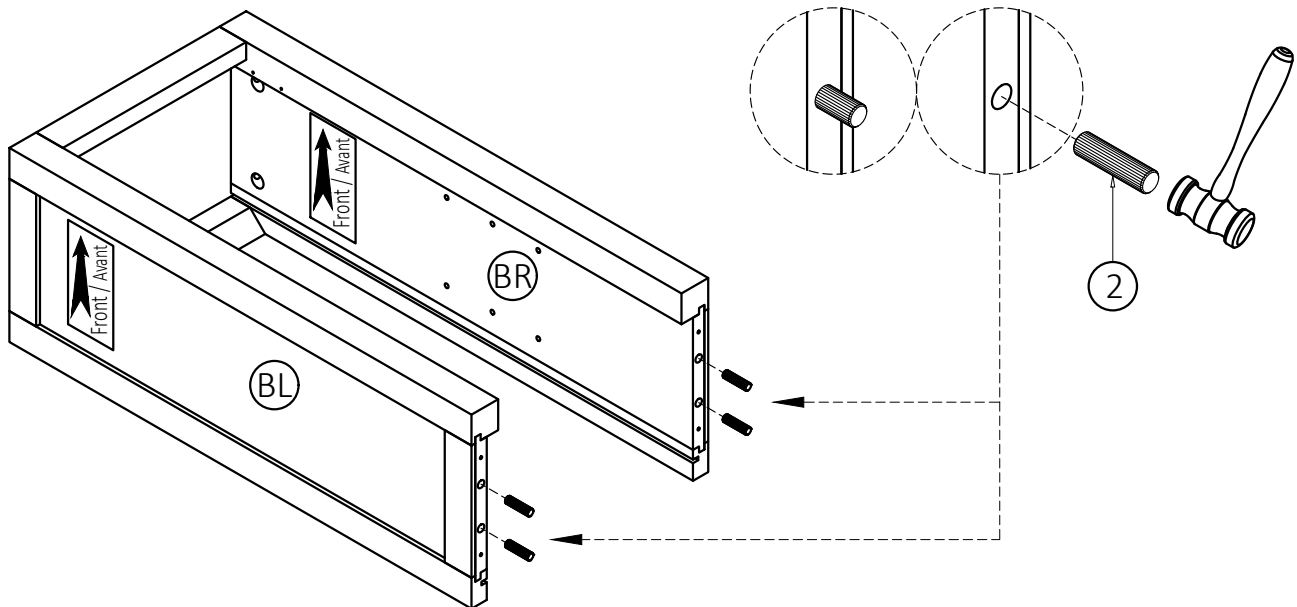
1. Align Wood Dowels with guide holes and attach parts (G), (H) to Left Side (BL).

Step 3



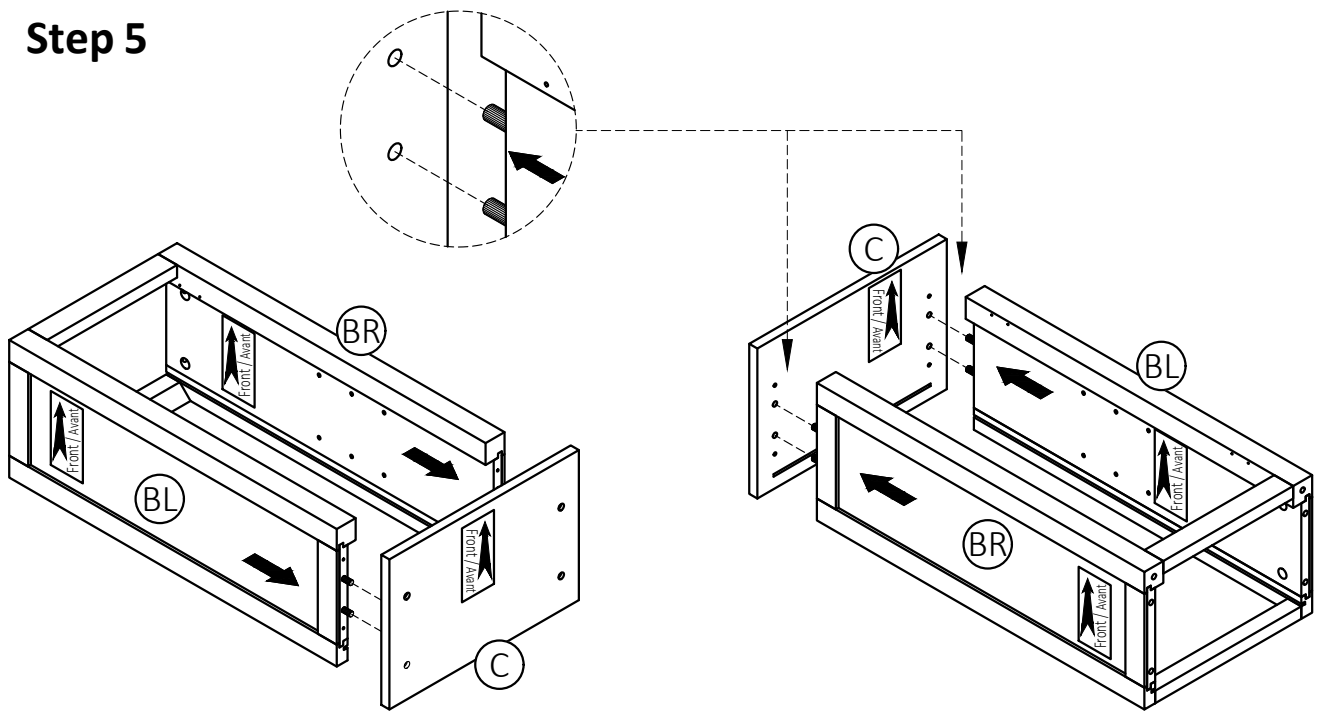
1. Repeat Step 2 for the Right Side (BR).

Step 4

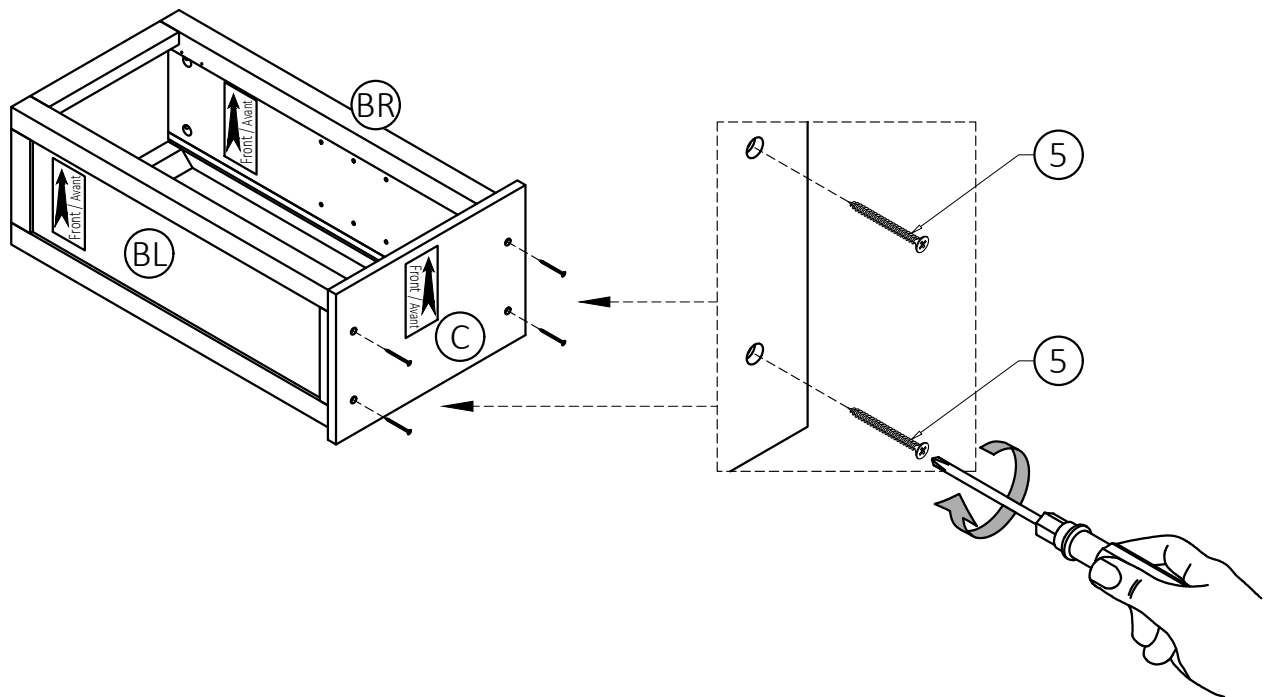


1. Insert two Dowels (2) into guide holes on each Side (BL), (BR).
2. Use rubber mallet to tap Dowels (2) into bottom of holes securely. 1/2 length of Dowels should be exposed.

Step 5



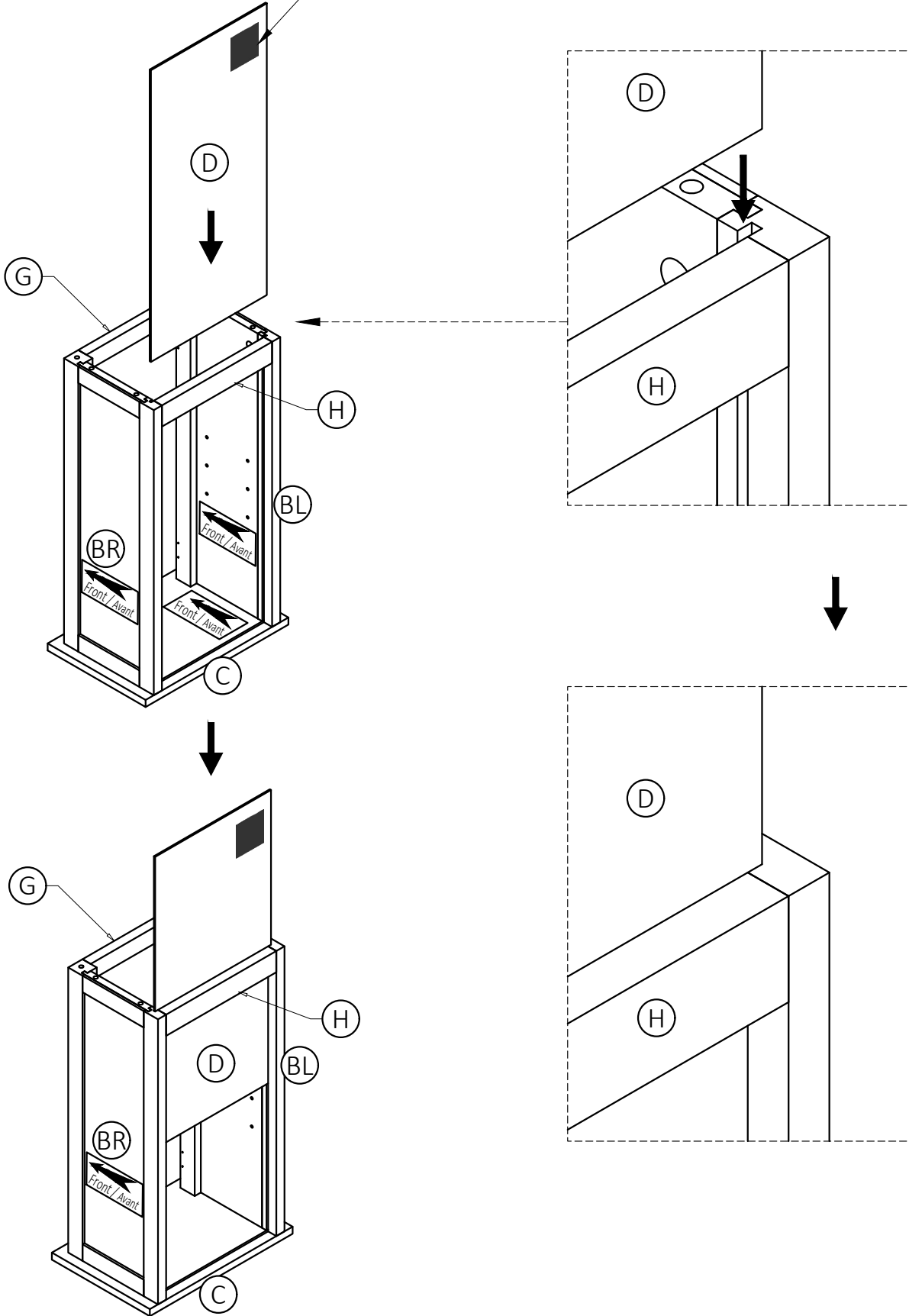
1. Align Wood Dowels with guide holes and attach Side (BL), (BR) to Bottom Shelf (C).



2. Use four Phillips Screws (5) to attach Bottom Shelf (C) through guide holes from Bottom Shelf (C) to pre-drilled holes of Sides (BL), (BR).
3. Use Phillips screwdriver to secure Screws. Do not over-tighten.

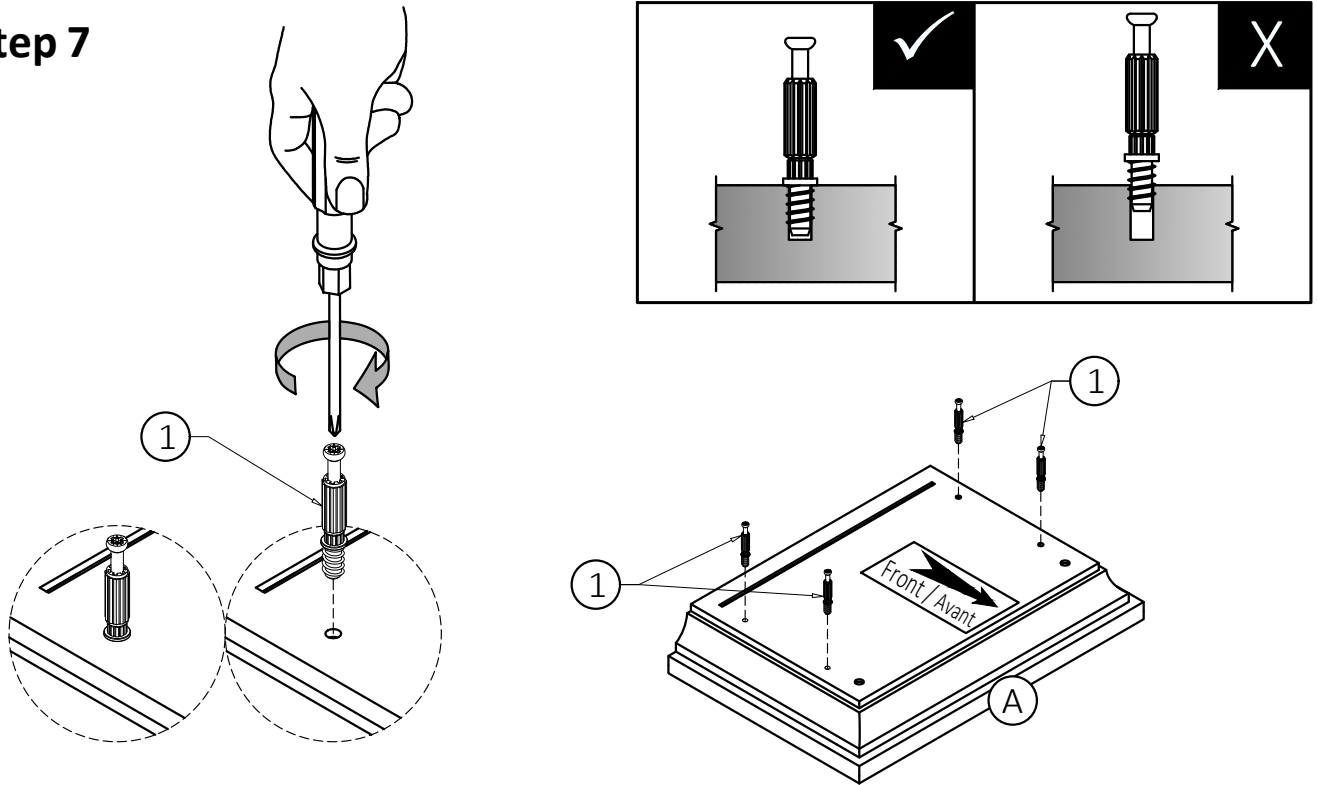
Step 6

Warning Label



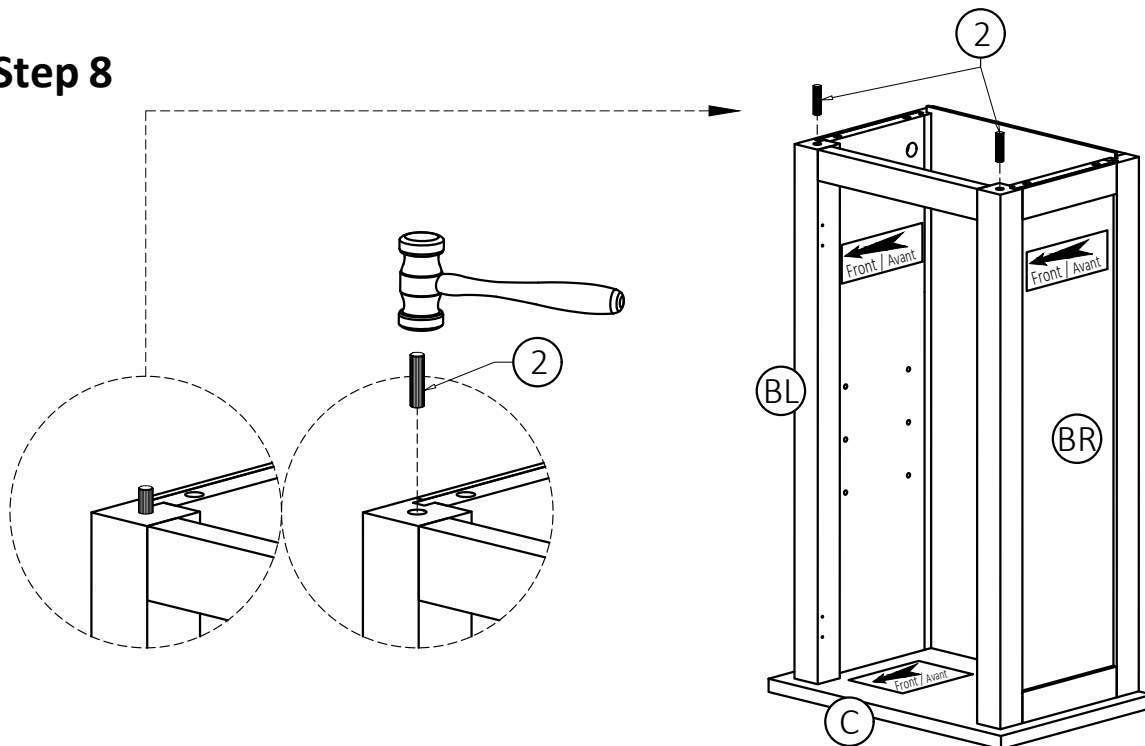
1. Slide Back Panel (D) firmly into slots on Sides (BL), (BR) and Bottom Shelf (C).

Step 7



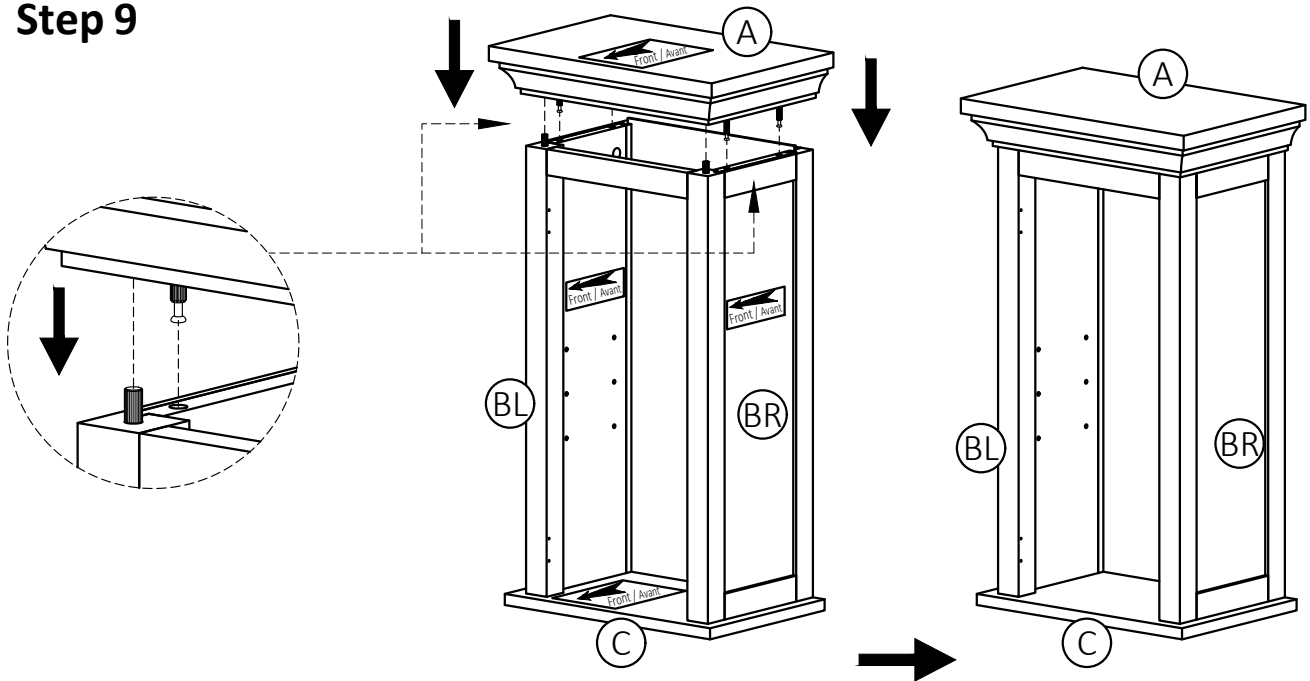
1. Attach four Cam Lock Pins (1) into pre-drilled holes on Top (A).
2. Use Phillips screwdriver to secure Cam Lock Pins. Do not over-tighten.

Step 8

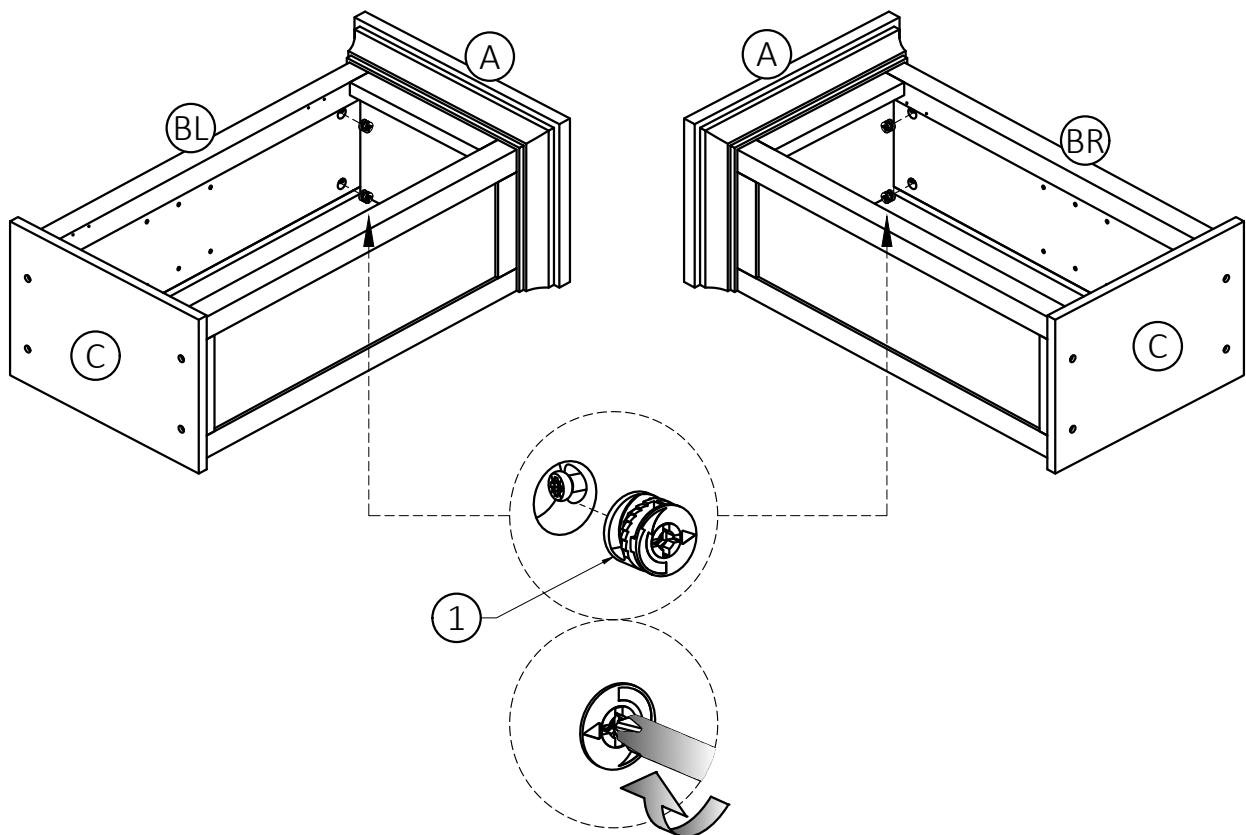


1. Insert two Dowels (2) into guide holes on each Side (BL, BR).
2. Use rubber mallet to tap Dowels (2) into bottom of holes securely. 1/2 length of Dowels should be exposed.

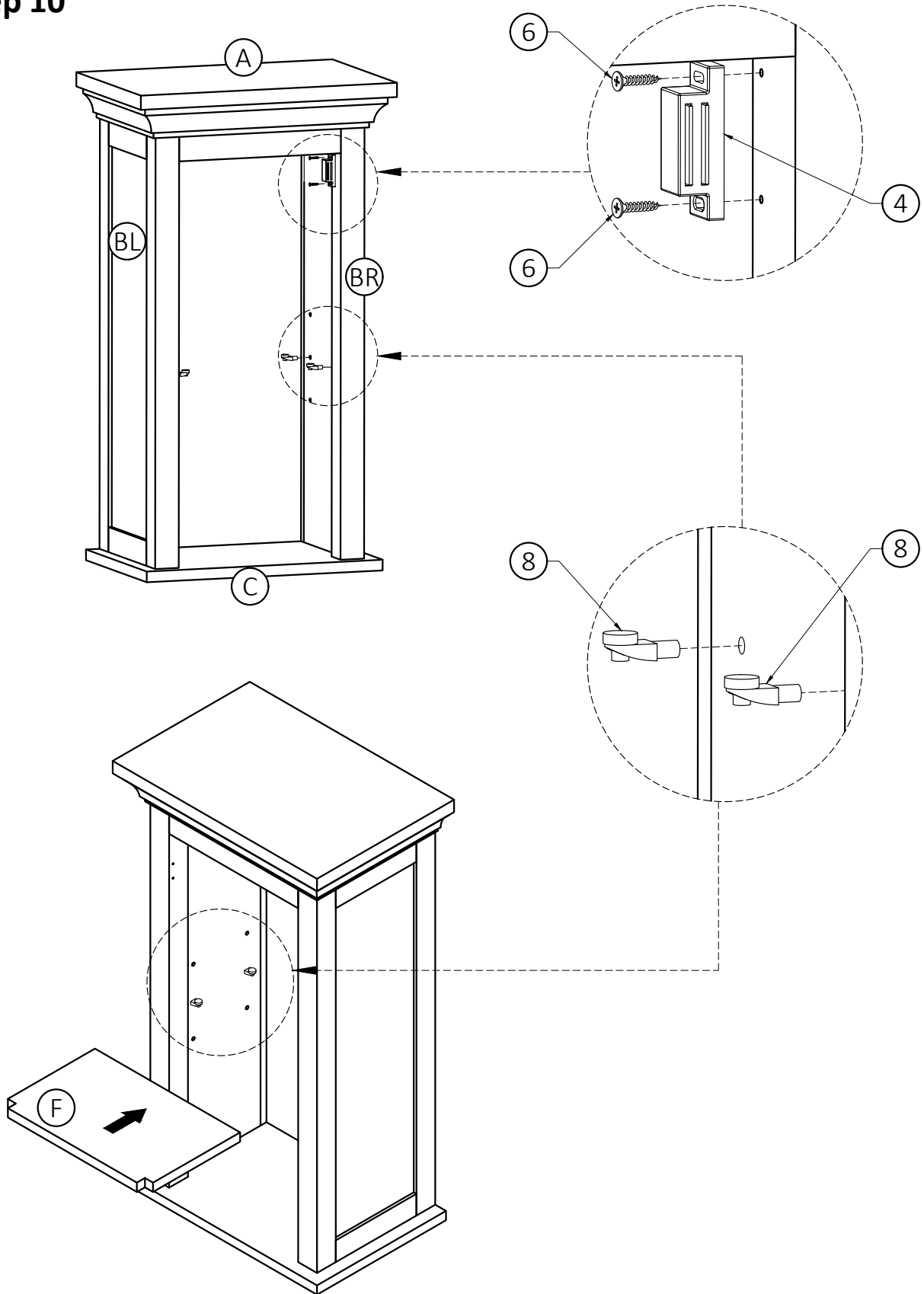
Step 9



1. Align Cam Lock Pin and Wood Dowels with guide holes on Sides (BL), (BR) and Top (A) and attach Top (A) to Sides (BL), (BR).

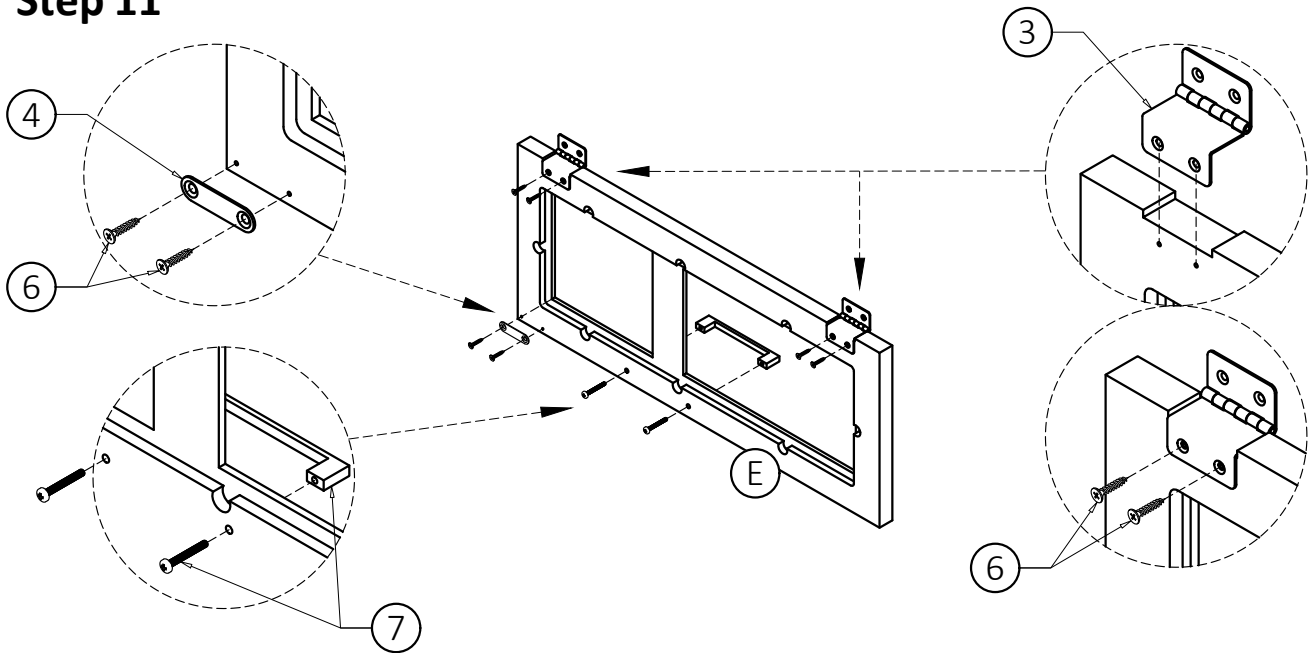


2. Insert two Cam Locks (1) into guide holes on each Side (BL), (BR).
3. Use Phillips screwdriver to secure Cam Locks.

Step 10

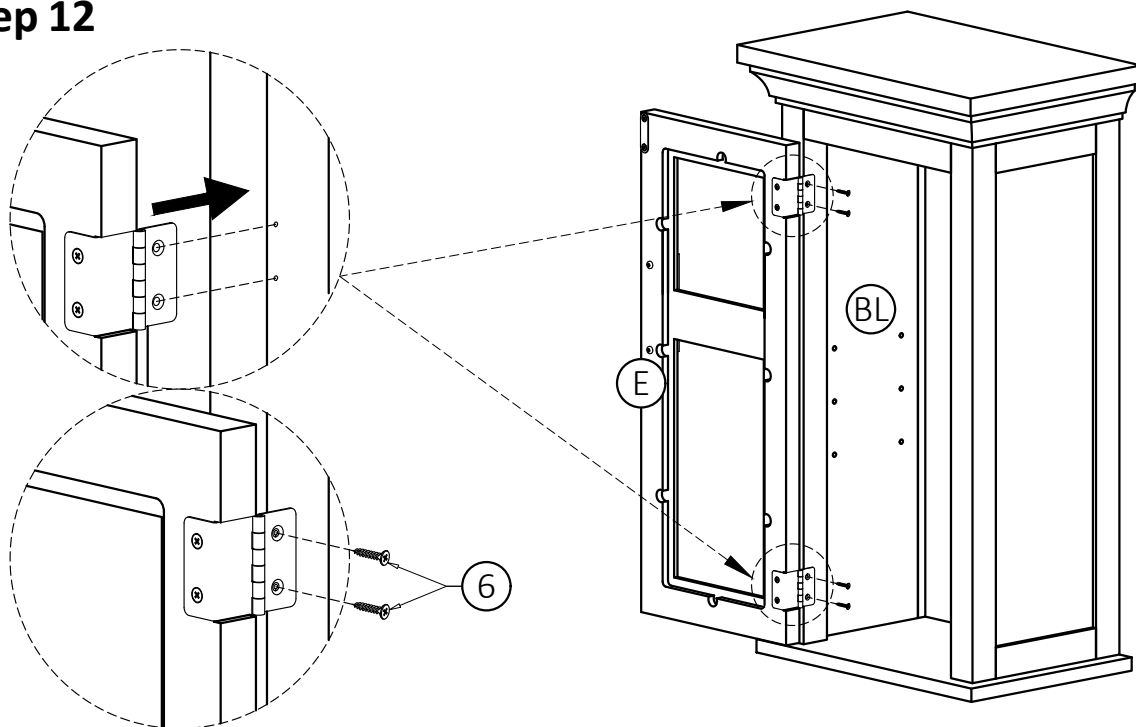
1. Attach Magnets (4) using Phillips Screws (6) into pre-drilled holes Right Side (BR).
2. Use four Shelf Supports (8) for Cabinet Shelf (F) in desired location .

Step 11



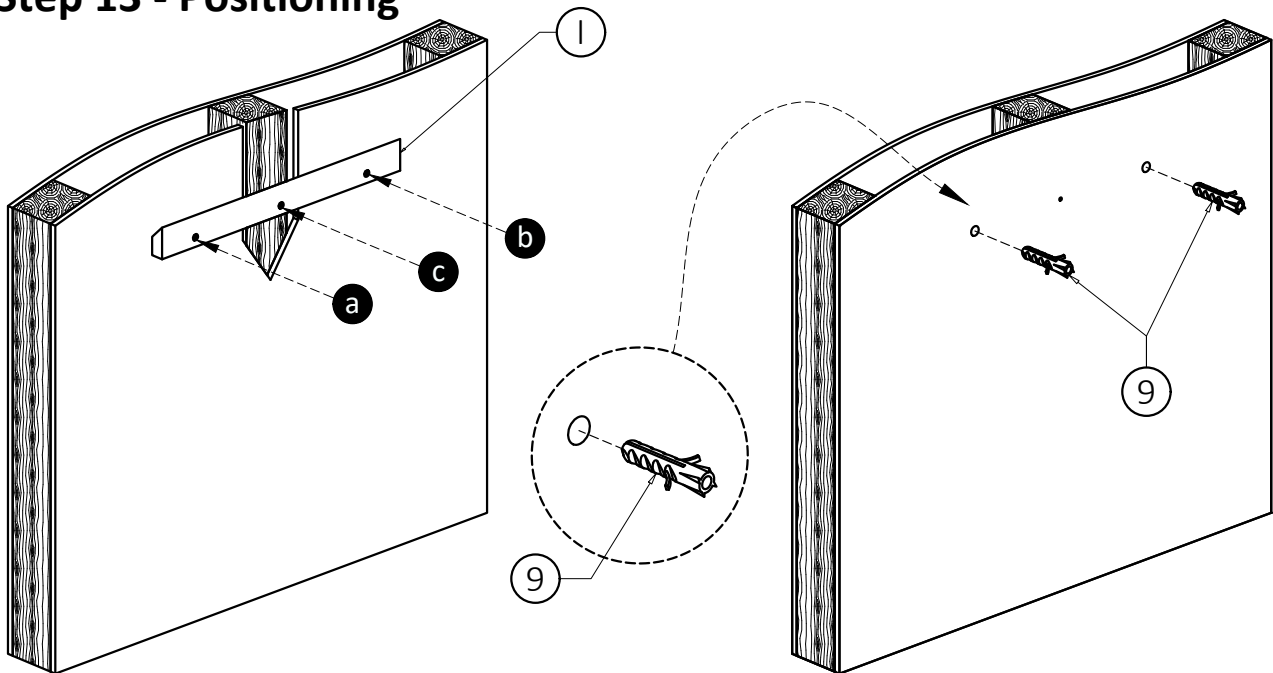
1. Attach Hinge (3) to Door (E) using Phillips Screws (6) into pre-drilled holes on Door (E).
2. Attach Magnet Plates (4) to top corner of Door (E) using Phillips Screws (6) into pre-drilled holes on Door (E).
3. Use Phillips screwdriver to attach Handle (7) to Door (E).

Step 12



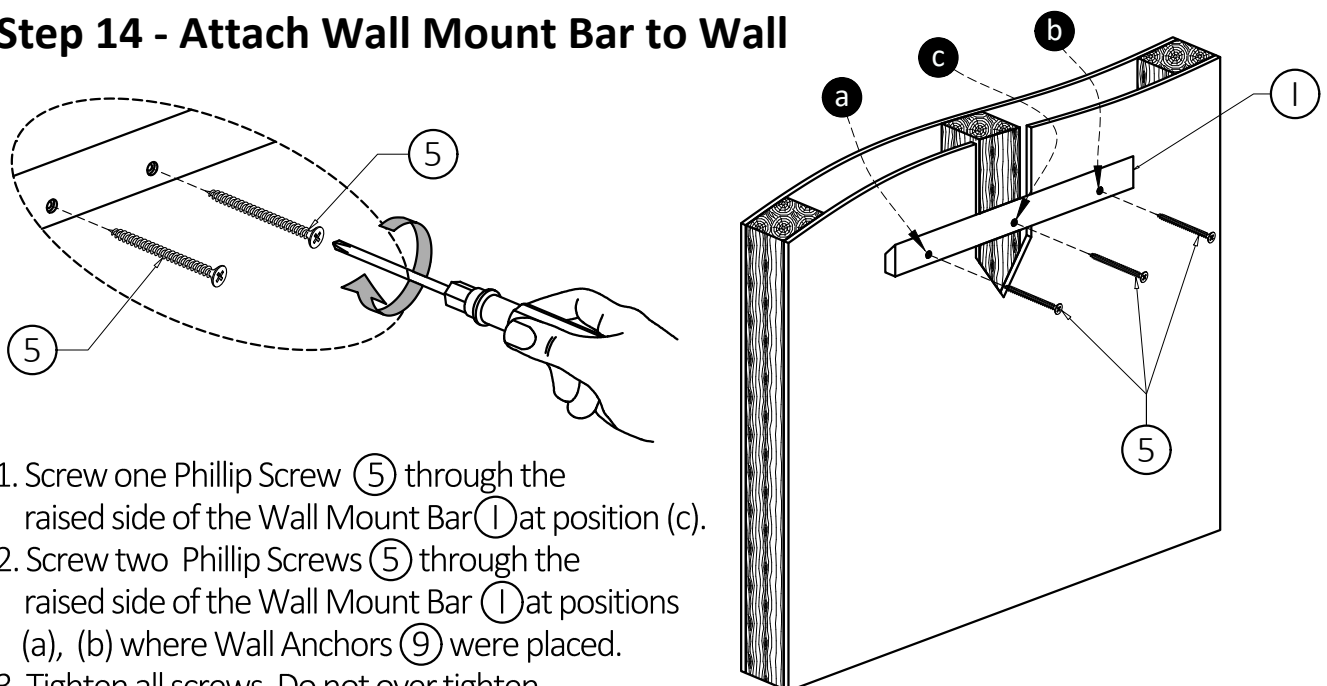
1. Attach Hinge on Door (E) to Left Side (BL) using Phillips Screws (6) into pre-drilled holes on Left Side (BL).
2. Use Phillips screwdriver to secure screws. Do not over-tighten.

Step 13 - Positioning

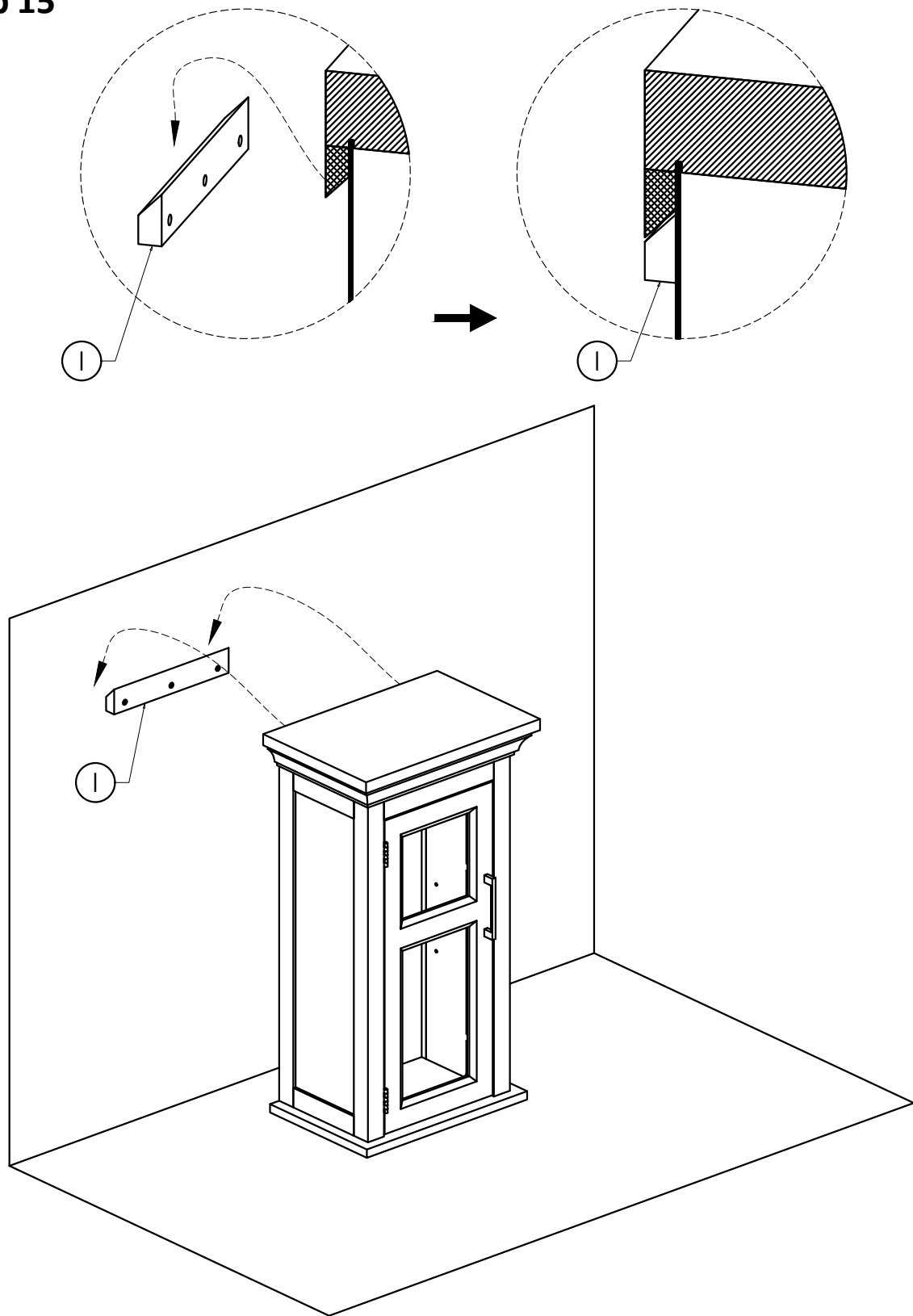


1. Determine the location for the unit on the wall. The Top (A) should be approximately 1 ¼" above the top of the Wall Mount Bar (1) when mounted.
2. Place the Wall Mount Bar (1) at the predetermined height. Use a level to ensure that it is straight. The flat side of Wall Mount Bar (1) should face outward away from the wall. Hole (c) should align with your studs. Carefully mark the position of each hole using the tip of the Phillip Screw (5).
3. Install two Wall Anchors (9) to positions (a), (b) using a Phillips screwdriver. Anchors are self-tapping and do not need pre-drilled holes.
4. Use your drill to create 1 hole 0.15" diameter x 2" deep at position (c).

Step 14 - Attach Wall Mount Bar to Wall



1. Screw one Phillip Screw (5) through the raised side of the Wall Mount Bar (1) at position (c).
2. Screw two Phillip Screws (5) through the raised side of the Wall Mount Bar (1) at positions (a), (b) where Wall Anchors (9) were placed.
3. Tighten all screws. Do not over tighten.

Step 15

1. Align the top of the Wall Mount Bar (1) with the bottom of the angled bracket on the back of the Cabinet.
2. Gently slide the Cabinet down on to the Wall Mount Bar (1).