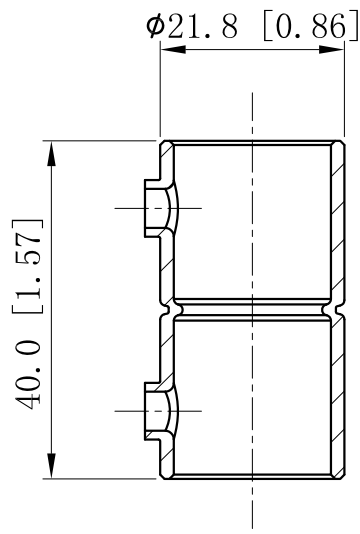
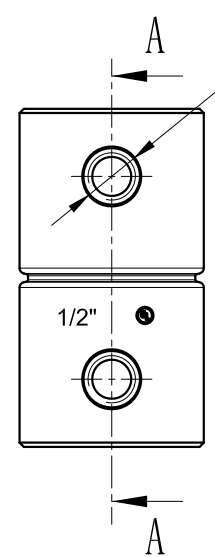


SIDES	BOTTOM
2 PCS #12-28×3/8 Screws Installed	
Material:Steel-Welding tube, zinc plated	

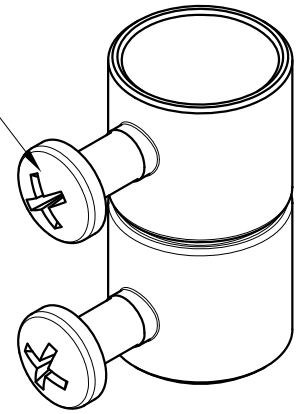


CUTAWAY VIEW A-A



2-#12-28 UNF HOLE

#12-28, × 2



DESCRIPTION
TRADE REFERENCE TERMS

STANDARD PACKING
50 PCS

This data sheet is for reference only .GARVIN INDUSTRIES reserves the right to make changes to the design without prior notice.		
GARVIN INDUSTRIES		
STEEL EMT SET SCREW COUPLINGS		
SIZE A4	DWG NO. SSCP-50	REV
DATA SHEET		