

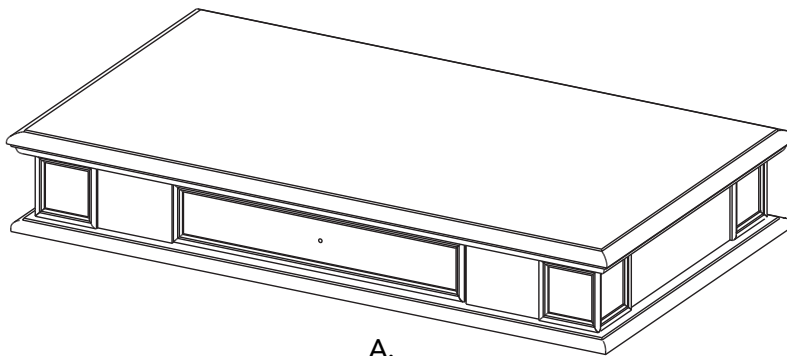
**IMPORTANT**

Carefully remove all the parts from the carton and place them individually on a soft cloth to prevent scratches or other damage.

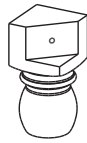
Carefully and strictly follow these assembly instructions to ensure a completed product as designed.

Do not use power tools above 8 volts to assemble.

**Part List**



A.  
Top  
1 pc.



F.  
Foot  
4 pcs.

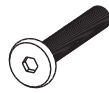
**Hardware List**



Hex Wrench  
1 pc.



Cam Lock Screw  
4 pcs. (+1 extra)



M6x35  
Head Cap Bolt  
16 pcs. (+1 extra)



Flat Washer  
4 pcs. (+1 extra)



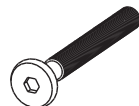
Adjustable Pin  
4 pcs. (+1 extra)



Small Hex Wrench  
1 pc.



Cam Lock  
4 pcs. (+2 extra)



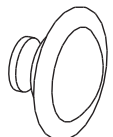
M6x50  
Head Cap Bolt (long)  
4 pcs. (+1 extra)



Spring Washer  
4 pcs. (+1 extra)

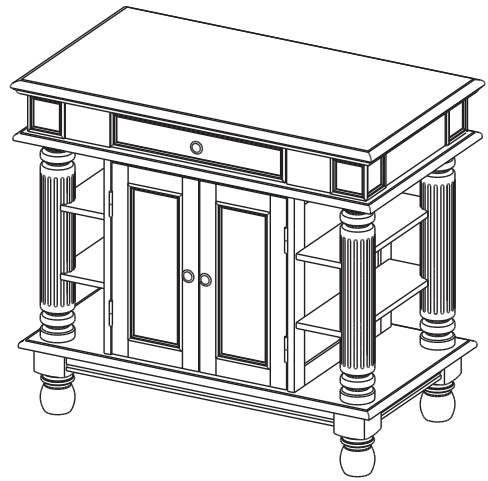


M4x20  
Machine Screw  
6 pcs.



Knob  
6 pcs.

For assembly see instructions in carton 5092-942.



**IMPORTANT**

Carefully remove all the parts from the carton and place them individually on a soft cloth to prevent scratches or other damage.

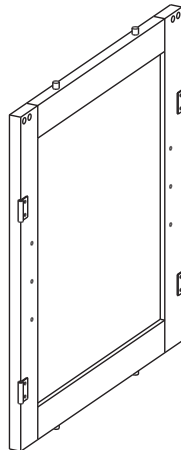
Carefully and strictly follow these assembly instructions to ensure a completed product as designed.

Do not use power tools above 8 volts to assemble.

**Part List**



B.  
Rail  
2 pcs.



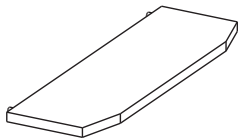
C.  
Side Panel  
2 pcs.



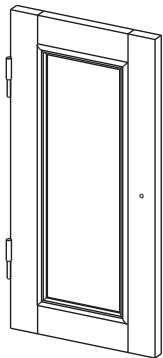
D.  
Post  
2 pcs.



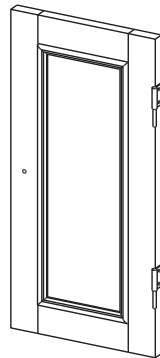
E.  
Post  
2 pcs.



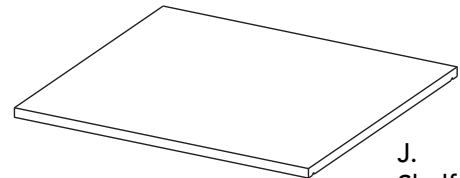
G.  
Shelf  
4 pcs.



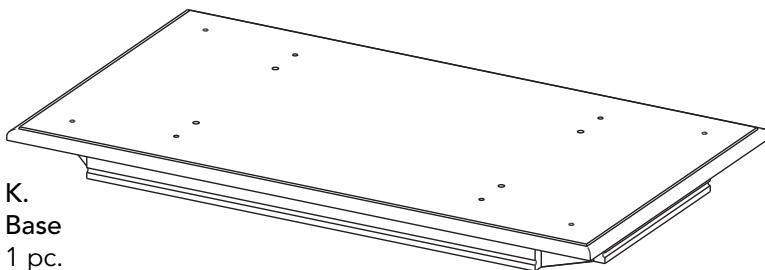
H.  
Door  
2 pcs.



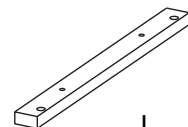
I.  
Door  
2 pcs.



J.  
Shelf  
1 pc.



K.  
Base  
1 pc.



L.  
Stretcher  
2 pcs.

Carton 5092-941 is also needed for assembly.

Tool(s) required for assembly: Phillips screwdriver, Level

homestyles Customer Service: [www.homestylesfurniture.com](http://www.homestylesfurniture.com),  
[servicedesk@homestylesfurniture.com](mailto:servicedesk@homestylesfurniture.com), 888-680-7460

## Assembly Instructions 2/6

### IMPORTANT

- Use a soft cloth between these parts and the floor.
- Do not use power tools above 8 volts to assemble.
- Do not tighten all the bolts until each part is properly assembled.
- The unit must be level to work properly. Use the included adjustable levelers to level.
- Keep Hex Wrench as the bolts may need to be tightened in future.

### STEP 1

Remove drawer from Top (A).

Attach Knobs to drawer with Machine Screws.

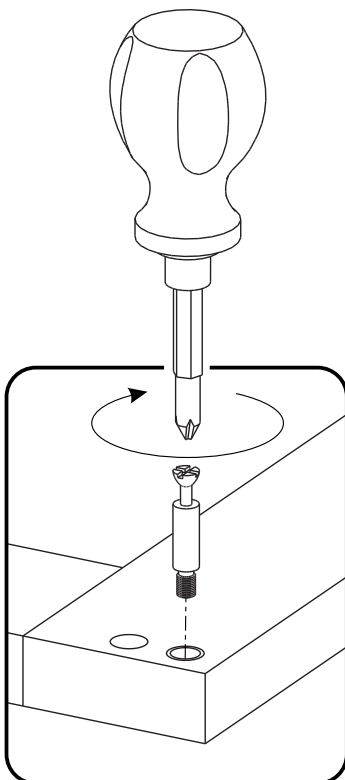
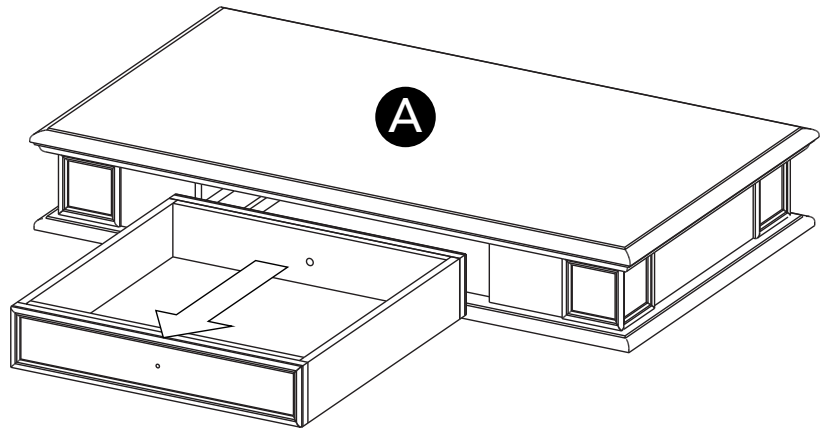
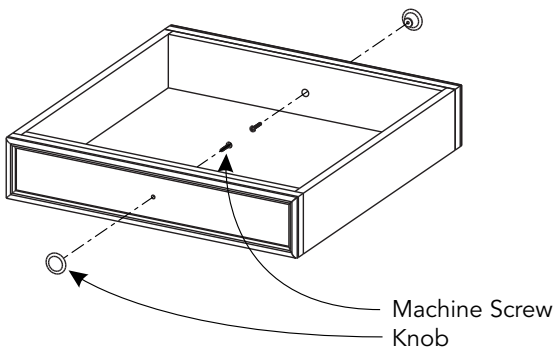
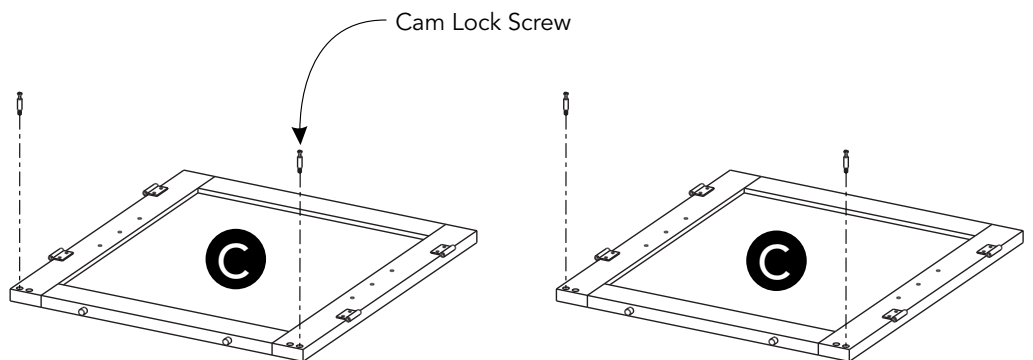


Figure 1



### STEP 2

Insert Cam Lock Screws into pre-drilled holes in Side Panels (C), then tighten. (See Figure 1)

**STEP 3**

Attach Side Panels (C) to Rails (B) with Cam Locks. (See Figure 2)

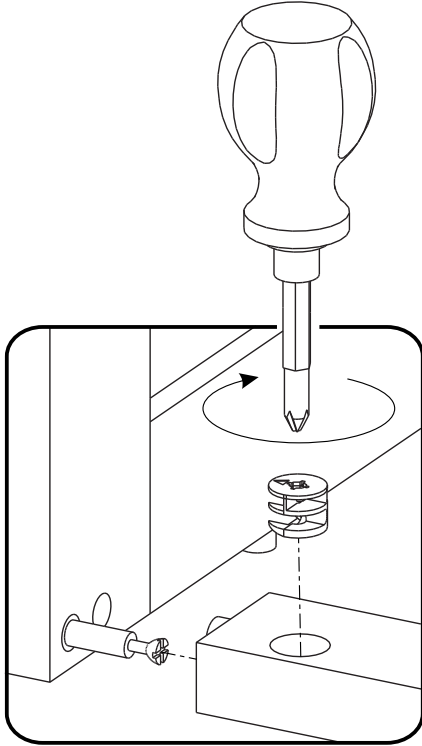
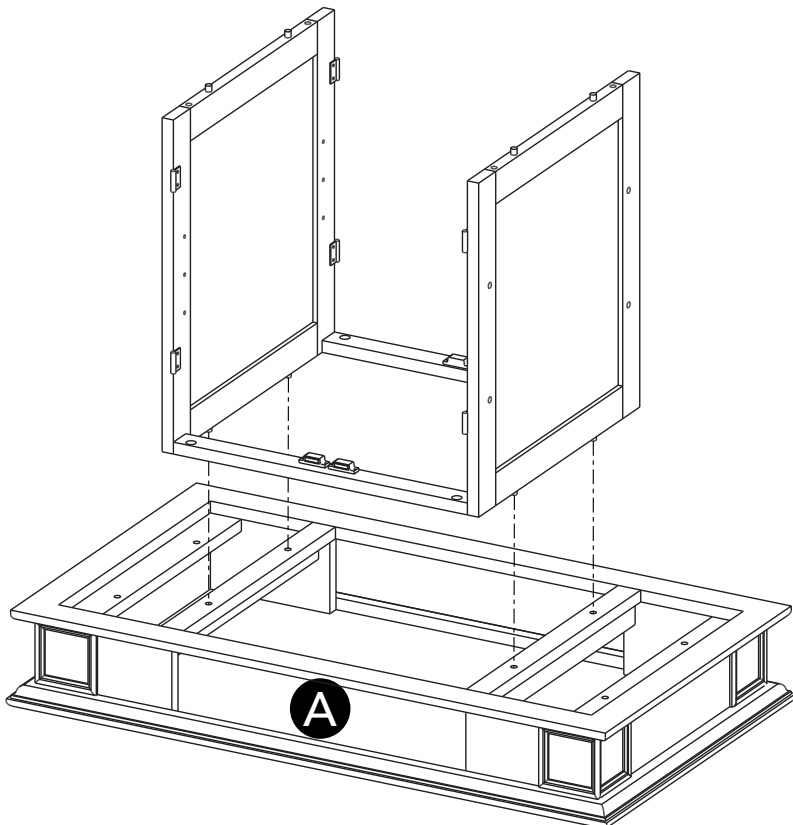
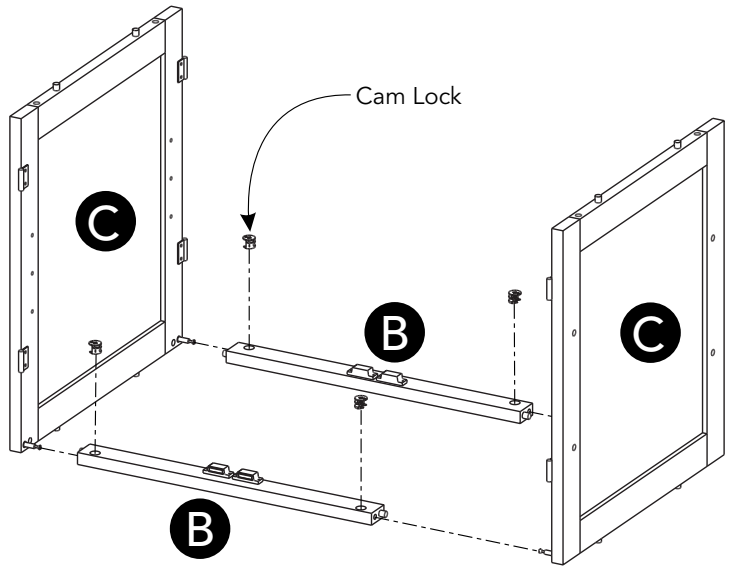


Figure 2



**STEP 4**

Place Top (A) upside down on a soft cloth.

Attach unit to Top (A).

# Assembly Instructions 4/6

## STEP 5

Orientate Stretchers (L) with Arrow labels pointing in same direction as the notches in Posts (D) and (E), then attach Stretchers (L) to Posts (D) and (E) with Head Cap Bolts. (See Figure 3)

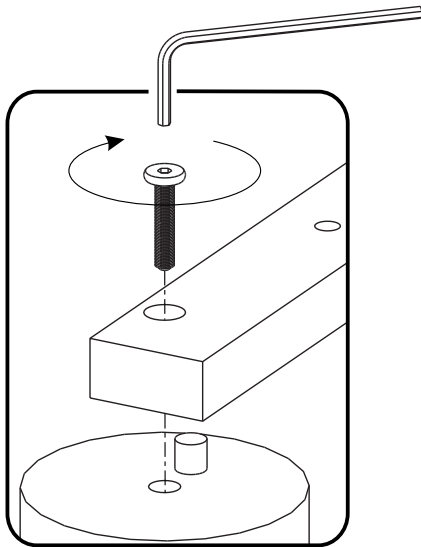
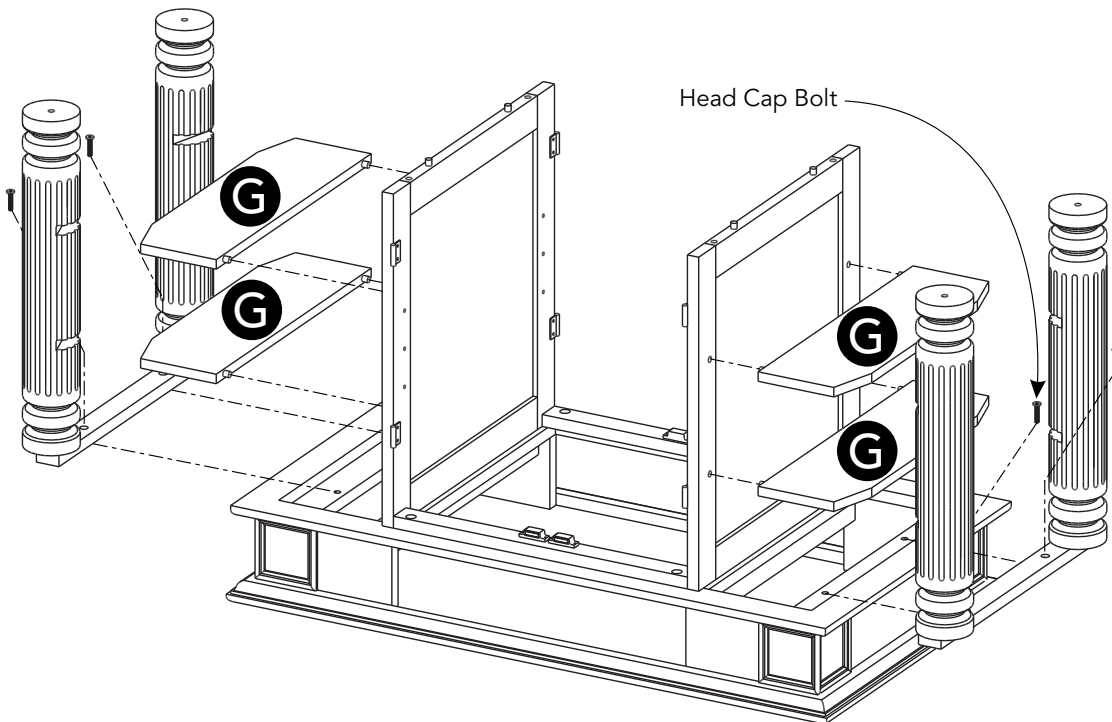
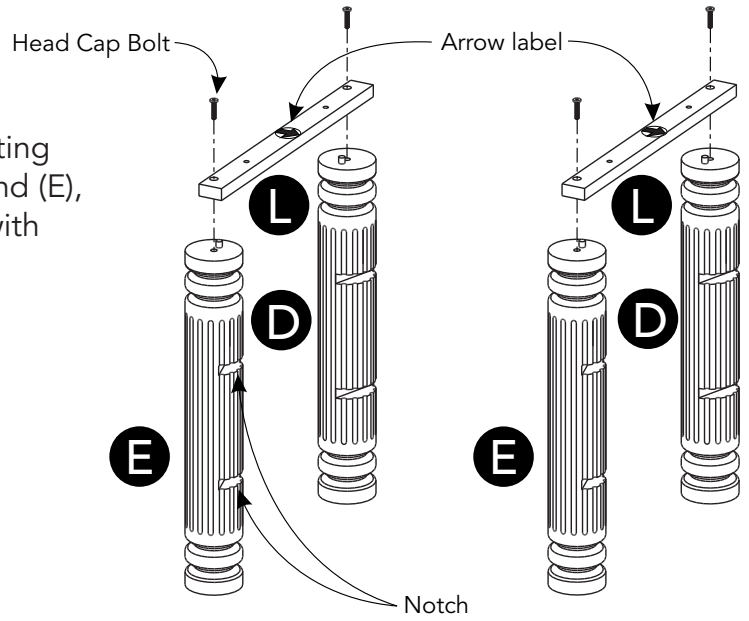


Figure 3



## STEP 6

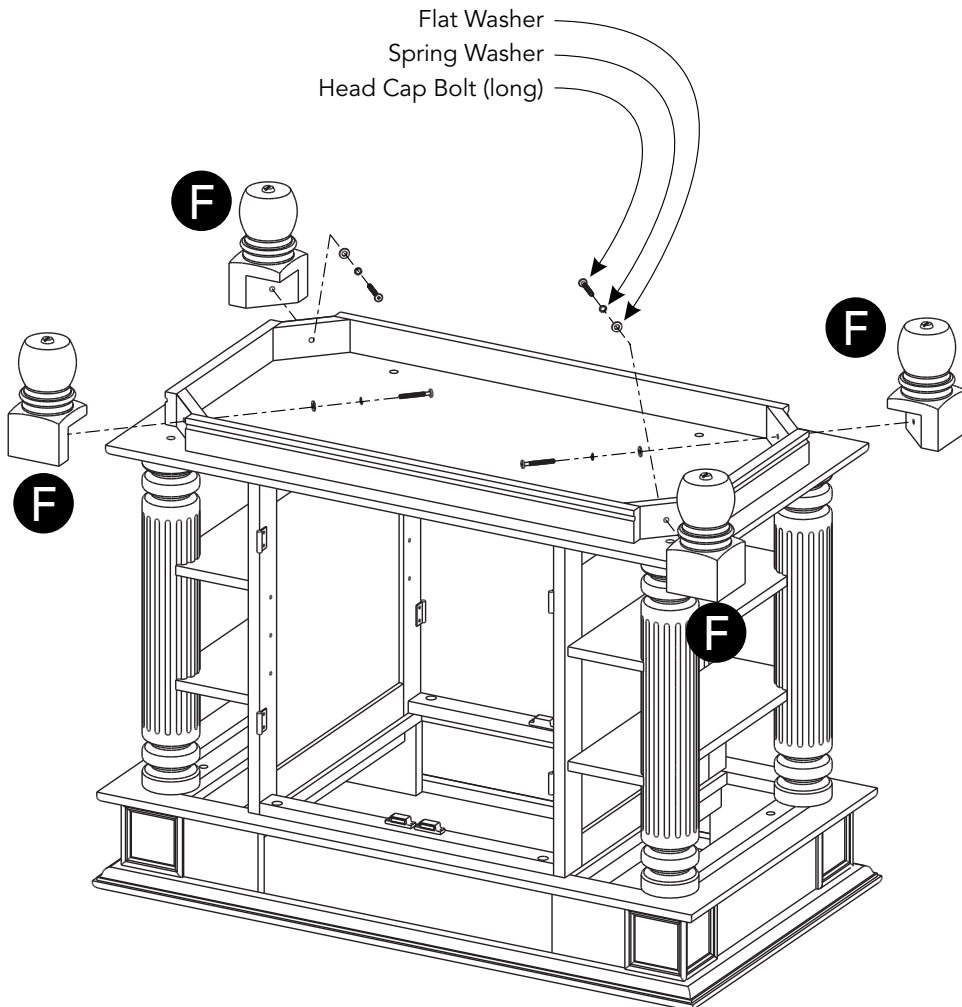
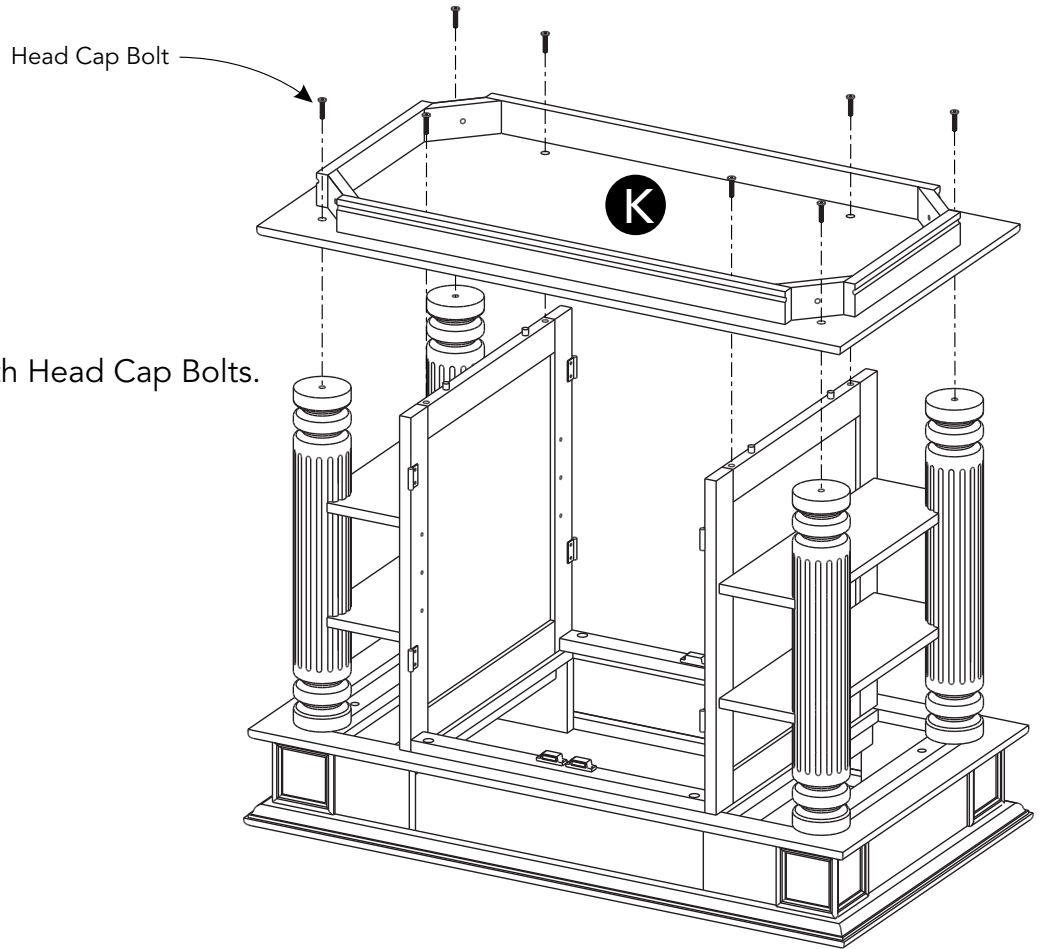
Attach Shelves (G) to unit from Step 4.

Attach units from Step 5 to unit with Head Cap Bolts.

# Assembly Instructions 5/6

## STEP 7

Attach Base (K) to unit with Head Cap Bolts.



## STEP 8

Attach Feet (F) to unit with Flat Washers, Spring Washers and Head Cap Bolts (long).  
(See Figure 4)

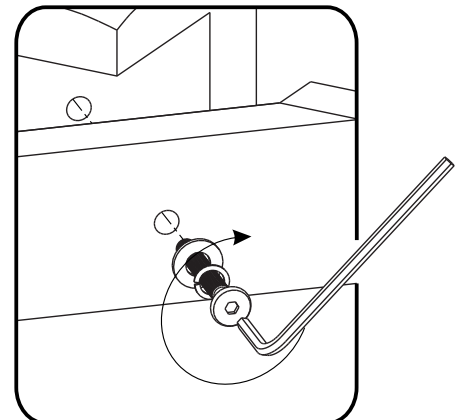
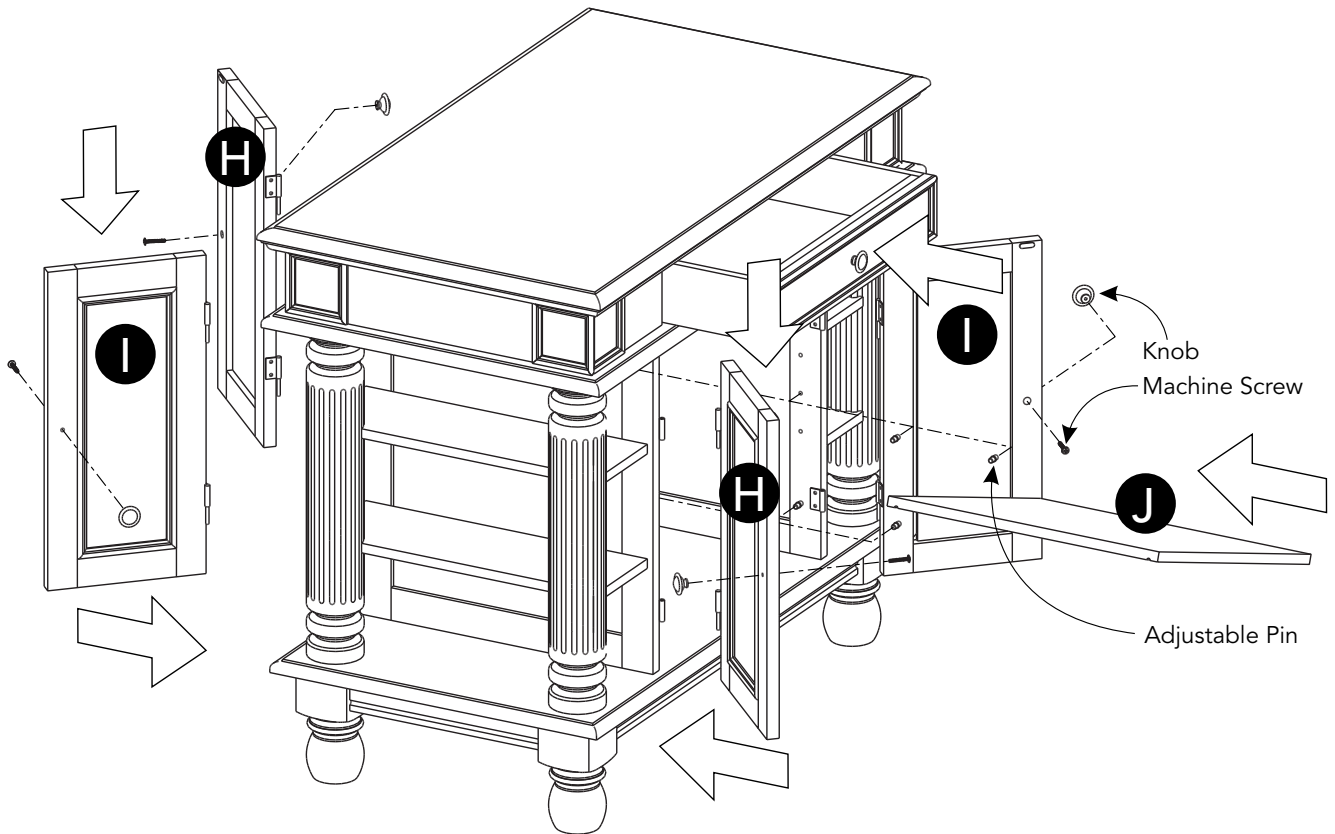


Figure 4

## Assembly Instructions 6/6



### STEP 9

Turn unit over to its upright position.

Insert Adjustable Pins into side panels at desired level.

Place Shelf (J) into position.

Attach Doors (H) and (I) to unit by sliding door hinges into side panel hinges. (See Figure 5)

Attach Knobs to Doors (H) and (I) with Machine Screws. (See Figure 6)

Slide drawer into position.

Level unit by adjusting the adjustable levelers on bottom of unit. (See Figure 7)

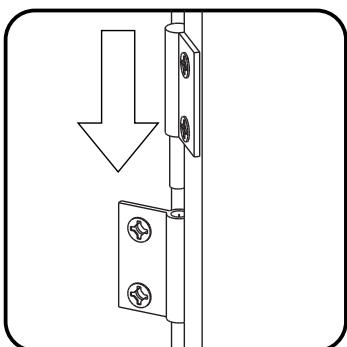


Figure 5

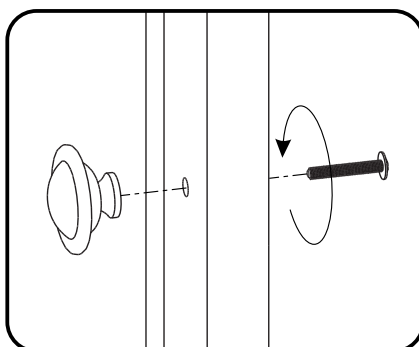


Figure 6

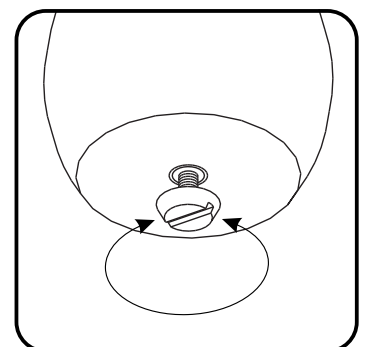


Figure 7

# CARE INSTRUCTIONS

## NEVER

allow liquids to remain on furniture.  
Absorption causes parts to warp  
and split and finishes to delaminate.

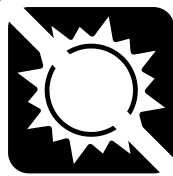
## NEVER

use glass cleaners on  
finished furniture. Ammonia  
chemically attacks the finish.



Do not use power tools  
above 8 volts to assemble.

**PREVENT  
CRACKING**



Do not place  
in direct sunlight.

**PREVENT  
FADING**



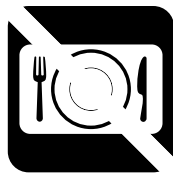
Do not write  
directly on surface.

**PREVENT  
MARKING**



Do not place hot  
objects on surface.

**PREVENT  
FINISH DAMAGE**



Do not use rubber  
based placemats.

**PREVENT  
DISCOLORING**



Do not use commercial  
waxes and polishes.

**PREVENT  
YELLOWING**

## CLEAN

with a soft cloth moistened  
in lukewarm soap and water.  
Buff with a dry clean cloth.



**homestyles** will provide replacements free of charge for missing or damaged parts within 30 days of purchase. Digital images of the defective parts may be required. If the product was not purchased from an authorized retailer, **homestyles** is under no obligation to provide replacement parts. Parts are not available for fully assembled items nor are parts available for sale. Replacements for missing or damaged parts may be requested via contact info below.

**homestyles** Customer Service: [www.homestylesfurniture.com](http://www.homestylesfurniture.com),  
[servicedesk@homestylesfurniture.com](mailto:servicedesk@homestylesfurniture.com), 888-680-7460