

## VICTORIA

### LEVER HANDLE TRIM

# 3-323

### Features

---

Solid brass construction  
Complements Complements Victoria product series  
Lever Handle is ADA compliant when used with Newport Brass valves  
Intended for use with: Bidets - Balanced Pressure Shower - Roman Tub Faucets -  
Shower Control Valves and Diverters - Wide Spread Faucets - Wall Mounted Faucets

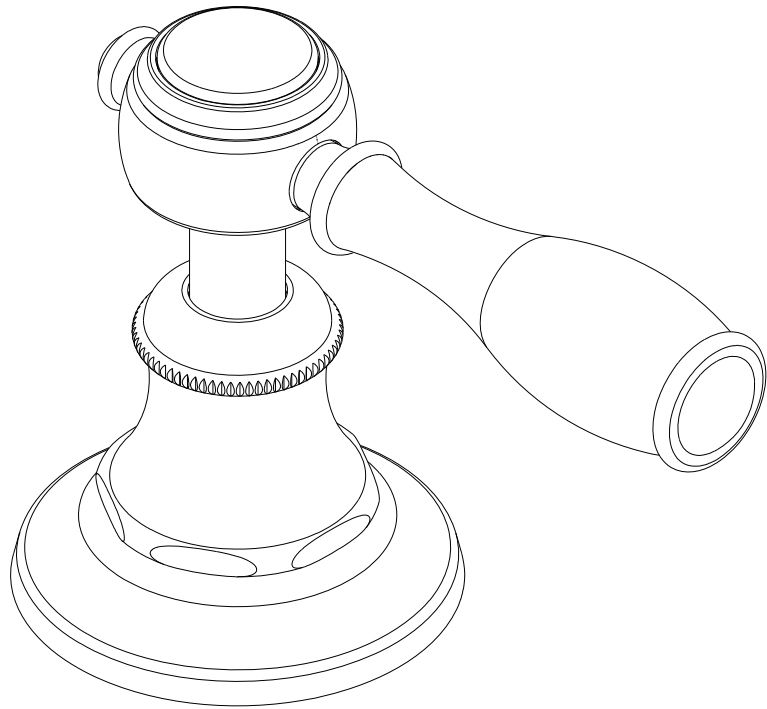
Note: Also intended for use as a replacement Cross Handle Trim assembly for deck  
and wall-mounted faucets, tubs and bidets.

### Codes / Standards Compliance

Meets or exceeds the following at date of manufacture:

---

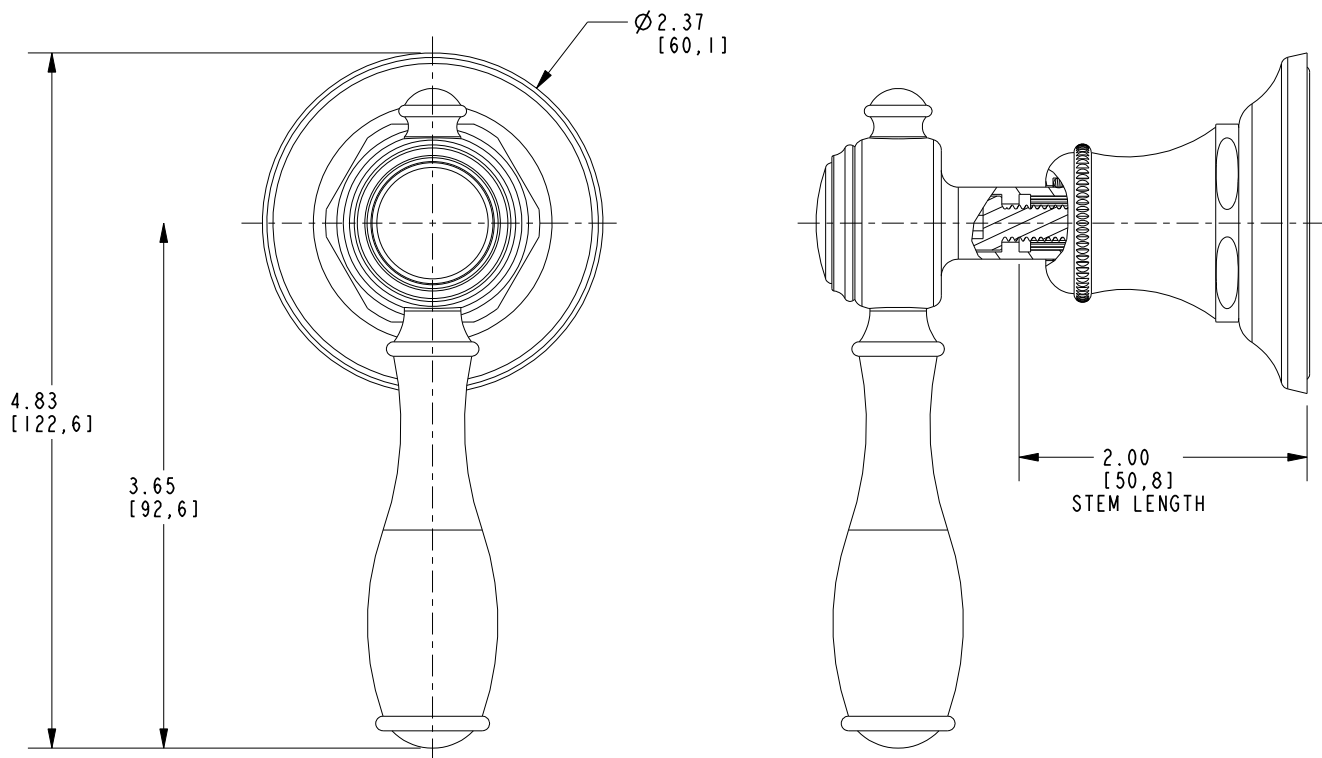
All applicable US Federal and State material regulations



# 3-323

## PRODUCT DIMENSIONS *(Units are in inches)*

Product Dimensions are provided for reference only. For specific product installation guidelines, please reference the Installation Instructions of the product being installed.



LEVER HANDLE TRIM

**3-323**

Page 2 of 2  
EN- 4989  
REV G

**NEWPORT BRASS**  
Flawless Beauty. From Faucet to Finish.

t: 949.417.5207 | [www.newportbrass.com](http://www.newportbrass.com)  
©2025 NewportBrass