

ASSEMBLY INSTRUCTION








ITEM: 7050-75200-02 Leg Dining Table w/1-22in leaf
7050-75200-89 Leg Dining Table w/1-22in leaf

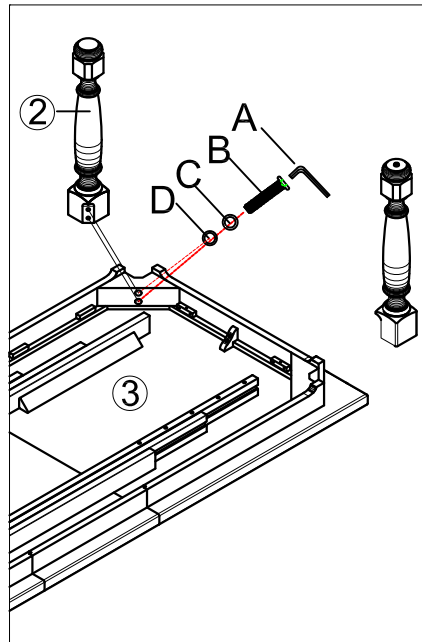
Thank you for purchasing this quality product. Be sure to unpack carefully looking for small parts which may have come loose during shipment.

Read all instruction and study the drawing carefully before starting the assembly process.

HARDWARE PACK

PART LIST

NO.	DRAWING	DESCRIPTION	SIZE	Q'TY	NO.	DRAWING	DESCRIPTION	Q'TY
A		Allen Wrench	5mm	1pc	①		Leaf	1PC
B		Bolt	5/16"	8pcs	②		Leg	4PCS
C		Lock Washer	5/16"	8pcs	③		Table Top	1PC
D		Flat Washer	5/16"	8pcs				



Step 1: Attach legs (2) to table top (3) by using bolts (B), lock washers (C), flat washers (D) and tighten with allen wrench (A) in clockwise direction.

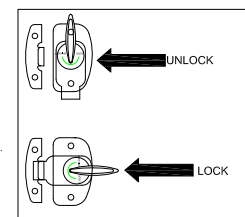
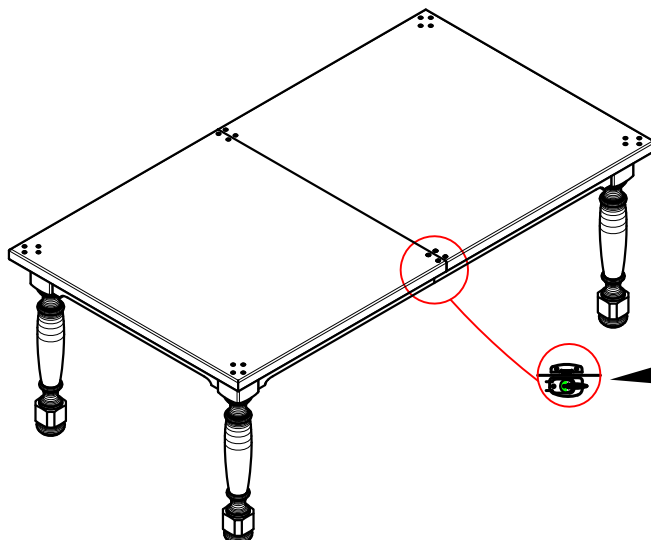


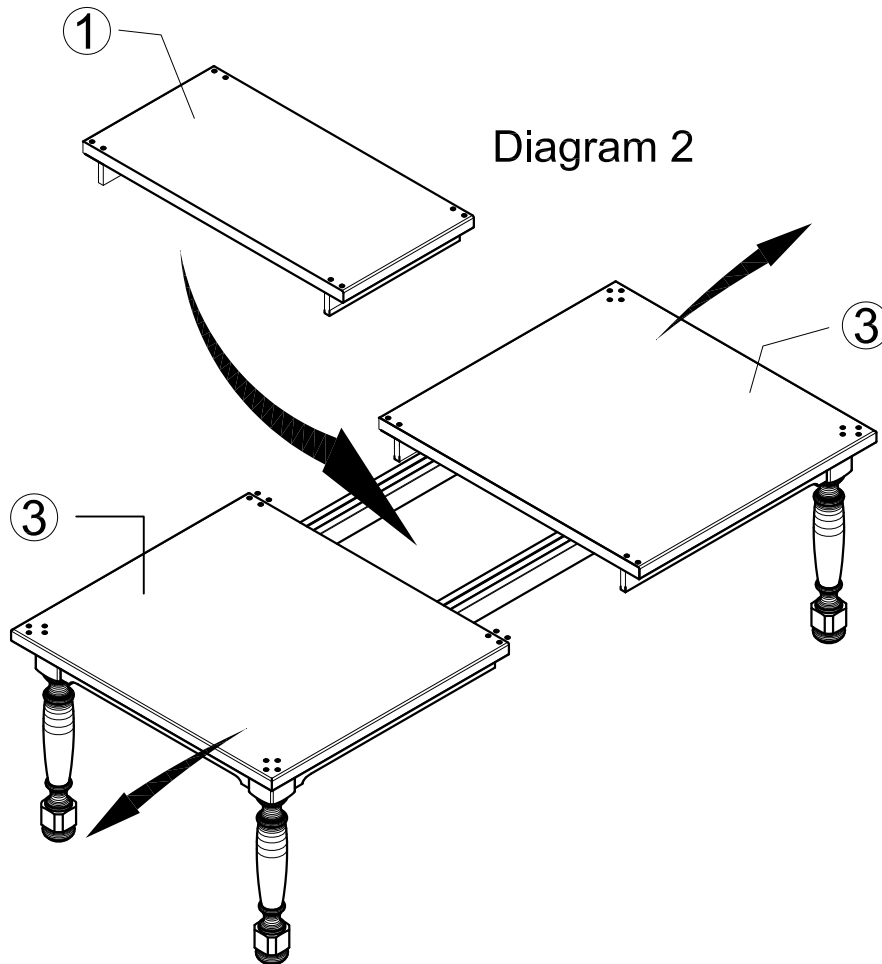
Diagram 1

ASSEMBLY INSTRUCTION

ITEM: 7050-75200-02 Leg Dining Table w/1-22in leaf
7050-75200-89 Leg Dining Table w/1-22in leaf

Thank you for purchasing this quality product. Be sure to unpack carefully looking for small parts which may have come loose during shipment.

Read all instruction and study the drawing carefully before starting the assembly process.



Instruction for table leaves:

1. There are latches at the bottom of table top, unlock the latches as shown in Diagram 1 above.
2. Pull out table top as the arrow direction shown in Diagram 2.
3. Place table leaf (1) between table tops and push table tops together.
4. Lock the latches (See Diagram 1).
5. Take opposite actions to remove table leaf.