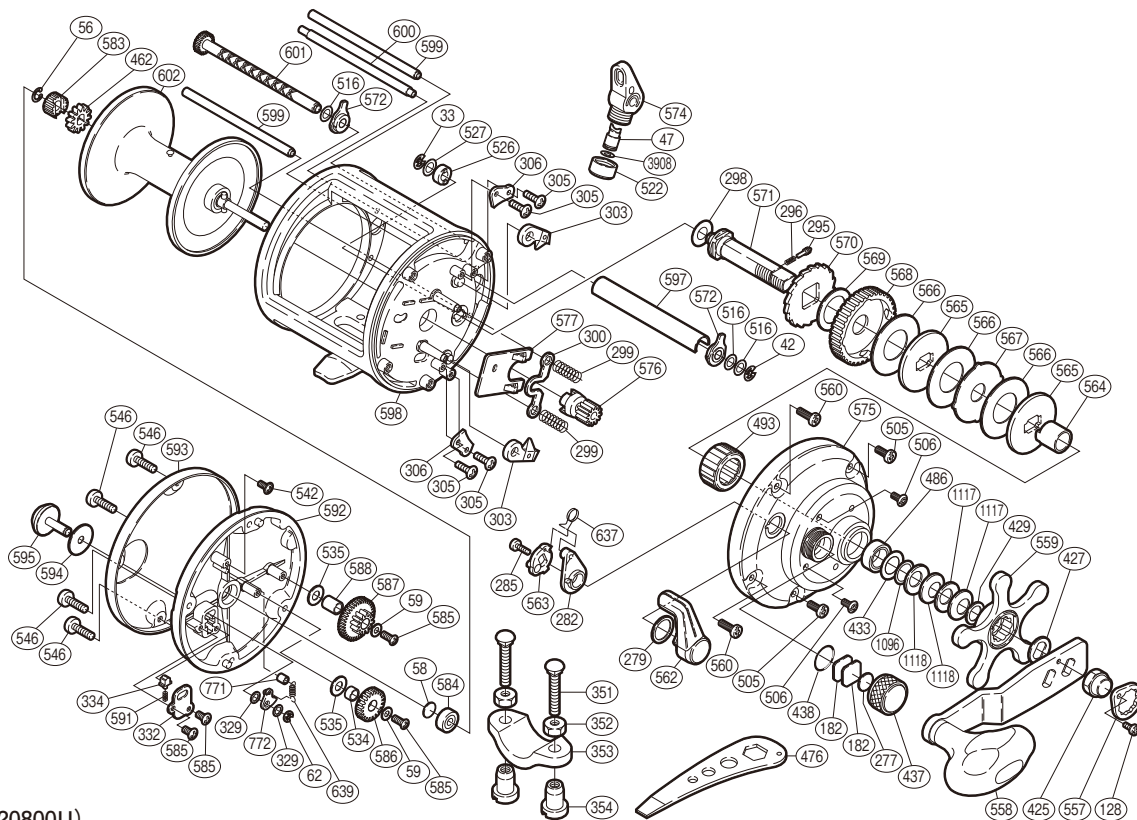


SHIMANO

TEKOTA

TEK-800



(51RJ220800U)

#	Part No.	Description	#	Part No.	Description	#	Part No.	Description
33	105NG	Drive Shaft Retainer	493	10F5B	Roller Clutch Bearing	585	103DH	Multi-Purpose Screw
42	105NE	Worm Shaft Retainer	505	10LZ5	Right Side Plate Screw (C)	586	10NXH	Idle Gear B
47	10FJ9	Line Guide Pawl	506	10LF9	Right Side Plate Screw (B)	587	10NXL	Idle Gear D
56	105SA	Idle Gear A Retainer	516	10HV6	Worm Shaft Spacer	588	10NXN	Idle Gear D Support
58	10GEU	Spacer B	522	10FJP	Pawl Cap	591	104MU	Click Spring
59	104H5	Lock Washer	526	10BPW	Drive Shaft Bushing	592	10503	Left Side Plate
62	105NK	Click Pawl Retainer	527	10D66	Drive Shaft Washer (A)	593	10NV5	Left Side Plate Cover
128	10QG0	Handle Nut Plate Screw	534	10NXJ	Idle Gear B Support	594	1054L	Spacer (A)
182	105N0	Cast Control Spacer (A)	535	10G4P	Spacer A	595	1050K	Click Button
277	10896	Cast Control Spacer (B)	542	10K8T	Click Pawl Spring Screw	597	10HW0	Level Wind Guard
279	10JYS	Smoother	546	10L9T	Left Side Plate Screw	598	10K8C	One-Piece Frame
282	10L29	Eccentric Cam Bushing	557	10LME	Handle Nut Plate	599	10HXA	Stabilizer Bar A
285	10F8M	Clutch Lever Screw	558	10B1S	Handle Assembly	600	10BKV	Stabilizer Bar B
295	109ZZ	Click Pin	559	10HMT	Star Drag	601	10KC7	Worm Shaft
296	10HZ5	Click Spring	560	10M6Z	Right Side Plate Screw (A)	602	10TX3	Spool Assembly
298	10588	Drive Shaft Washer (B)	562	10LYU	Clutch Lever	637	10LYH	Clutch Spring
299	104BY	Yoke Spring	563	10HMC	Clutch Cam	639	10NRR	Click Pawl Spring
300	10481	Yoke	564	10MB0	Roller Clutch Inner Tube	771	10549	Click Pawl Spring Boss Ring
303	10MWB	Anti-Reverse Pawl	565	109F2	Key Washer	772	10LER	Click Pawl
305	103CK	Anti-Reverse Pawl Screw	566	10KZT	Drag Washer (B)	1096	10HWS	Washer
306	10KNW	Anti-Reverse Pawl Keeper	567	10LNC	Eared Washer	1117	109PG	Drag Spring Washer (10l)
329	109RC	Spacer (B)	568	109DJ	Drive Gear	1118	109L9	Drag Spring Washer (10h)
332	104B6	Click Spring Retainer	569	109SS	Drag Washer (A)	3908	10TZF	Spacer
334	104B8	Click Spring Holder	570	109BH	Anti-Reverse Ratchet			
425	10FT6	Handle Nut	571	10995	Drive Shaft	351	10A7A	Rod Clamp Bolt (accessory)
427	107QX	Drive Shaft Shield	572	10HT4	Worm Bushing	352	105N9	Rod Clamp Nut B (accessory)
429	10J1R	Star Drag Washer	574	10KCR	Line Guide	353	10AR5	Rod Clamp (accessory)
433	105U6	Bearing Seal	575	10HKB	Right Side Plate	354	1046P	Rod Clamp Nut A (accessory)
437	10KTE	Cast Control Cap	576	10AHP	Pinion Gear			
438	108WK	O Ring	577	10P95	Yoke Plate	476	10MJ5	Wrench (accessory)
462	104F2	Click Gear	583	10AQC	Idle Gear A			
486	10KX6	Ball Bearing	584	105C8	Ball Bearing			

Please note that the number of adjusting washers may not be the same as shown in the exploded views.
(Adjustment will vary with each individual product.)

(240625)_002