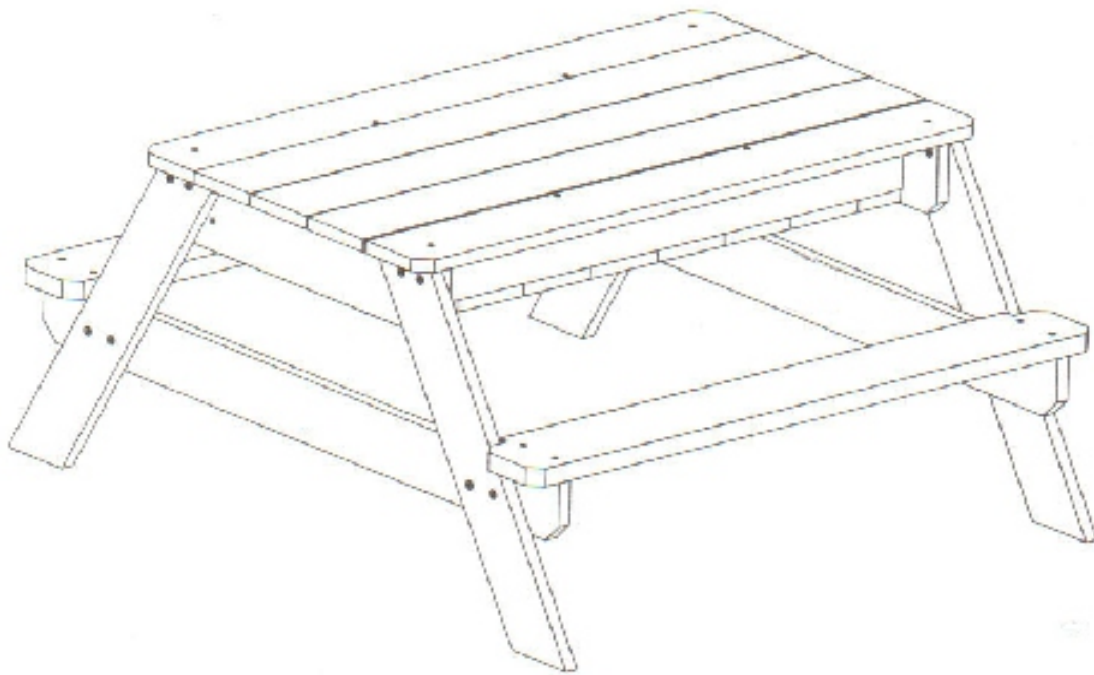




The mark of  
responsible forestry

# WOODEN SAND & PICNIC TABLE



## ASSEMBLY INSTRUCTIONS

**Assembly requires 1 adult  
(approx. 1 hour assembly time)**

Warning! For outdoor domestic use only.  
Adult supervision recommended at all times.  
Not suitable for children under 36 months until fully  
assembled – Small parts – Choking hazard.  
Min. User Age: 18 months. Max. User Weight: 50Kg.



## Advisory Section

To ensure the safety of you, the installer and your children, it is important that these instructions are read fully before commencing the positioning and installation of this product.

### Keep your sandpit safe for the children

1. Always cover the sand when not in use, to prevent unwanted animals from playing in the sand.
2. Regularly check sand for impurities and any other sharp objects that may cause harm to children, including at the beginning of the season.
3. Use washed play sand suitable for use in children's sand pits.
4. Regularly change the sand to ensure that there is no build up of mould and to ensure that the play area is hygienic.
5. In windy and adverse weather conditions place the product in a safe area. In these conditions the product may become a hazard.

## Timber Advice

This product has been made from premium timber. Great care has been taken in selecting, treating and machining the timber before it is presented to you. Timber is a natural product and as such may experience changes throughout the course of its life. This means it may:

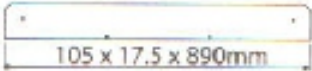
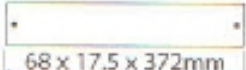
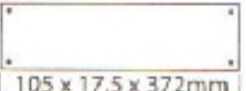
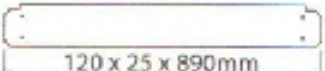
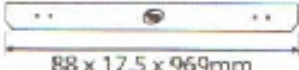
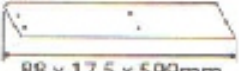
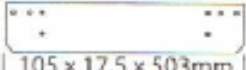
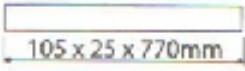




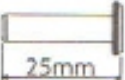


- Develop openings (gaps, slits, apertures, cracks, splits) along the line of the grain. These openings are due to the difference in moisture content between the internal and outer surfaces of the timber. This is to be expected, is totally acceptable and will not affect the integral strength, life or guarantee of the product.
- Warp and distort its shape. Any distortion will be slight and will not affect the safety or enjoyment of this product.
- Fade as the timber reacts with sunlight. The timber should be treated with a proprietary product to act as a protective barrier, i.e. a water repellent, on an annual basis.
- After first year of service treat product with a good quality treatment safe for children's use.

## Routine Maintenance

It is advised that on a regular basis (i.e. at the beginning of the season and monthly thereafter) all main parts/ fixings are checked as secure, well oiled (if metallic), have no sharp points/edges and are intact. Replace, oil and/or tighten when necessary. Failure to do so may result in an injury or hazard.

Fabric Parts are shower-proof only.

# PARTS LIST

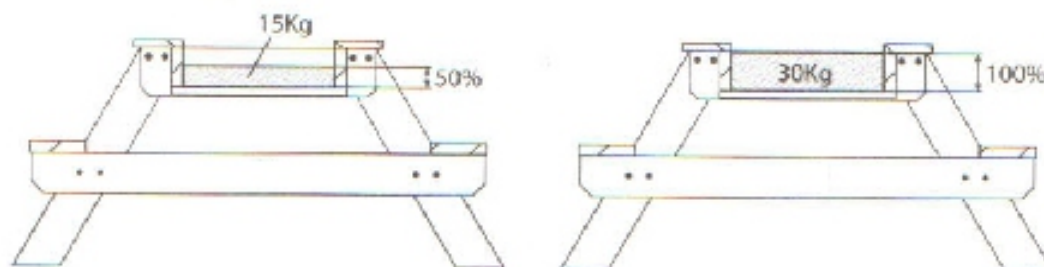
PART ID	DIMENSIONS WITH GRAPHIC	QUANTITY
D1530	 105 x 17.5 x 890mm	2
D1531	 68 x 17.5 x 372mm	2
D1532	 105 x 17.5 x 372mm	6
D1533	 120 x 25 x 890mm	2
D1534	 88 x 17.5 x 969mm	2
D1535	 88 x 17.5 x 599mm	4
D1536	 105 x 17.5 x 503mm	2
D1538	 105 x 25 x 770mm	2
D1539		1
D1541		1
M4x35mm	 35mm	36
M4x50mm	 50mm	16
SH:M6x25mm	 25mm	16
SH: M6x15mm	 15mm	16
ALLEN KEY		2

TOOLS  
REQUIRED:

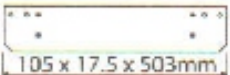
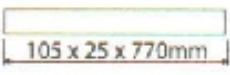



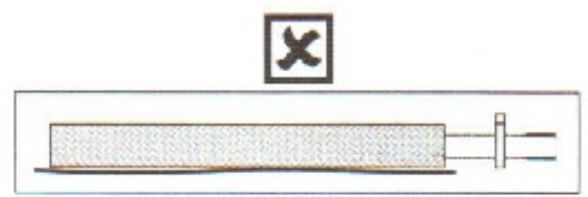
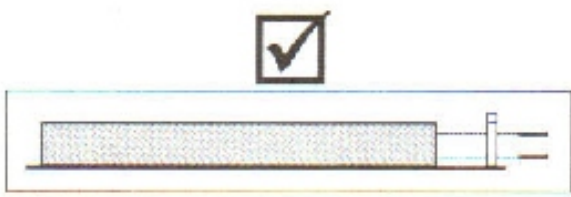
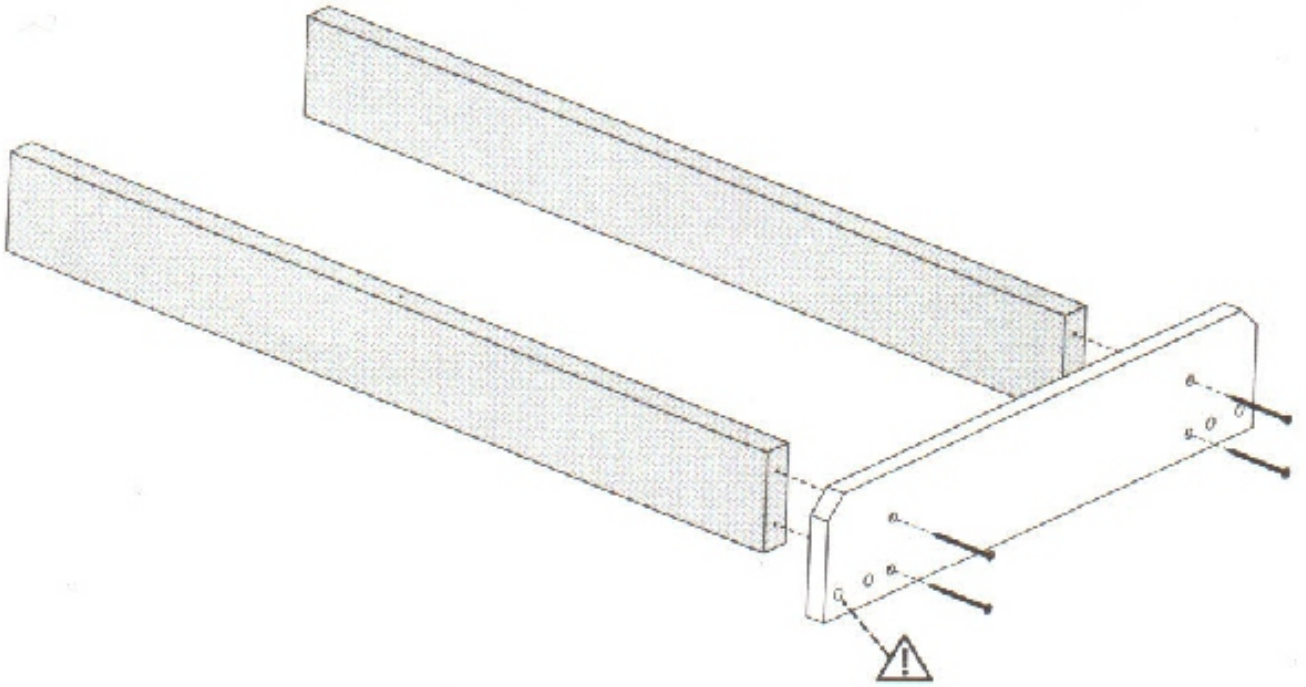
POZI  
(PZ2)

Sand not included:

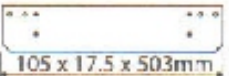



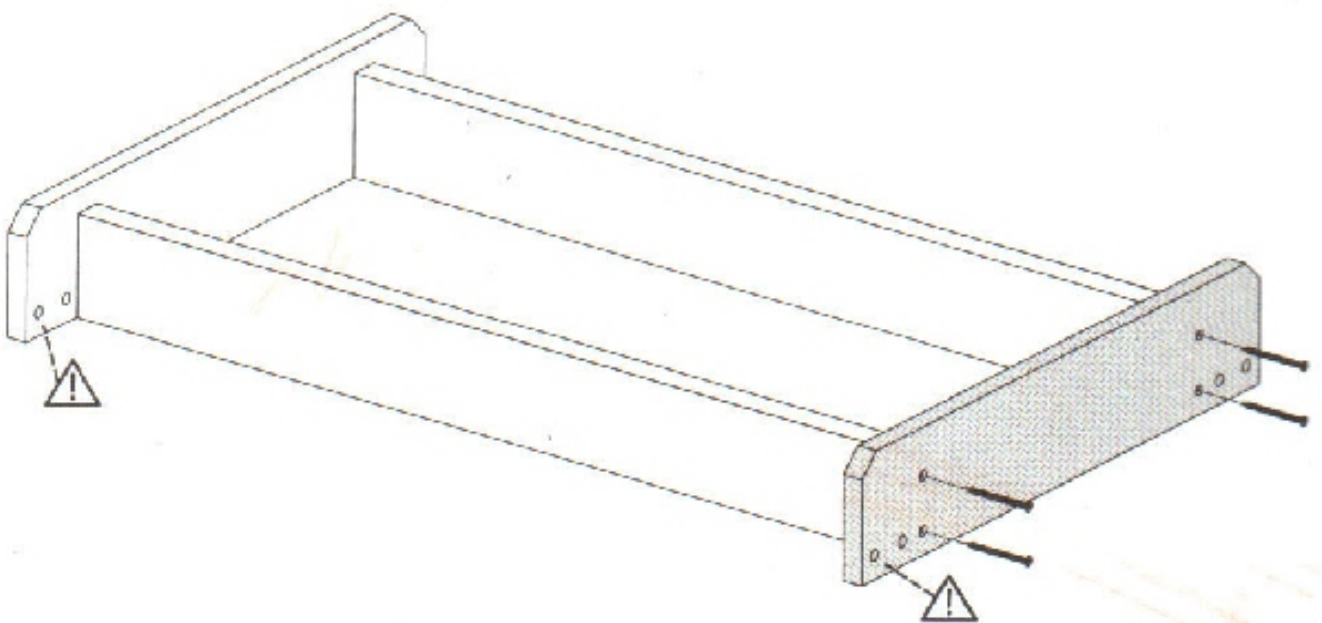
1

D1536  x1 D1538  x2 M4x50mm  x4



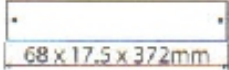

2

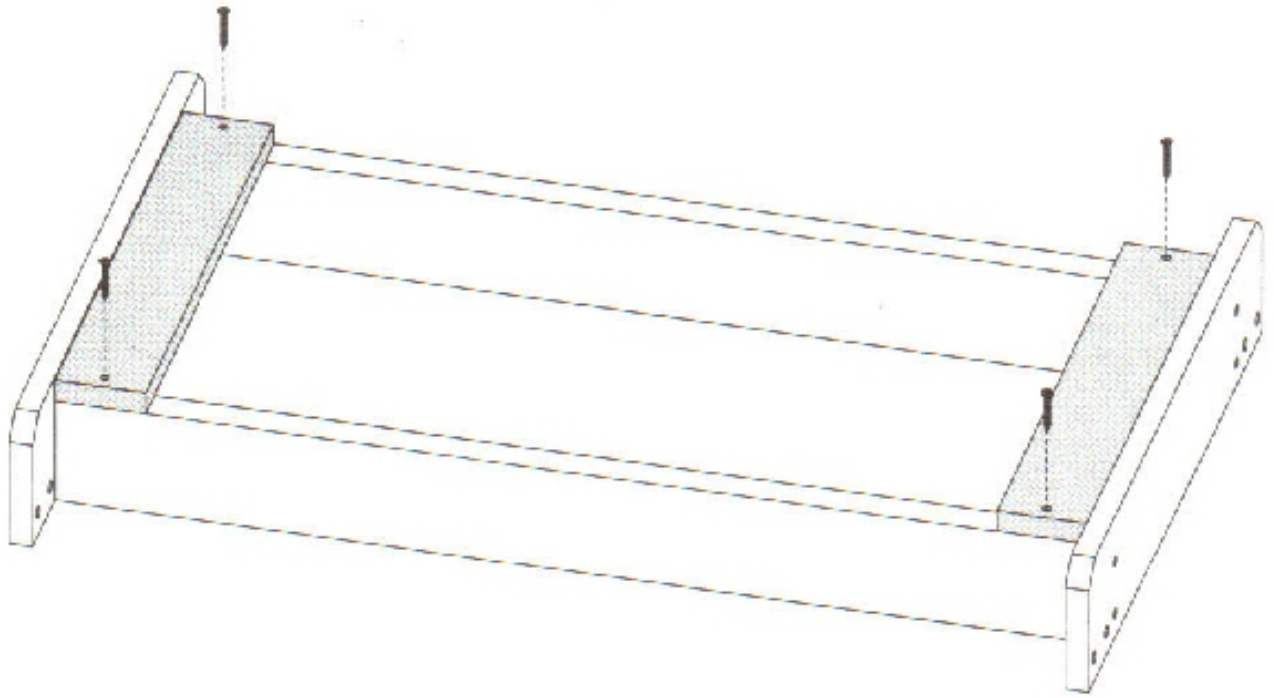
D1536  x1 M4x50mm  x4



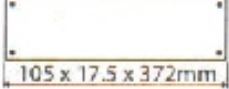



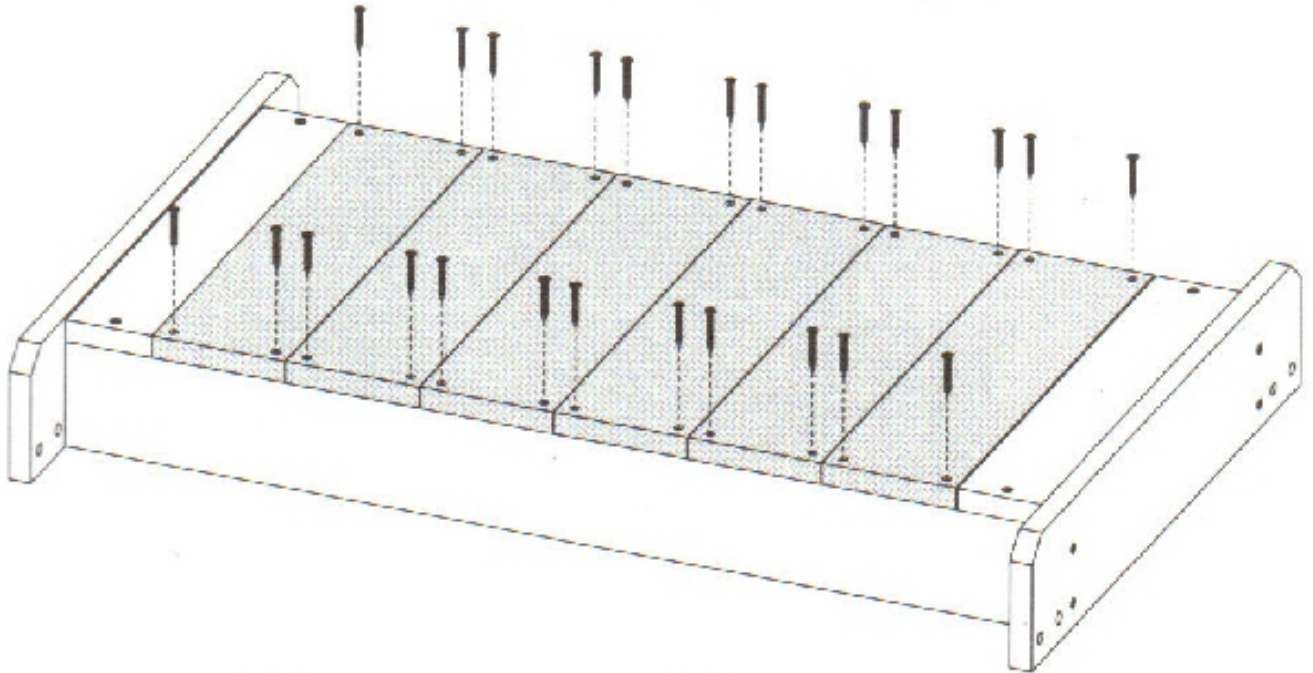
3

D1531  x2 M4x35mm  x4

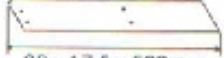


4

D1532  x6 M4x35mm  x24



5

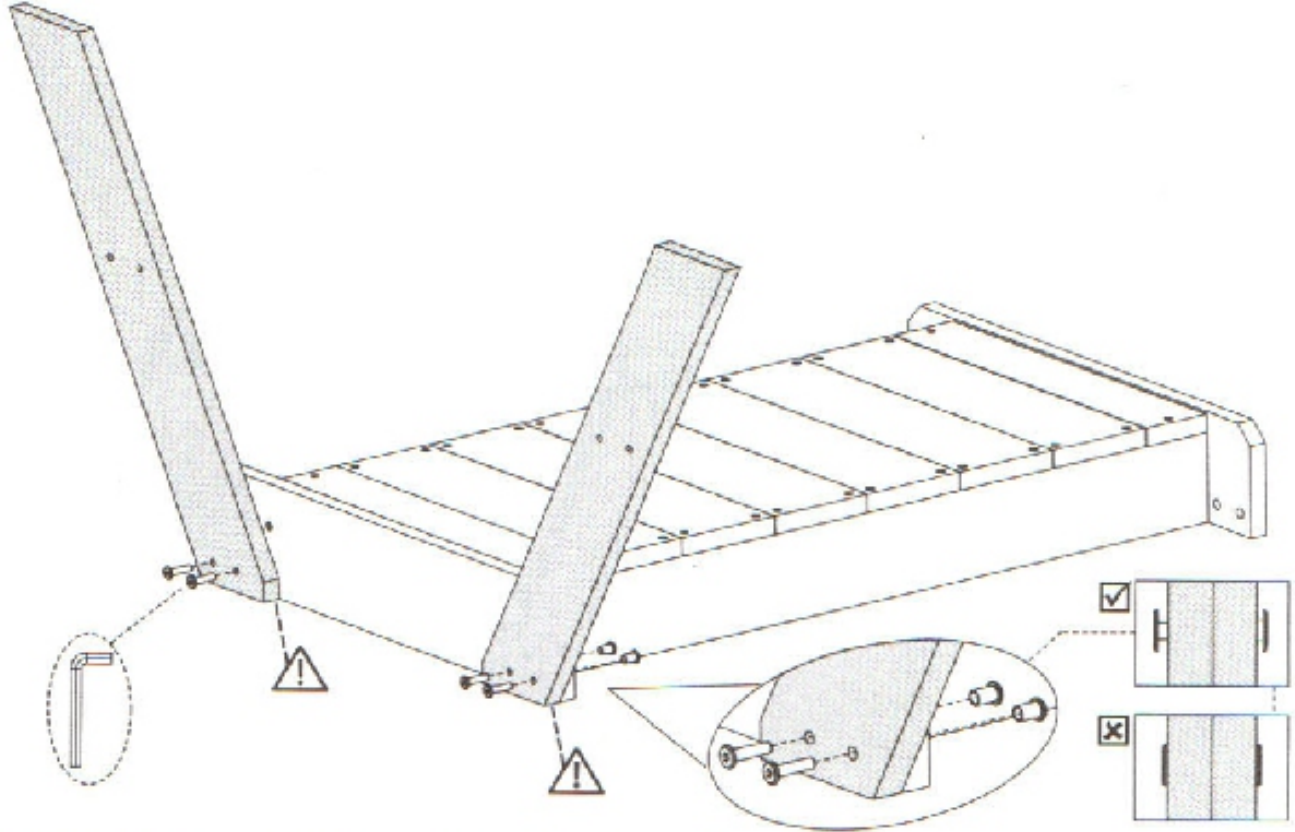
D1535  x2  
88 x 17.5 x 599mm

SH: M6x25mm


 x4  
25mm

SH: M6x15mm

 x4  
15mm



6

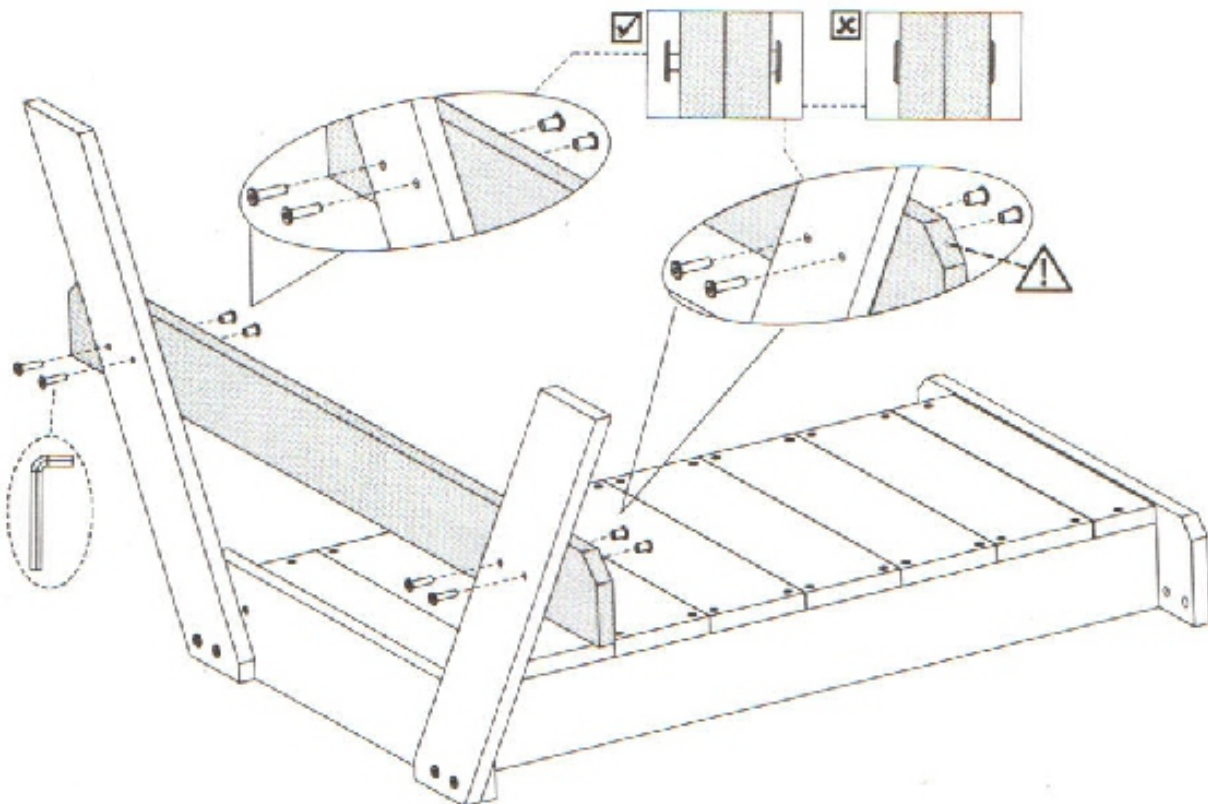
D1534  x1  
88 x 17.5 x 969mm

SH: M6x25mm

 x4  
25mm

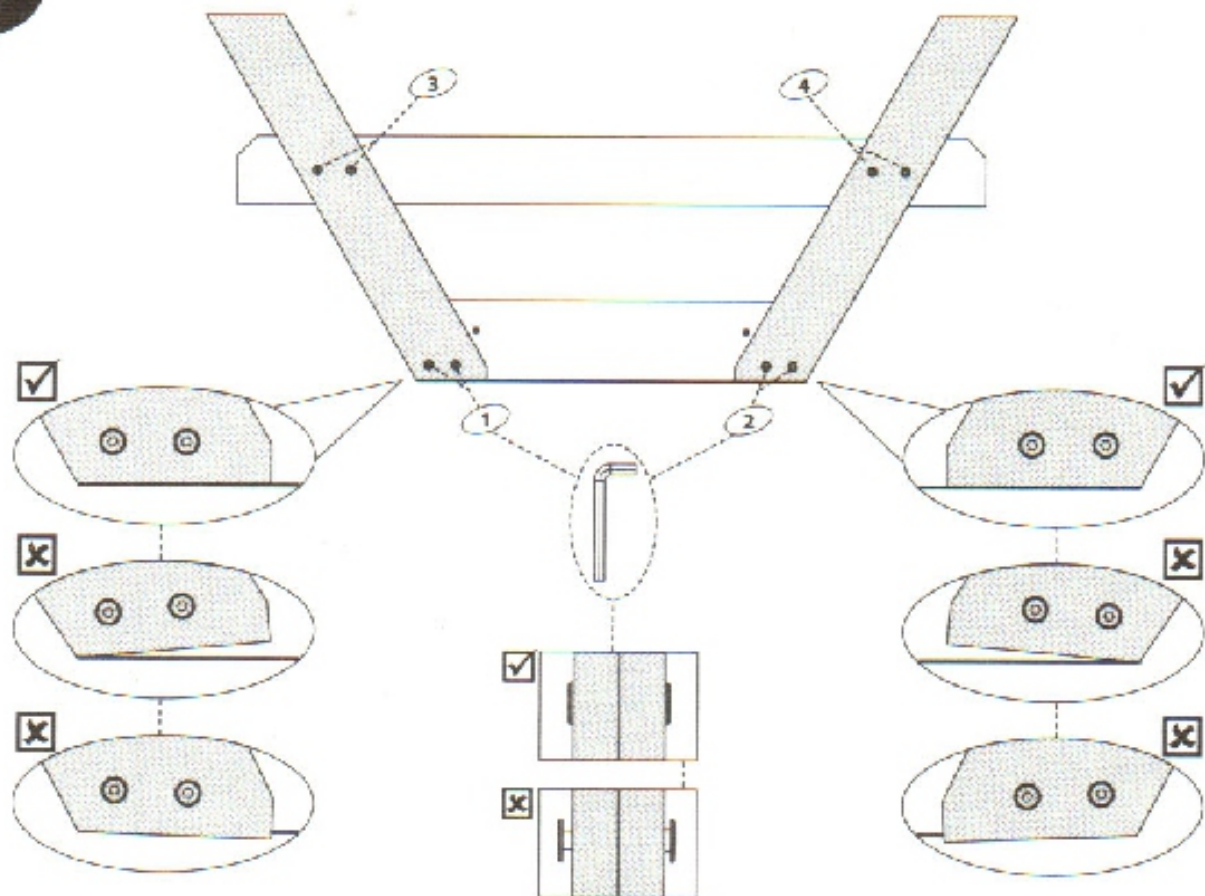
SH: M6x15mm

 x4  
15mm



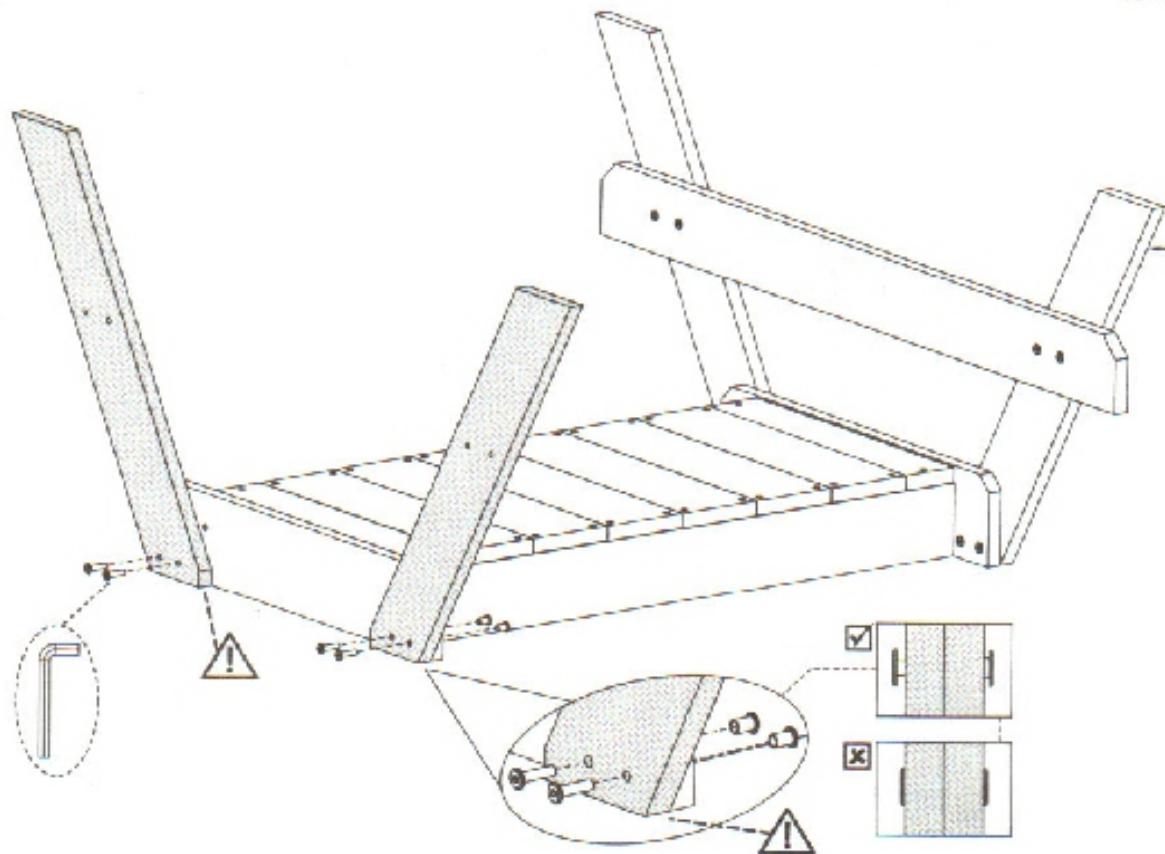


7




8

D1535  x2 SH:M6x25mm  x4 SH:M6x15mm  x4

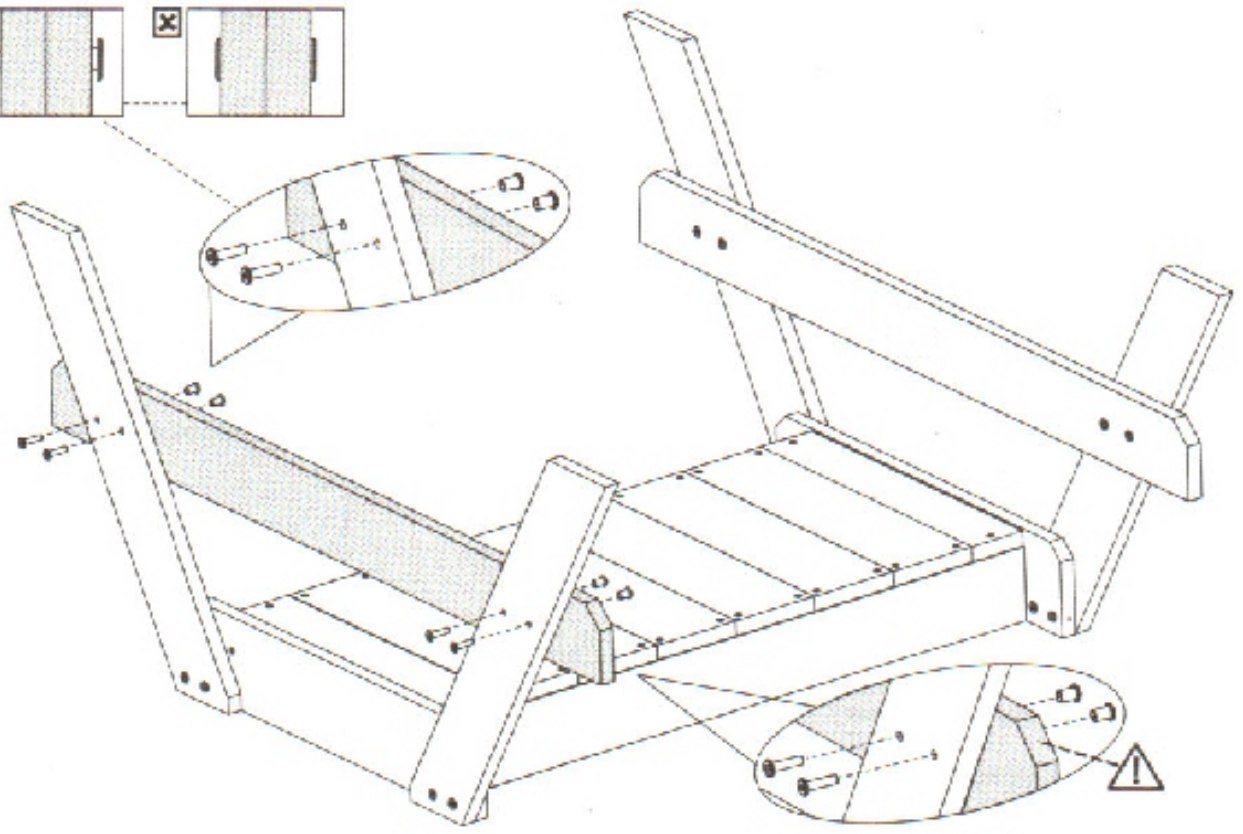
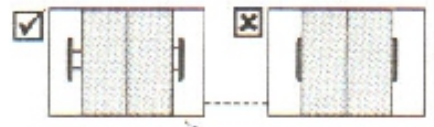


9

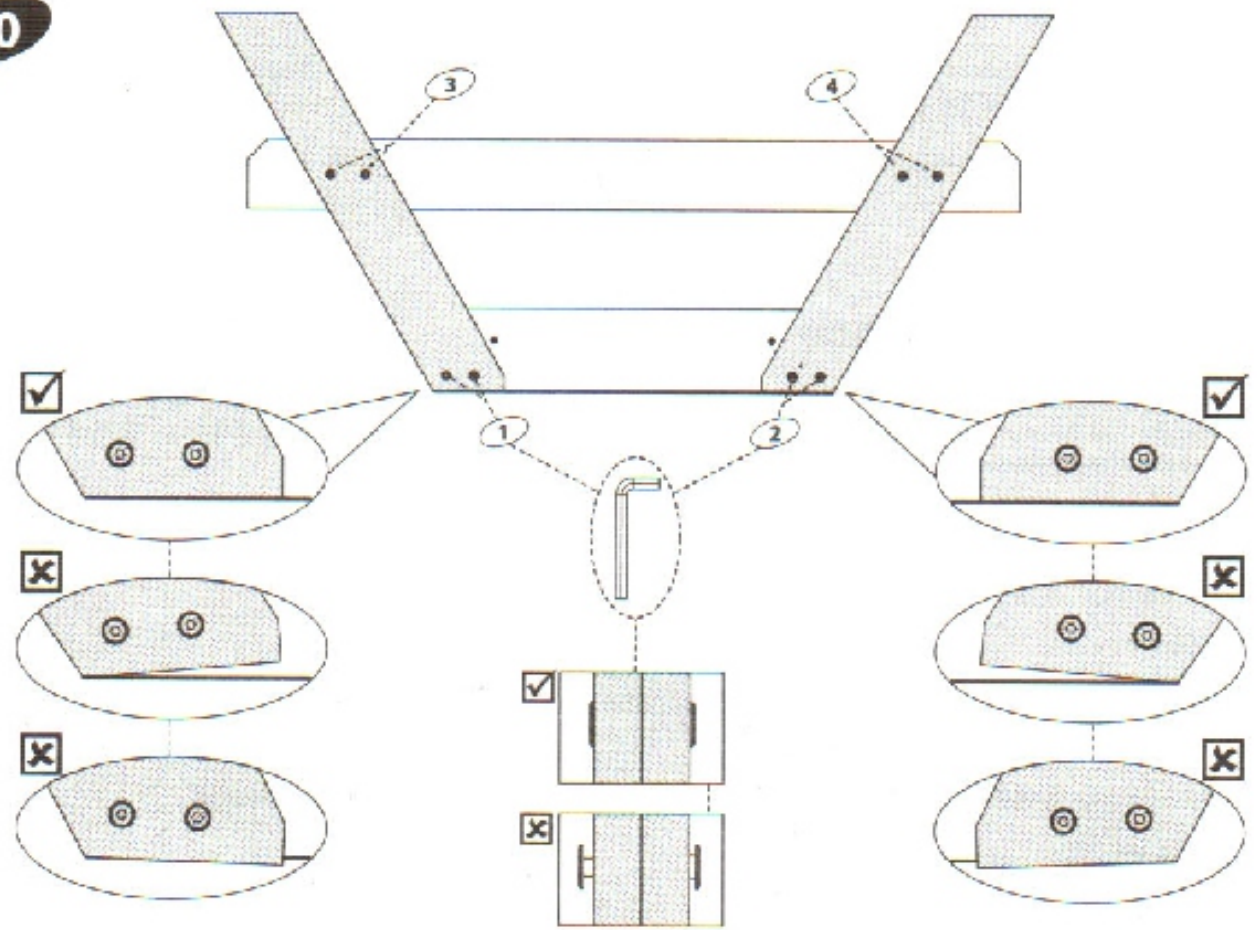
D1534  x1  
88 x 17.5 x 969mm

SH:M6x25mm  x4  
25mm

SH:M6x15mm  x4  
15mm



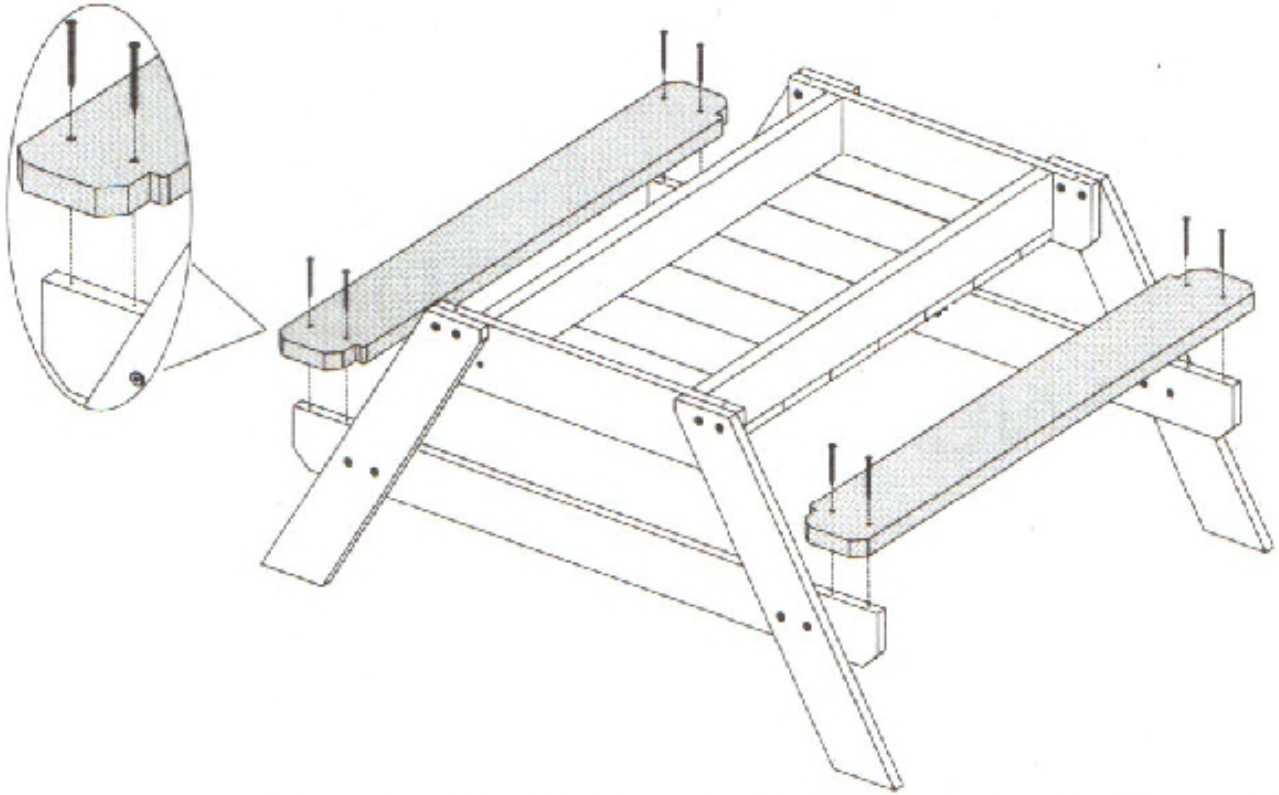
10



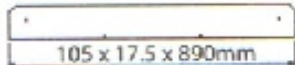



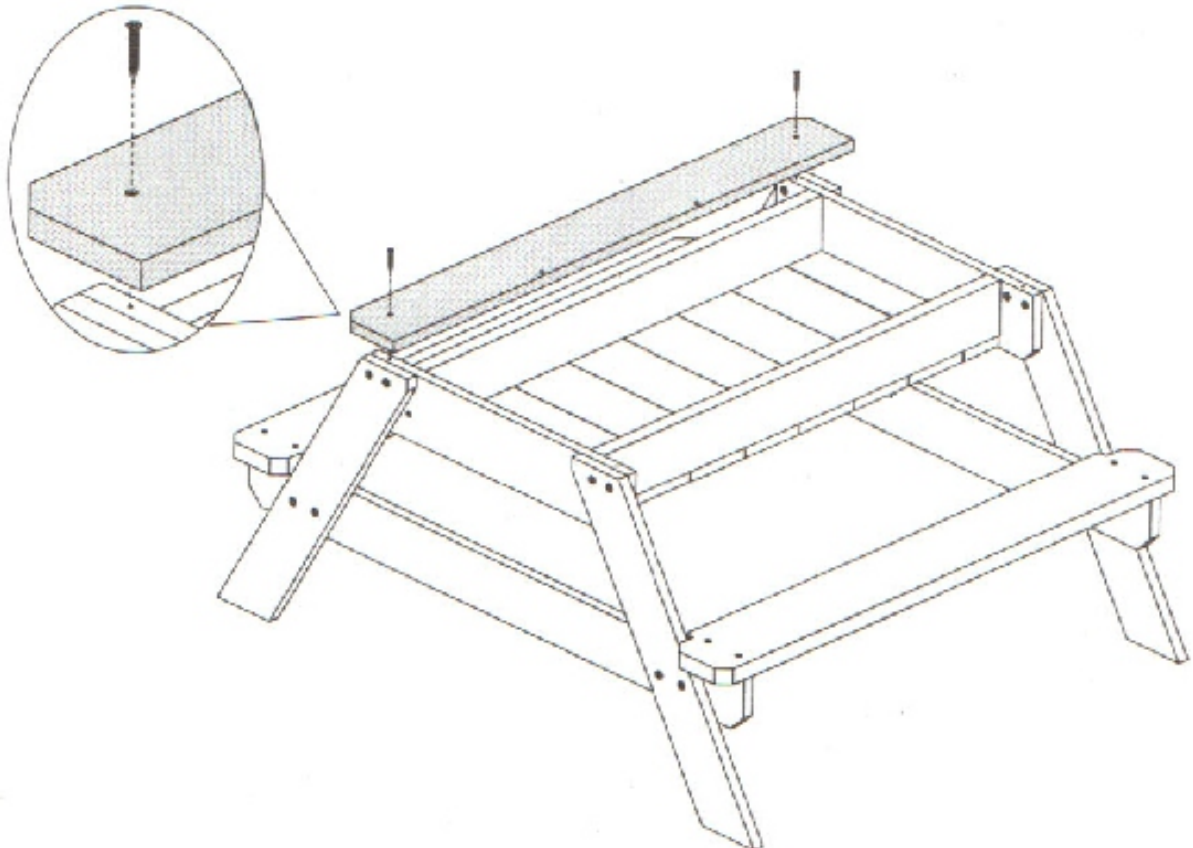
11

D1533  x2 M4x50mm  x8

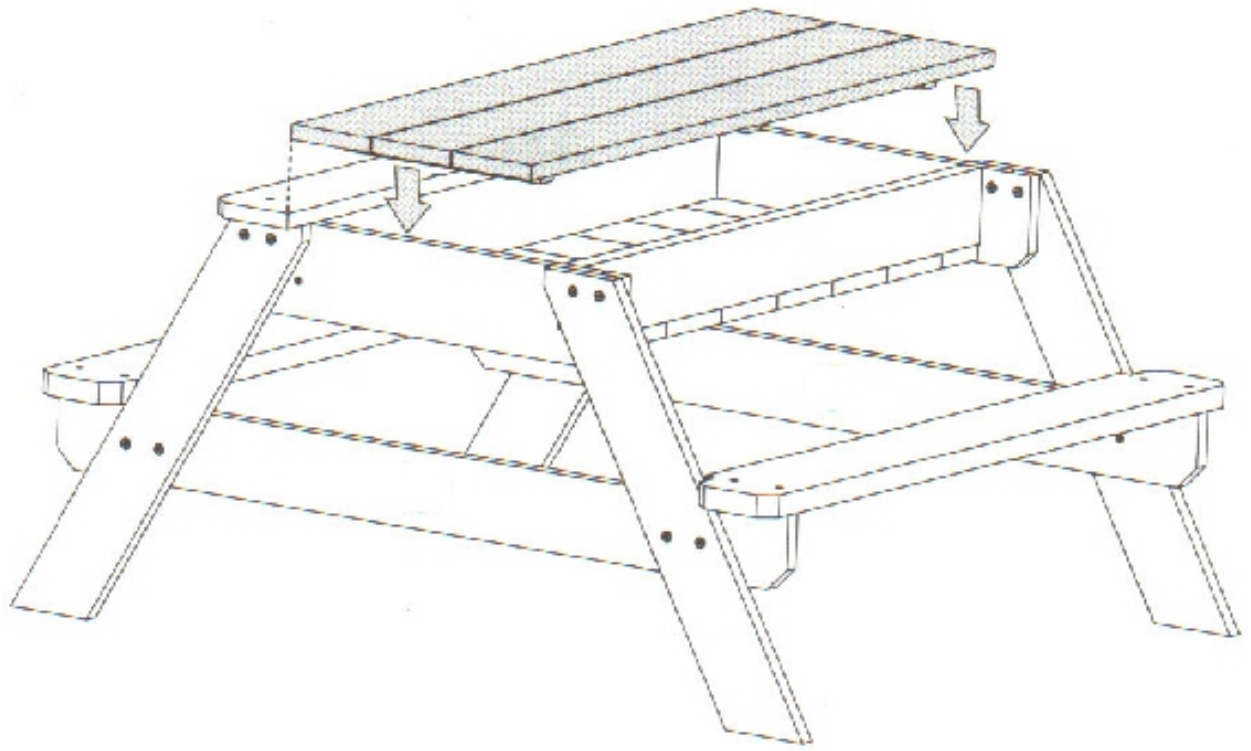


12

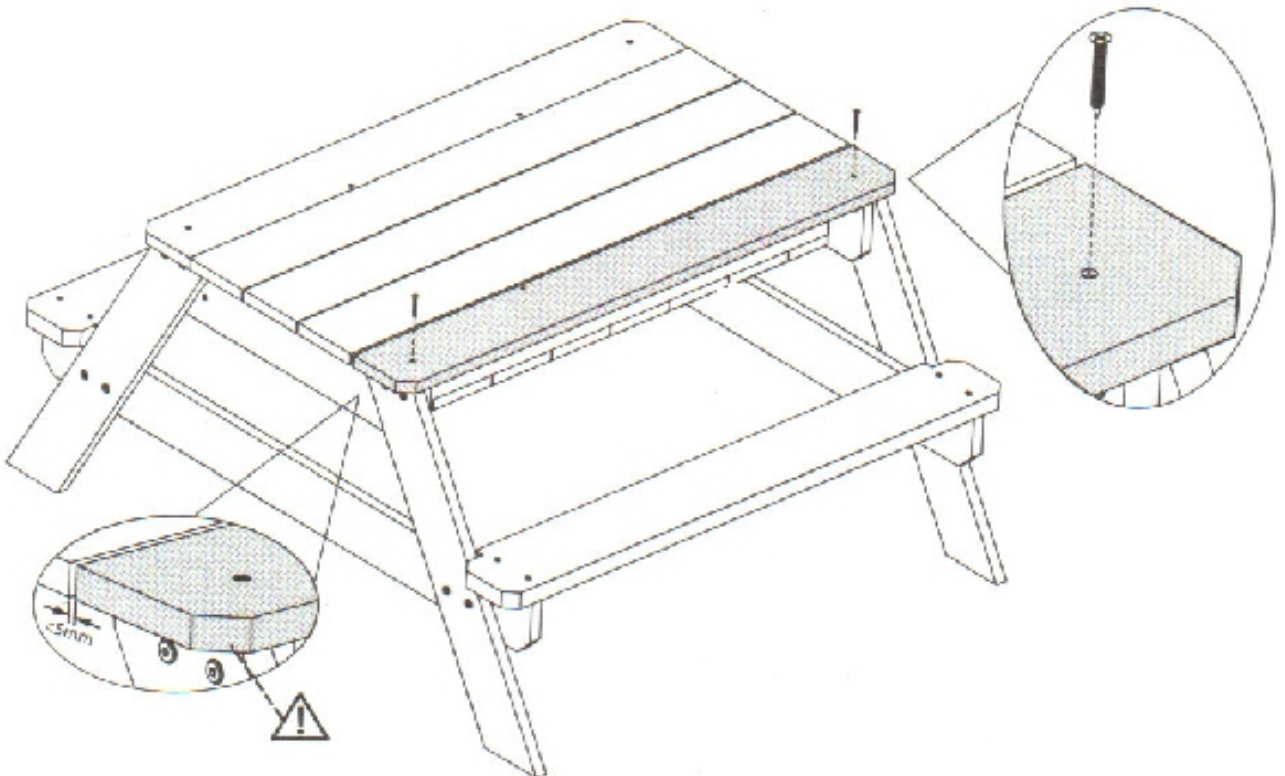
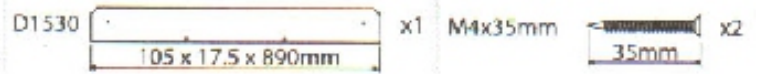
D1530  x1 M4x35mm  x2



13



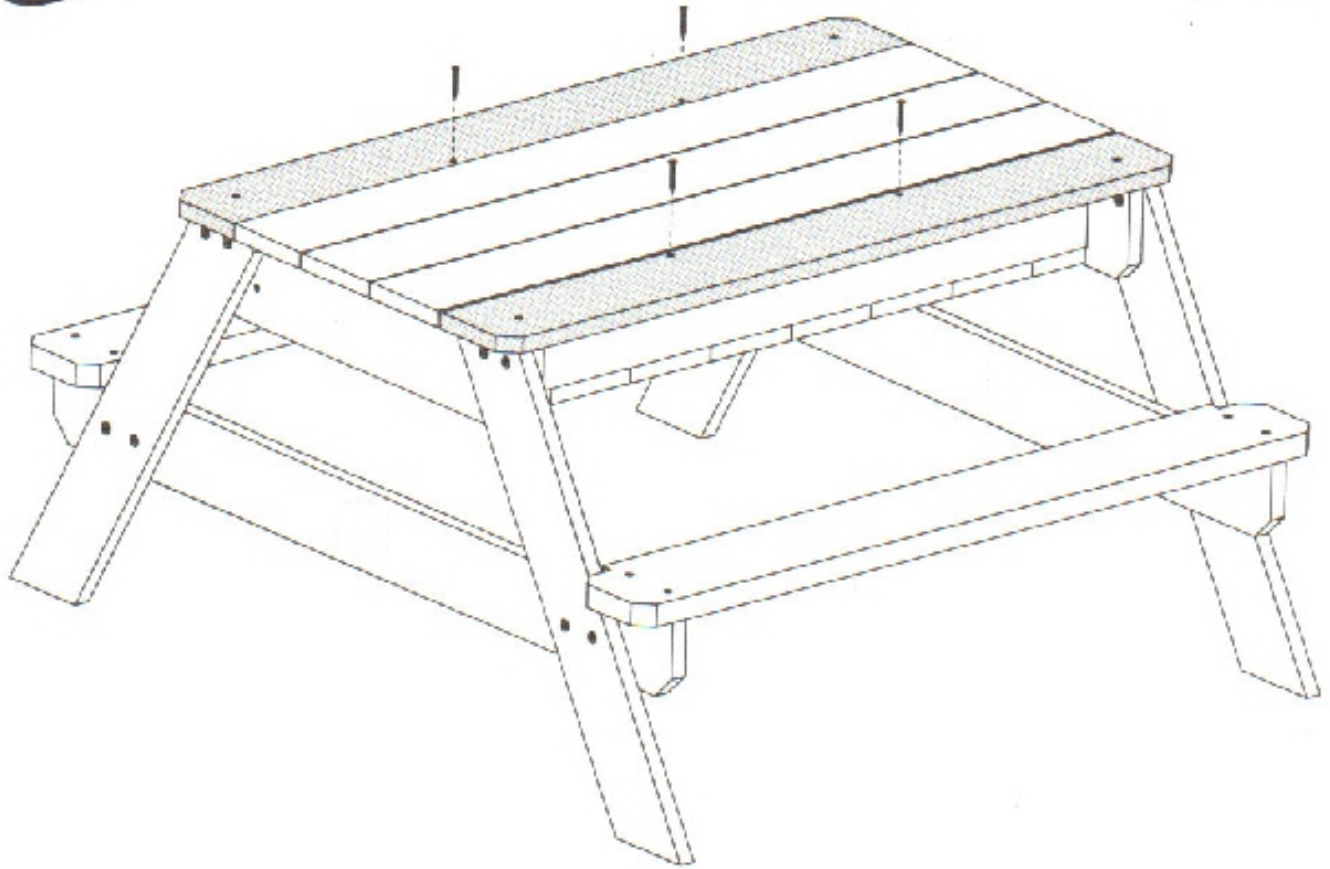
14





15

M4x35mm  x4  
35mm



16

D1541

x1

