

SPECIFICATIONS

DESCRIPTION

- 4" (10.16 cm) deep deck extension kit, order part #C7555EXT
- Single-spray functionality

FLOW

- 1.5 GPM/5.69 LPM at 60 PSI

STANDARDS

- ASME A112.18.1/CSA B125.1
- NSF 61/9 & 372 Q ≤ 1
- CEC

WARRANTY

- Most products or parts carry "Limited Warranties" against manufacturing defects. For US customers please visit houseofrohl.com/support and for Canadian customers please visit houseofrohl.ca/support for complete product and finish warranty.

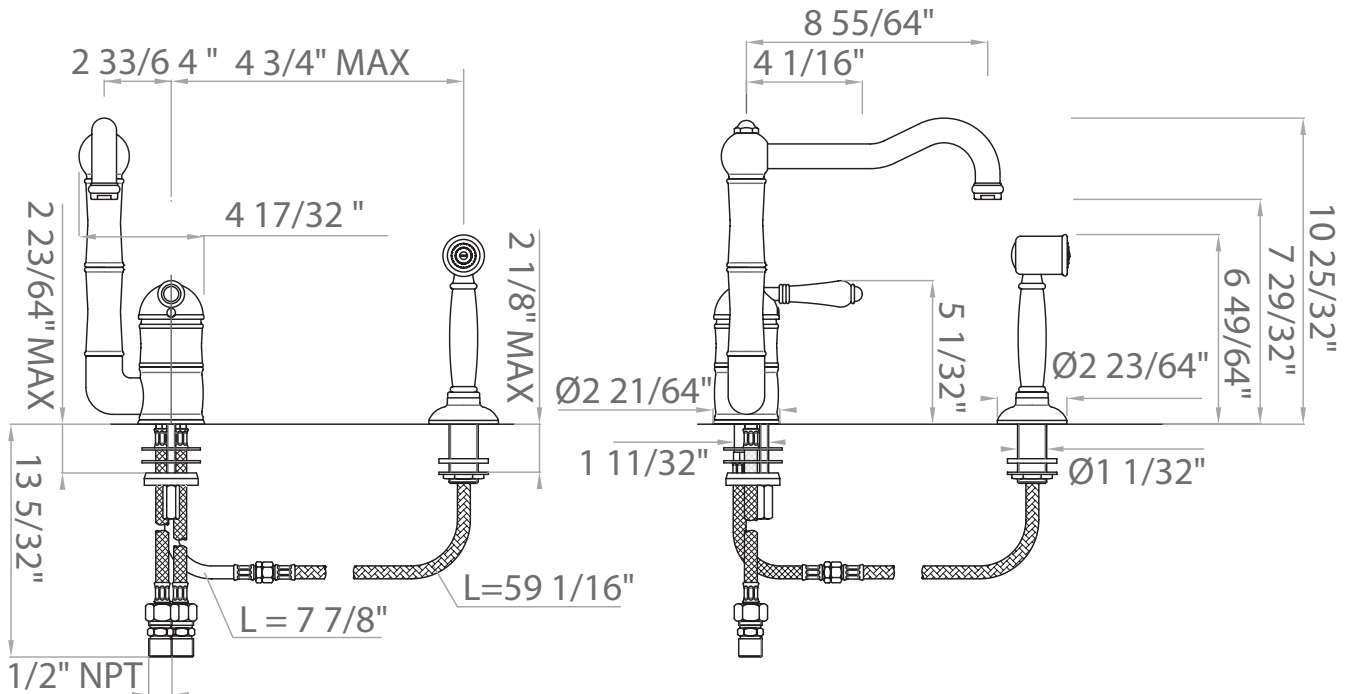


Acqui®

Kitchen Faucet With Side Spray

MODEL: A3608LMWS
A3608LPWS

ADA cUPC®



For warranty or additional information, contact:

U.S.A.
houseofrohl.com/support
1-800-777-9762

QUEBEC / MARITIMES / WESTERN CANADA
QUÉBEC / MARITIMES / OUEST CANADIEN
QUEBEC / MARITIMOS / CANADA OCCIDENTAL
houseofrohl.ca/support
1-866-473-8442

ONTARIO
houseofrohl.ca/support
1-800-287-5354

SPÉCIFICATIONS

DESCRIPTION

- Ensemble de rallonge de montage 4" (10.16 cm) pour comptoir profond no de pièce C7555EXT
- Fonctionnalité à 1 jet

DEBITS DISPONIBLES

- 1,5 GPM/5,69 LPM à 60 PSI

CERTIFICATIONS

- ASME A112.18.1/CSA B125.1
- NSF 61/9 & 372 Q ≤ 1
- CEC

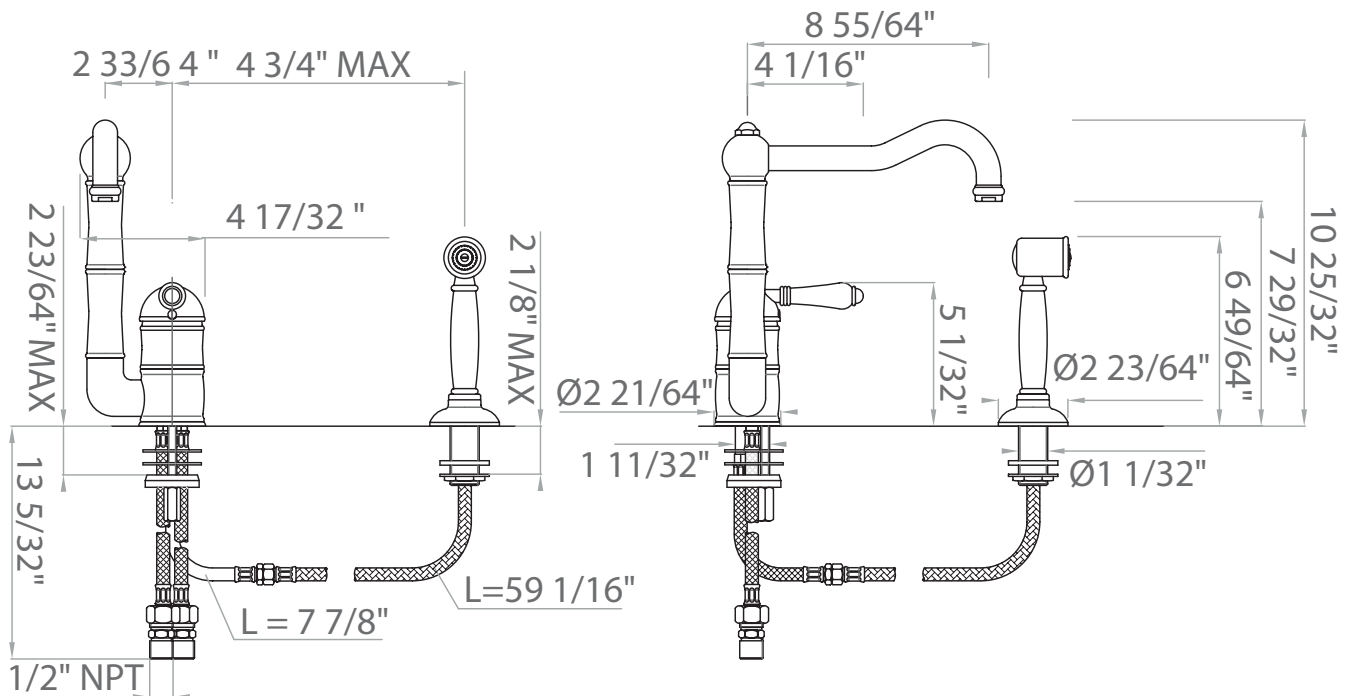


Acqui®

Kitchen Faucet With Side Spray

MODÈLES: A3608LMWS
A3608LPWS

ADA  cUPC®



For warranty or additional information, contact:

U.S.A.
houseofrohl.com/support
1-800-777-9762

QUEBEC / MARITIMES / WESTERN CANADA
QUÉBEC / MARITIMES / OUEST CANADIEN
QUEBEC / MARITIMOS / CANADA OCCIDENTAL
houseofrohl.ca/support
1-866-473-8442

ONTARIO
houseofrohl.ca/support
1-800-287-5354

ESPECIFICACIONES

DESCRIPCIÓN

- Kit de extensión de plataforma de 4" (10,16 cm) de profundidad, pida la pieza #C7555EXT
- Funcionalidad de pulverización única

FLUIR

- 1,5 GPM/5,69 LPM a 60 PSI

NORMAS

- ASME A112.18.1/CSA B125.1
- NSF 61/9 & 372 Q ≤ 1
- CEC

GARANTÍA

- La mayoría de los productos o piezas cuentan con "Garantías limitadas" contra defectos de fabricación. Para los clientes de EE. UU., visite houseofrohl.com/support y para los clientes canadienses, visite houseofrohl.ca/support para conocer la garantía completa del producto y el acabado.

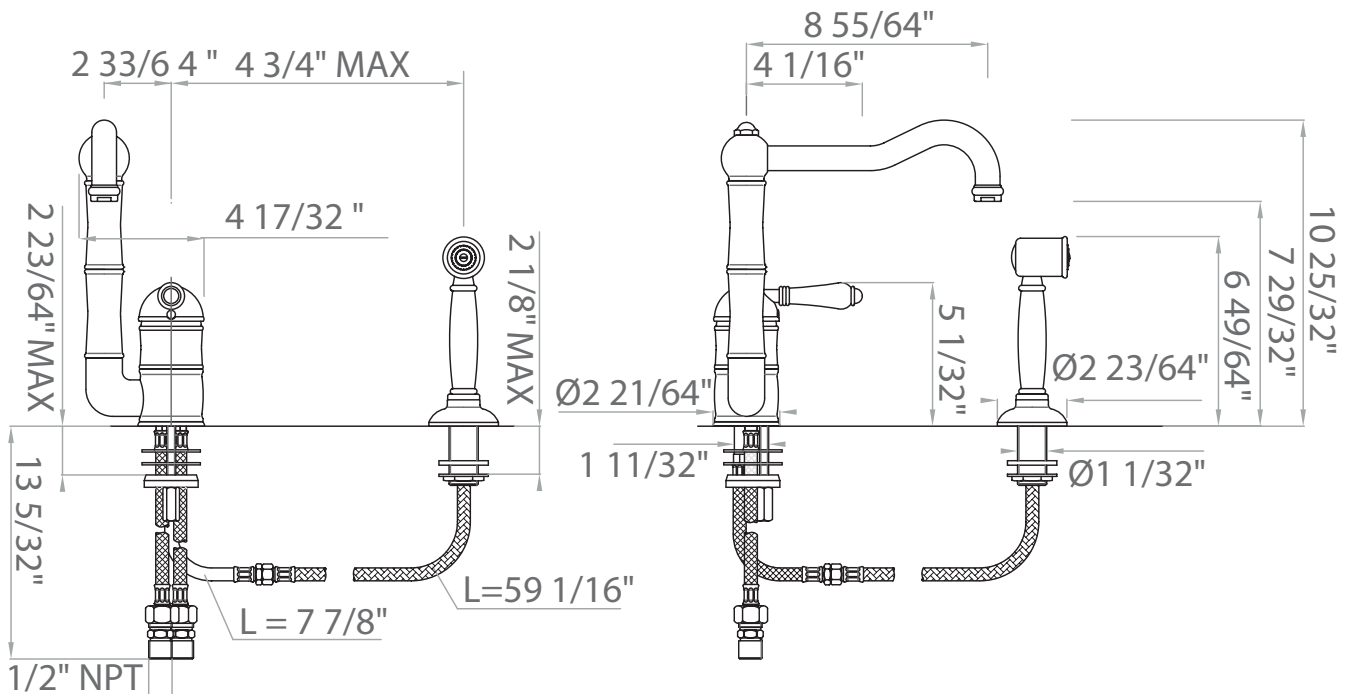


Acqui®

Grifo de cocina con rociador lateral

MODELOS: A3608LMWS
A3608LPWS

ADA  cUPC®



For warranty or additional information, contact:

U.S.A.
houseofrohl.com/support
1-800-777-9762

QUEBEC / MARITIMES / WESTERN CANADA
QUÉBEC / MARITIMES / OUEST CANADIEN
QUEBEC / MARITIMOS / CANADA OCCIDENTAL
houseofrohl.ca/support
1-866-473-8442

ONTARIO
houseofrohl.ca/support
1-800-287-5354