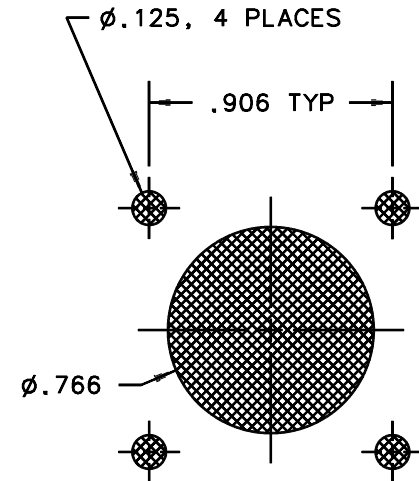
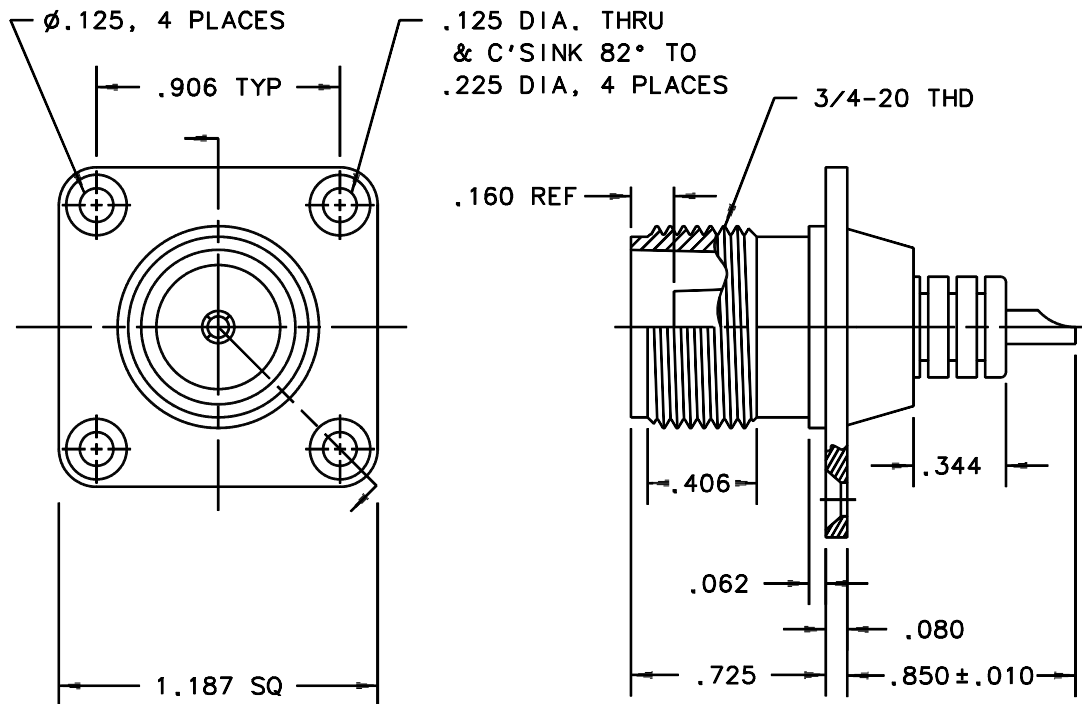


This document, including the design, configuration and mechanical features revealed herein are the sole, confidential and proprietary property of Tru-Connector Corporation. Reproduction or use thereof, in whole or part, is prohibited without the prior written consent of Tru-Connector Corporation.

REV	DESCRIPTION	DATE	APPROVAL
/	ORIGINAL ISSUE	12-18-96	RMK
A	UPDATED FORMAT	4-25-01	AM



MOUNTING HOLE DIMENSIONS
FRONT OR REAR MOUNTING

note:
insulator & center contact
are locked to prevent any
rotational or axial motion

FINISH: ALL METAL PARTS - SILVER PLATED

Material:

INSULATOR - TEFLON
FEMALE CONTACT - BERYLLIUM COPPER
OTHER METAL PARTS - BRASS

UNLESS OTHERWISE SPECIFIED:
DIMENSIONS ARE IN INCHES
CHAMFER FIRST THREAD 45°
DIMENSIONS BEFORE PLATING

TOLERANCES:
FRACTIONS: ±1/64
.XX ±.01
.XXX ±.005
ANGLES: ±1/2°
MACHINED SURFACES ✓

THIRD ANGLE PROJECTION

DRAWN BY	RMK	DATE	12-18-96
ENG APPROVAL	KOCH	DATE	12-18-96
MFG APPROVAL		DATE	
OTHER APPROVAL		DATE	

REFERENCE



TRU-CONNECTOR CORPORATION
245 LYNNFIELD STREET
PEABODY, MASSACHUSETTS

TITLE
CONNECTOR, COAXIAL, RF
SERIES: HN(F)
RECEPTACLE, PANEL

SIZE	CAGE CODE	DWG NO.	REV
A	92180	TRU-8046-SST	A

CAD FILE: SERIES: HN/RECEPTACLE PANEL SCALE 1.5 X SHEET 1 of 1