

Installation Instructions

Bidet Seat

Record your model number:

Noter le numéro de modèle:

Anote su número de modelo: _____

Français, page 12

Español, página 23

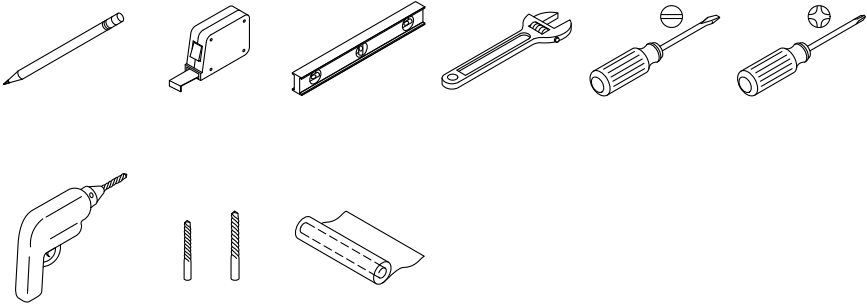
KOHLER®

Thank You for Choosing KOHLER

Need help? Contact our Customer Care Center.

- USA/Canada: 1-800-4KOHLER (1-800-456-4537) Mexico: 001-800-456-4537
- Service parts: kohler.com/serviceparts
- Care and cleaning: kohler.com/clean
- Patents: kohlercompany.com/patents

Tools and Materials



1/16", 1/4" Plastic Wrap

Before You Begin



WARNING: Risk of electric shock. Connect only to a properly-grounded dedicated circuit protected by a Class A Ground-Fault Circuit-Interrupter (GFCI)*. Use 120 V, 60 Hz, 15 A service. Do not remove the grounding pin or use a grounding adapter.



WARNING: Risk of electric shock. Do not immerse or flush the product with water.



CAUTION: Risk of product damage. Do not install this product in a location exposed to excessive moisture where condensation might form on the product surface. Provide adequate ventilation when bathing to avoid damage to the electronic components due to high humidity levels.



CAUTION: Risk of product damage. Do not supply electrical power to the unit until the plumbing installation work has been completed, as it may cause the product to malfunction.



CAUTION: Risk of property or product damage. Pushing or pulling on the water connection may cause water leakage.

NOTE: This product contains thermal protectors that may trip during storage or transportation in warm conditions, causing the unit to not operate. Allow the unit to cool to room temperature before installation or operation.

Follow all local plumbing and electrical codes.

Connect the seat to a cold water supply of drinking quality with a pressure of 20 psi (139 kPa) - 80 psi (551 kPa).

*Outside North America, this may be known as a Residual Current Device (RCD).

Grounding Instructions

This product should be grounded. In the event of an electrical short circuit, grounding reduces the risk of electric shock by providing an escape wire for the electric current. This product is equipped with a cord having a grounding wire with a grounding plug. The plug must be plugged into an electrical outlet that is properly installed and grounded.



DANGER: Risk of electric shock. Improper use of the grounding plug can result in a risk of electric shock.

If repair or replacement of the cord or plug is necessary, do not connect the grounding wire to either flat blade terminal. The wire with insulation having an outer surface that is green with or without yellow stripes is the grounding wire.

Check with a qualified electrician or service personnel if the grounding instructions are not completely understood, or if in doubt whether the product is properly grounded.

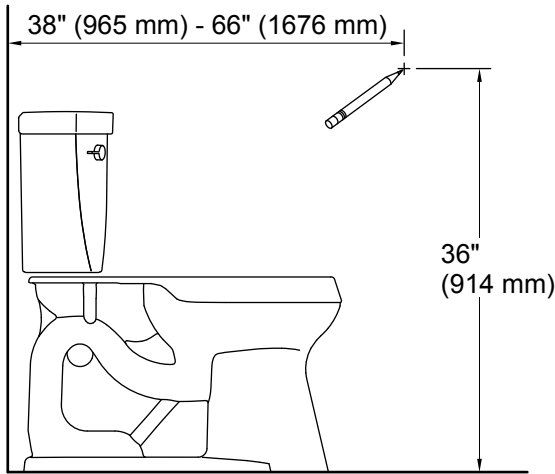
This product is factory equipped with a specific electric cord and plug to permit connection to a proper electric circuit. Make sure that the product is connected to an outlet having the same configuration as the plug. No adapter should be used with this product. Do not modify the plug provided — if it will not fit the outlet, have the proper outlet installed by a qualified electrician. If the product must be reconnected for use on a different type of electric circuit, the connection should be made by qualified service personnel.



CAUTION: Risk of property damage. If it is necessary to use an extension cord, a single cord may be used provided that the "Type" begins with "SJ", the cord is a 12 gauge, grounded (12/3), is no longer than 25 feet (7.6 meters), and is plugged into a GFCI* electrical outlet. Promptly replace an extension cord that exhibits any sign of damage.

*Outside North America, this may be known as a Residual Current Device (RCD).

1. Prepare the Site



- If applicable, remove the existing toilet seat.
- Turn OFF the water supply to the toilet.
- Flush the toilet to relieve any pressure from the supply hose.
- Disconnect the water supply hose from the toilet fill valve.
- Determine the installation location for the remote control docking station on the wall.

Install an Electrical Outlet



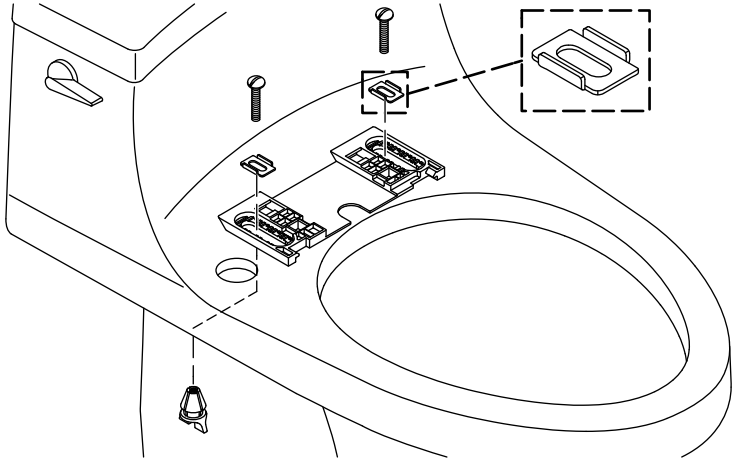
WARNING: Risk of electric shock. Connect only to a properly-grounded dedicated circuit protected by a Class A Ground-Fault Circuit-Interrupter (GFCI)*. Use 120 V, 60 Hz, 15 A service. Do not remove the grounding pin or use a grounding adapter.

***Outside North America, this may be known as a Residual Current Device (RCD).**

NOTE: Follow local codes when determining the electrical outlet location.

- Install a dedicated 120 V GFCI-protected electrical outlet within 32" (813 mm) of the toilet to accommodate the length of the power cord.
- Do not plug the seat into the electrical outlet at this time.

2. Install the Mounting Plate



- Position the mounting plate over the mounting holes on the bowl.
- Position the inserts in the grooves on the mounting plate as shown.

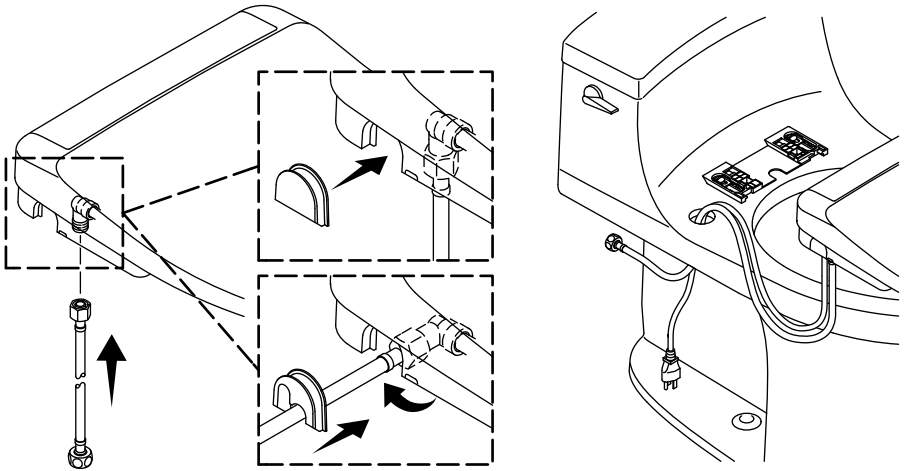
Toilets with Threaded Mounting Holes

- Insert the bolts through the inserts and thread into the mounting holes.
- Do not fully tighten at this time.

All Other Installations

- Insert the bolts through the inserts and into the mounting holes.
- Thread a nut onto each bolt.
- Do not fully tighten at this time.

3. Install the Water Line



CAUTION: Risk of property or product damage. Pushing or pulling on the water connection may cause water leakage.

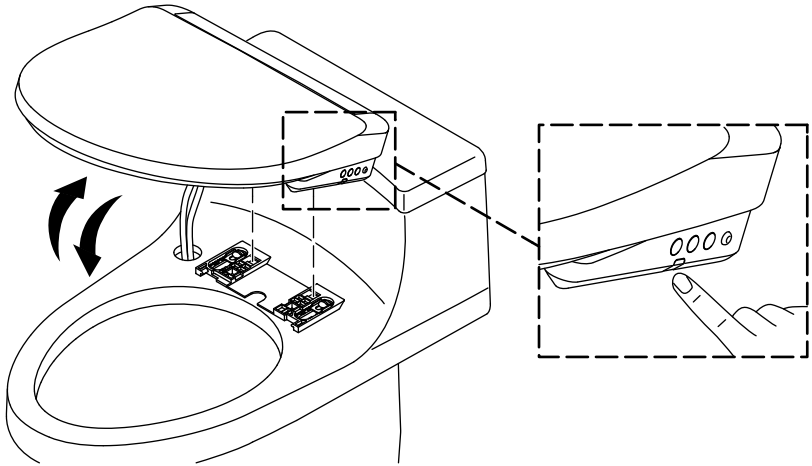
IMPORTANT! Use only the water line included with the seat. Using a different hose may damage the seat components.

NOTICE: Use care to avoid cross-threading or overtightening the connections. Use an adjustable wrench to tighten one-quarter turn past hand-tight.

NOTE: Verify that the cord routing does not interfere with the fill valve connection.

- Install the water line to the white inlet port on the underside of the seat.
- Toilet with a rim hole:** Route the water line and power cord through the hole in the rim of the toilet.
- Toilet without a rim hole:** Fold the inlet flat so that the water line exits the side of the seat.
- Install the appropriate cover over the hole on the side of the seat.

4. Install the Seat



Position the Seat

- Engage the rear edge of the seat with the lip on the mounting bracket. Tilt the seat down to lock in place.
- Check the seat position. Adjust the position if needed.

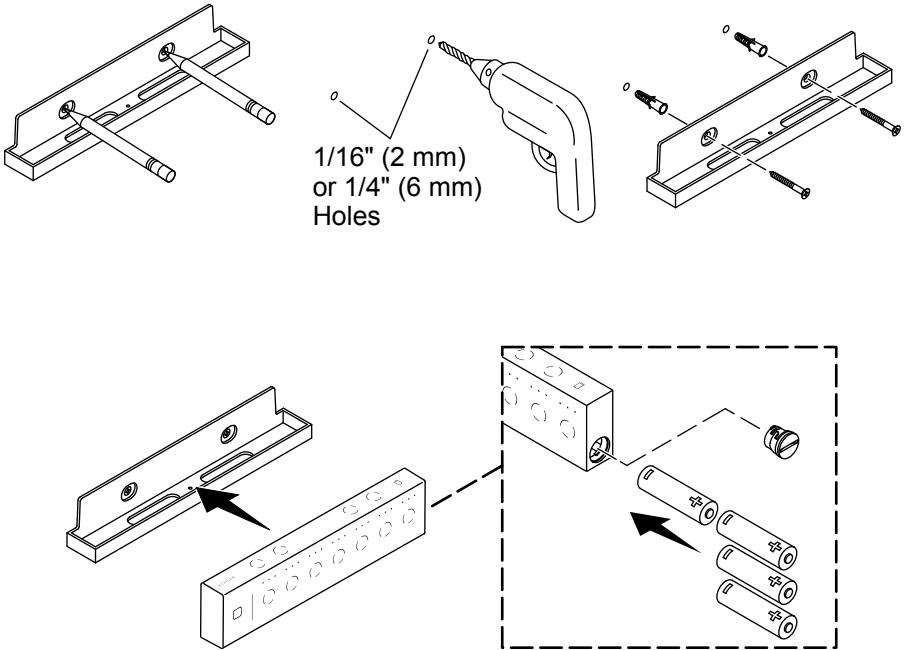
Adjust the Seat

- Press and hold the release button.
- Tilt the seat up and lift to remove. Avoid tension on the hose connections.
- Reposition the mounting plate as needed.

Secure the Seat

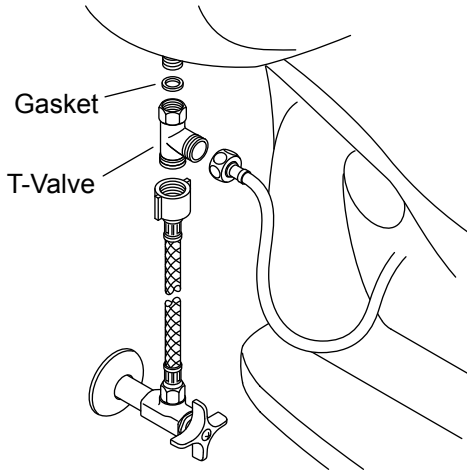
- Securely tighten the mounting plate bolts and nuts.
- Engage the rear edge of the seat with the lip on the mounting bracket. Tilt the seat down to lock in place.

5. Install the Remote Control



- Position the docking station at the desired mounting location.
- Confirm that the docking station is level.
- Using a pencil, mark the two mounting-hole locations.
- For installation into a stud or other wood surface:** Drill a 1/16" (2 mm) hole at each of the marked locations.
- For installation using wall anchors:** Drill a 1/4" (6 mm) hole at each of the marked locations. Install the provided wall anchors into the holes.
- Position the docking station over the anchors or marks. Secure with the provided screws.
- Remove and retain the cap to the battery compartment.
- Install the four provided AA batteries in the orientation shown.
- Reinstall the cap to the battery compartment.
- Place the remote control on the docking station.

6. Connect the Water Supply

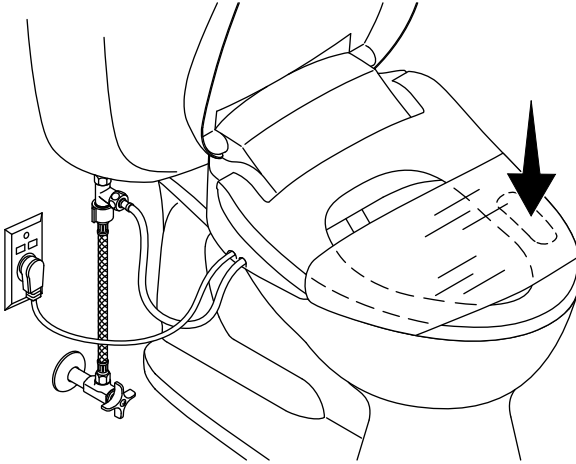


⚠ CAUTION: Risk of property or product damage. Pushing or pulling on the water connection may cause water leakage.

NOTICE: Use care to avoid cross-threading or overtightening the connections. Use an adjustable wrench to tighten one-quarter turn past hand-tight.

- Verify that the gasket is installed inside the T-valve.
- Connect the T-valve to the water inlet on the toilet tank.
- Connect the seat water line to the T-valve.
- Connect the supply hose to the T-valve.
- If needed, connect the supply hose to the supply stop.
- Turn ON the water supply.
- Check all connections for leaks, and make adjustments as needed.

7. Check the Installation



NOTE: The seat features can be controlled using the panel on the seat, the remote control, or the KOHLER Konnect App. For App control, download KOHLER Konnect to your device and follow the on-screen instructions.

NOTE: Covering the seat with plastic wrap is optional. The features can be tested while sitting on the seat or covering the wand with your hand.

NOTE: When testing the features, apply pressure to the occupancy sensor on the right side of the seat (facing the toilet). The features will not activate if there is no pressure on the sensor.

- Optional:** Wrap the seat with plastic wrap to prevent water from spraying beyond the toilet while testing.
- Plug the power cord into the electrical outlet. The seat will go through a power-up sequence. The seat will go silent when the power-up is complete.
- Refer to the Homeowners Guide to test the seat features.