



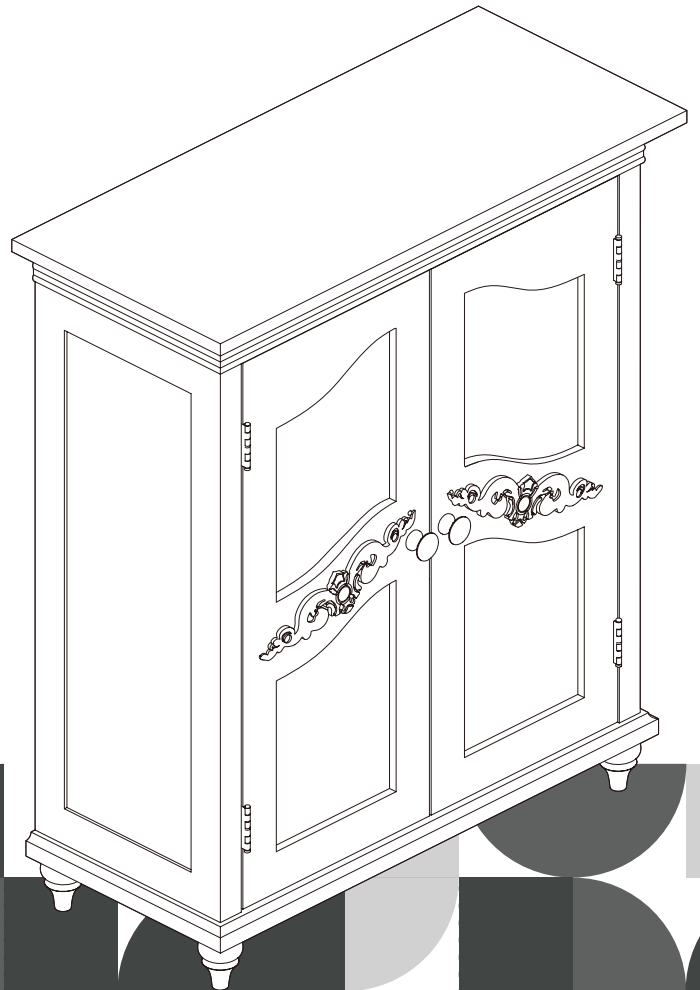
Extended Warranty
Sign Up

E-1

Welcome home!

ELG-550/571

**TEAMSON HOME
Versailles Floor Cabinet
with 2 Doors**





**Questions? Comments? Need help?
Call or email us any time!**

Global Customer Service

USA

+1(800)935-3959

Mon - Fri 10:00am ~ 2:00pm EST

✉ support@teamson.com

EU/UK

+44(0)1952-916-050

Mon - Thu 9:00am ~ 5:00pm GMT

Friday 9:00am ~ 4:00pm GMT

✉ support@teamson.co.uk

ASIA

深圳办公室:

+86(0755)8885-3558.分机号331

Mon - Sat 9:00am ~ 5:00pm GMT+8

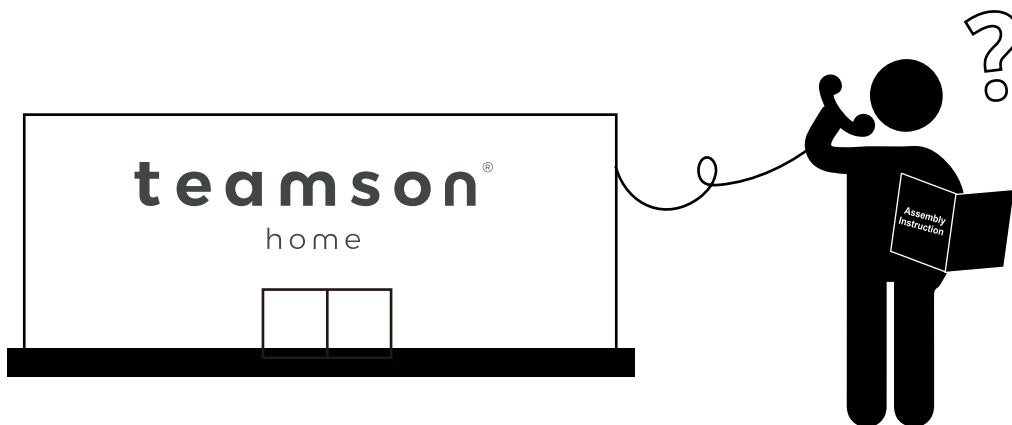
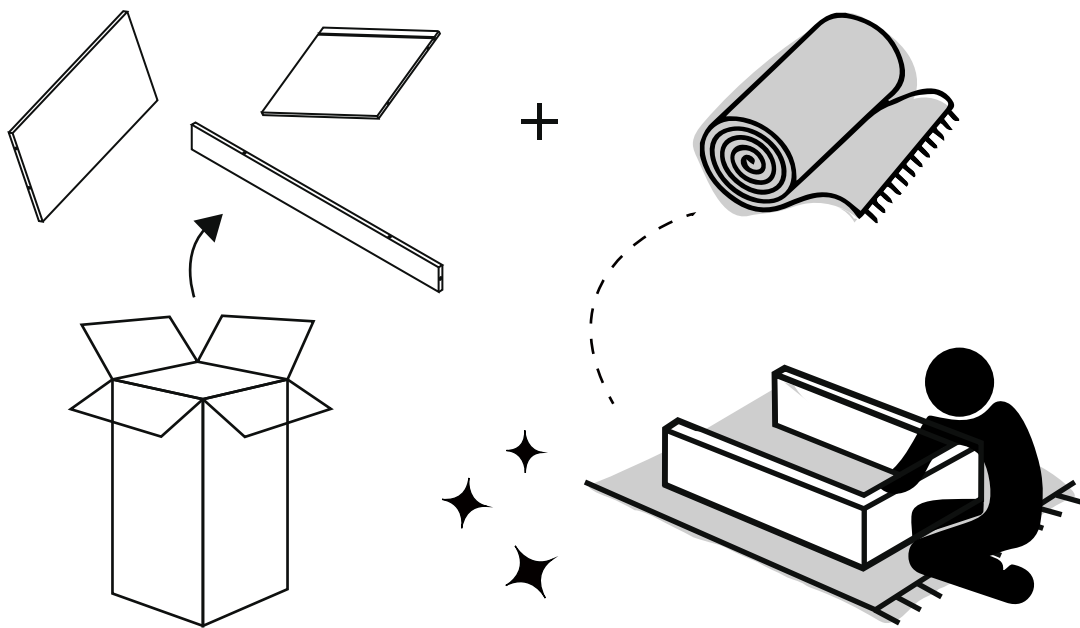
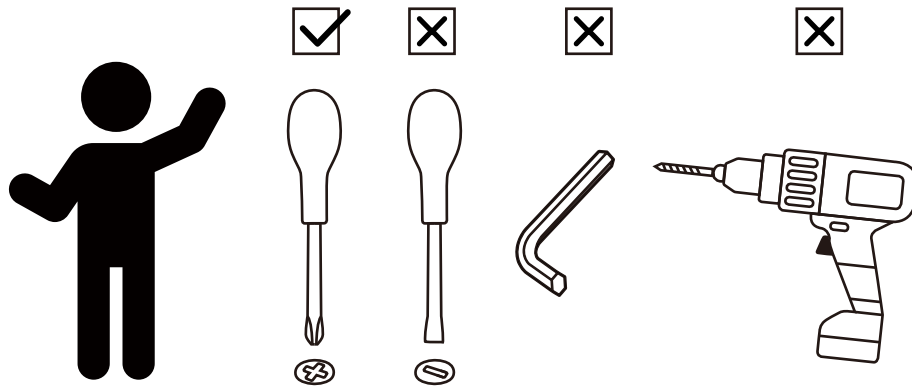
✉ sales_ec@teamson.com

台北办公室:

+886(2)2556-6268

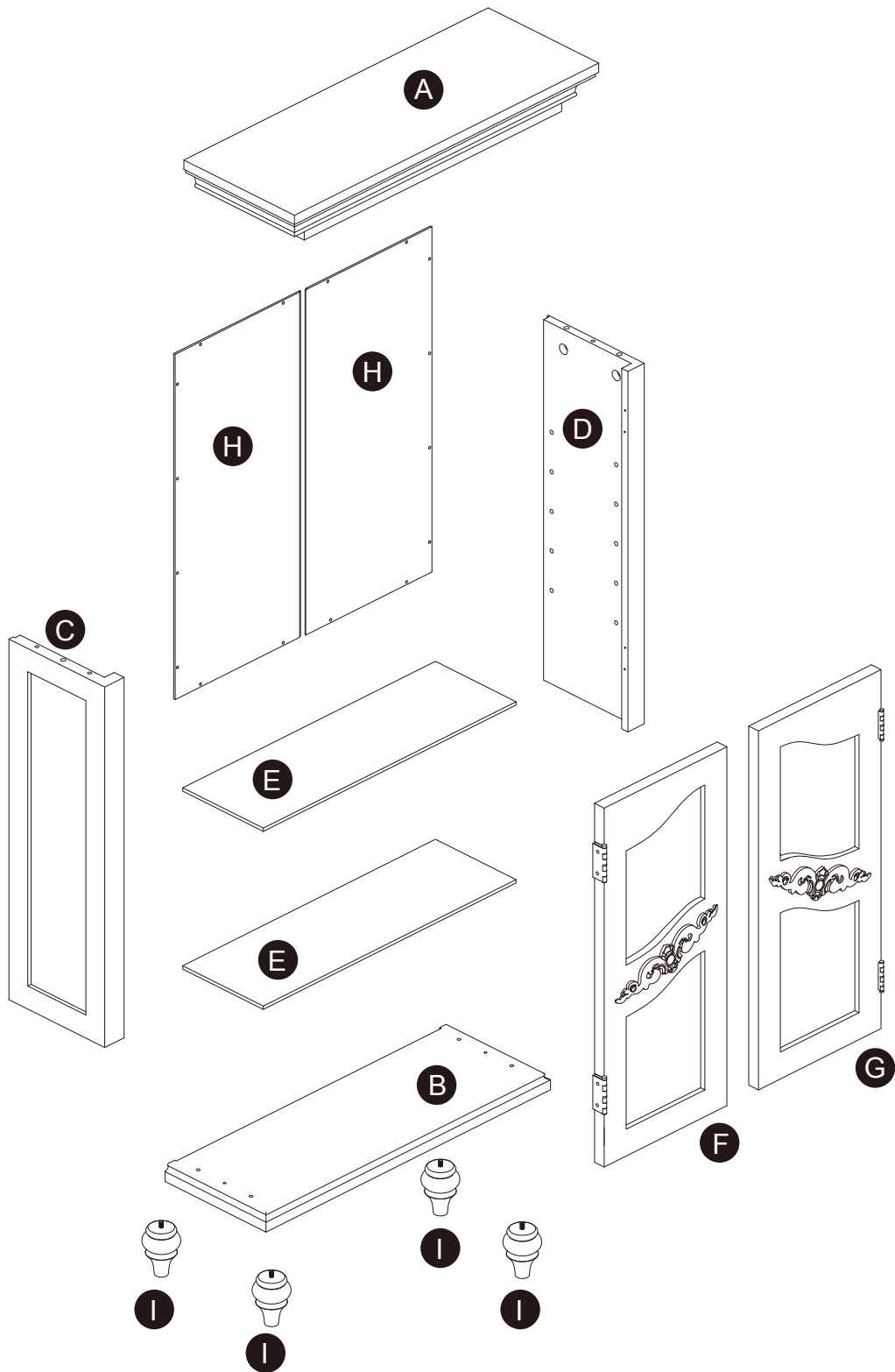
Mon - Fri 9:00am ~ 5:00pm GMT+8

✉ sales_ec@teamson.com



** Got questions? Please have your product code (on the first page of this instruction, e.g. TD-12345A) and the order number ready, give us a call or email us through our customer care support! We are always ready to assist you!

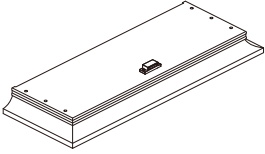
Exploded Drawing



Scan for assembly instructions.

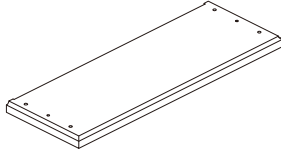
Product Parts

A



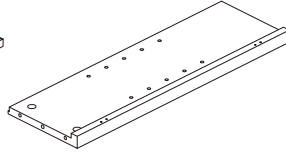
1 PC

B



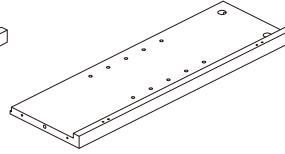
1 PC

C



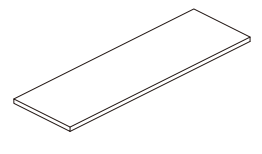
1 PC

D



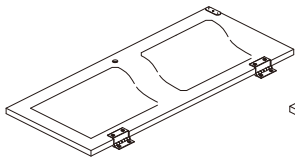
1 PC

E



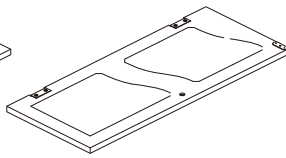
2 PCS

F



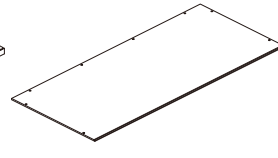
1 PC

G



1 PC

H



2 PCS

I



4 PCS

! Care Instructions

Dust surface with a dry soft cloth. Do not use window cleaners or cleaning abrasives as they will scratch the surface and could damage the protective coating

! WARNING

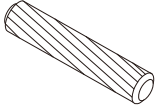
Small parts and sharp edges may be present prior to assembly.



Scan for assembly instructions.

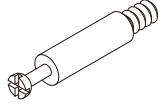
Hardware

1



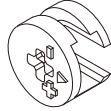
4 PCS

2



4 PCS

3



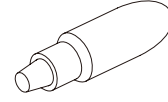
4 PCS

4



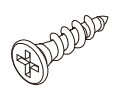
4 PCS

5



1 PC

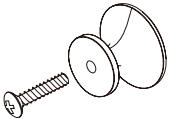
6



Ø3*15mm

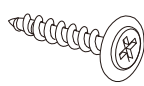
8 PCS

7



2 SET

8



Ø3*12 D=7

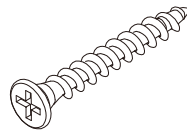
16 PCS

9



8 PCS

10



Ø4*38mm

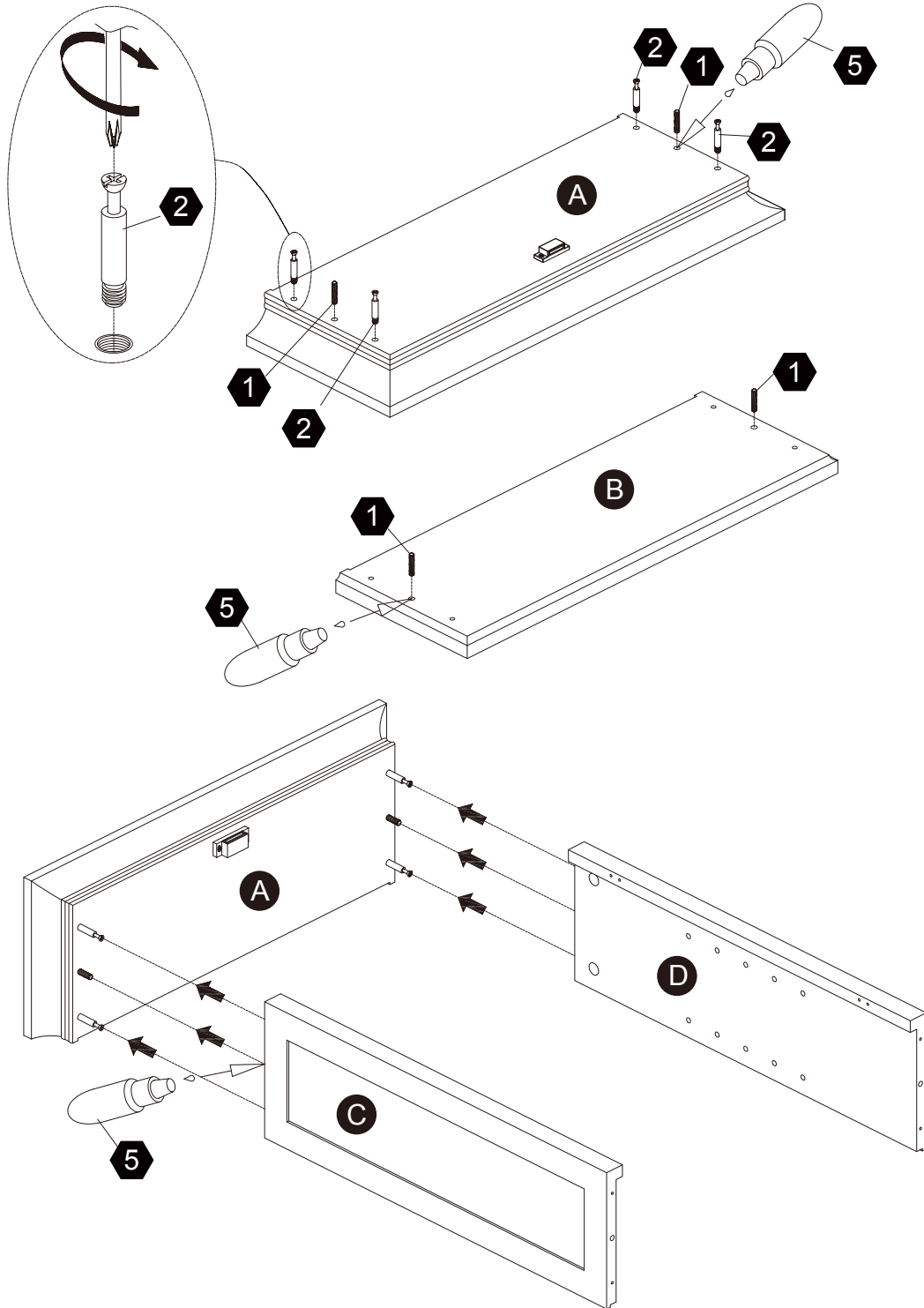
4 PCS



Scan for assembly instructions.

Step 1

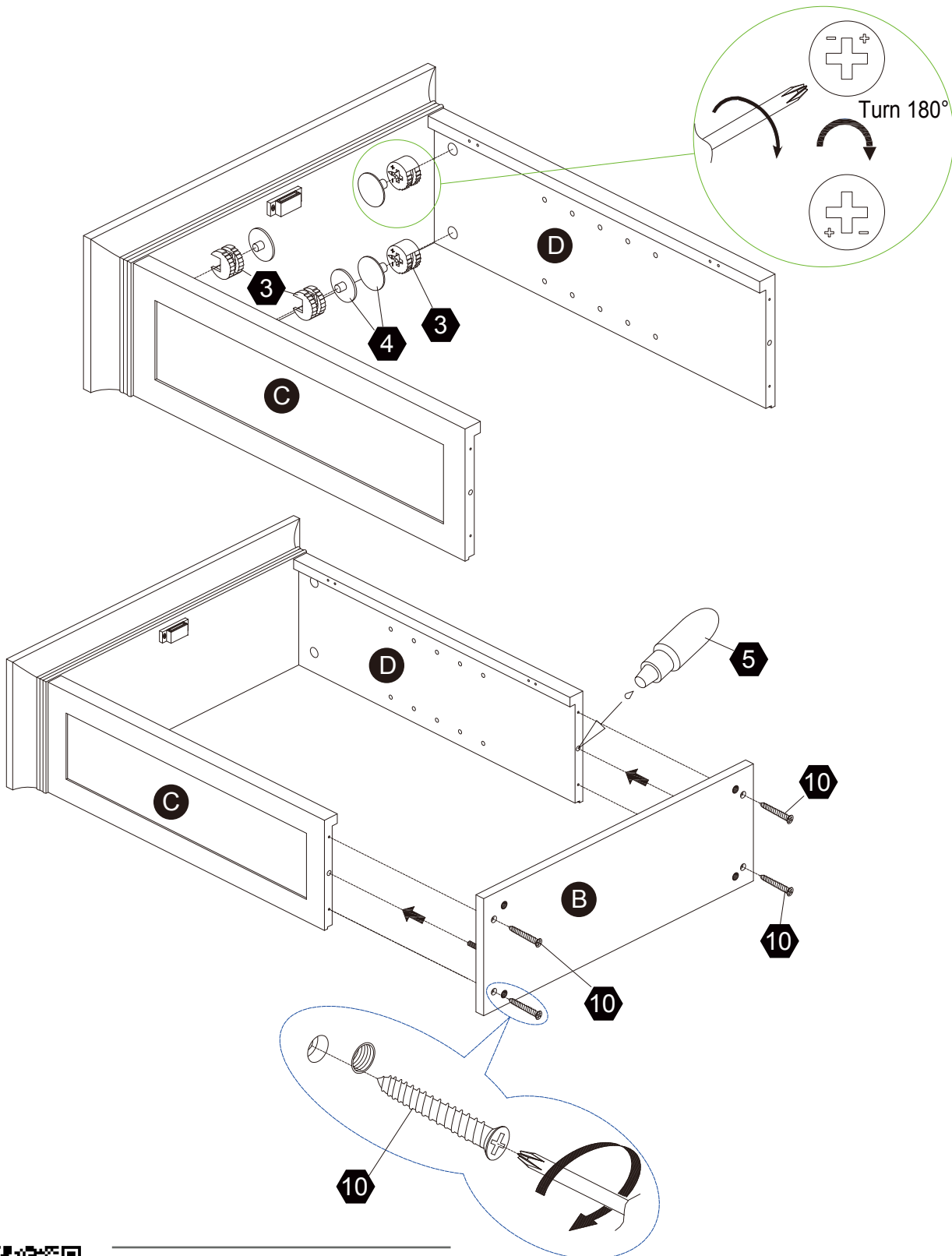
- 1 4 pcs
- 2 4 pcs
- 5 1 pc



Scan for assembly instructions.


Step 2

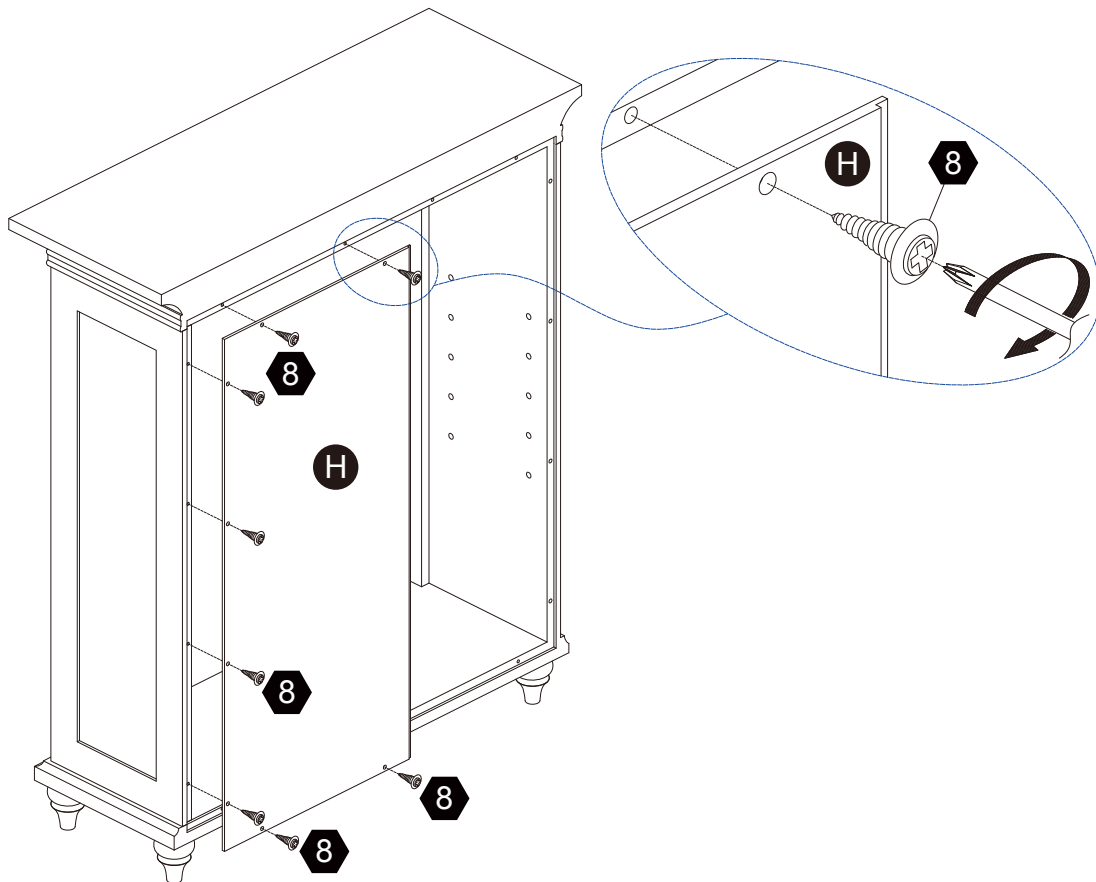
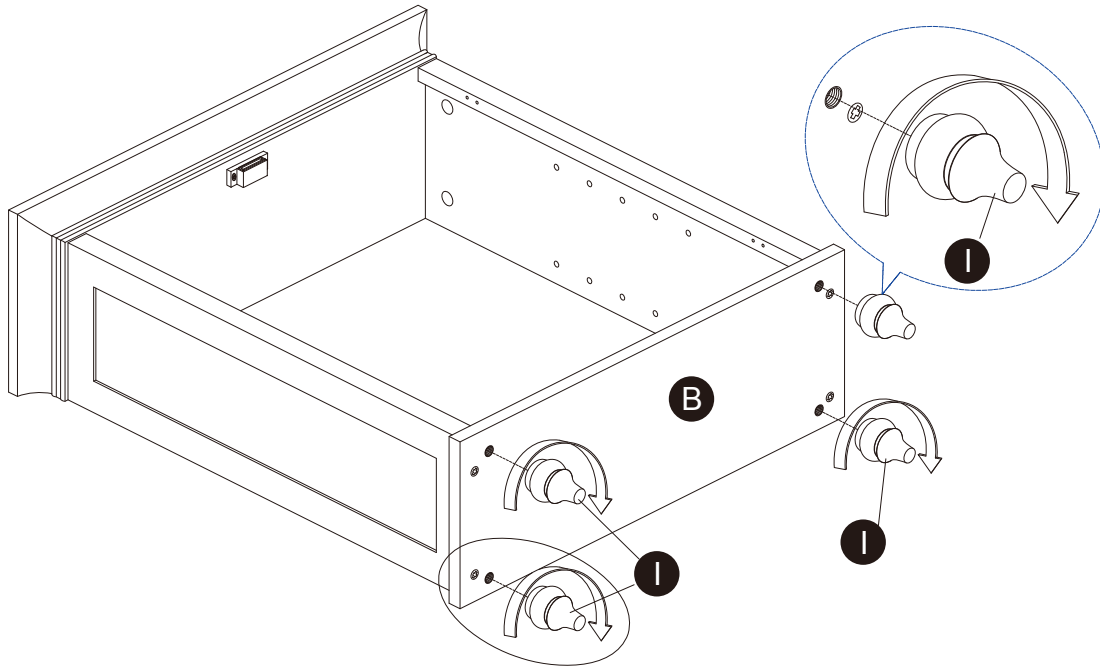
3  4 pcs **4**  4 pcs **10**  Ø4*38mm 4 pcs



Scan for assembly instructions.

Step 3

8  **8 pcs**
Ø3*12 D=7



Scan for assembly
instructions.

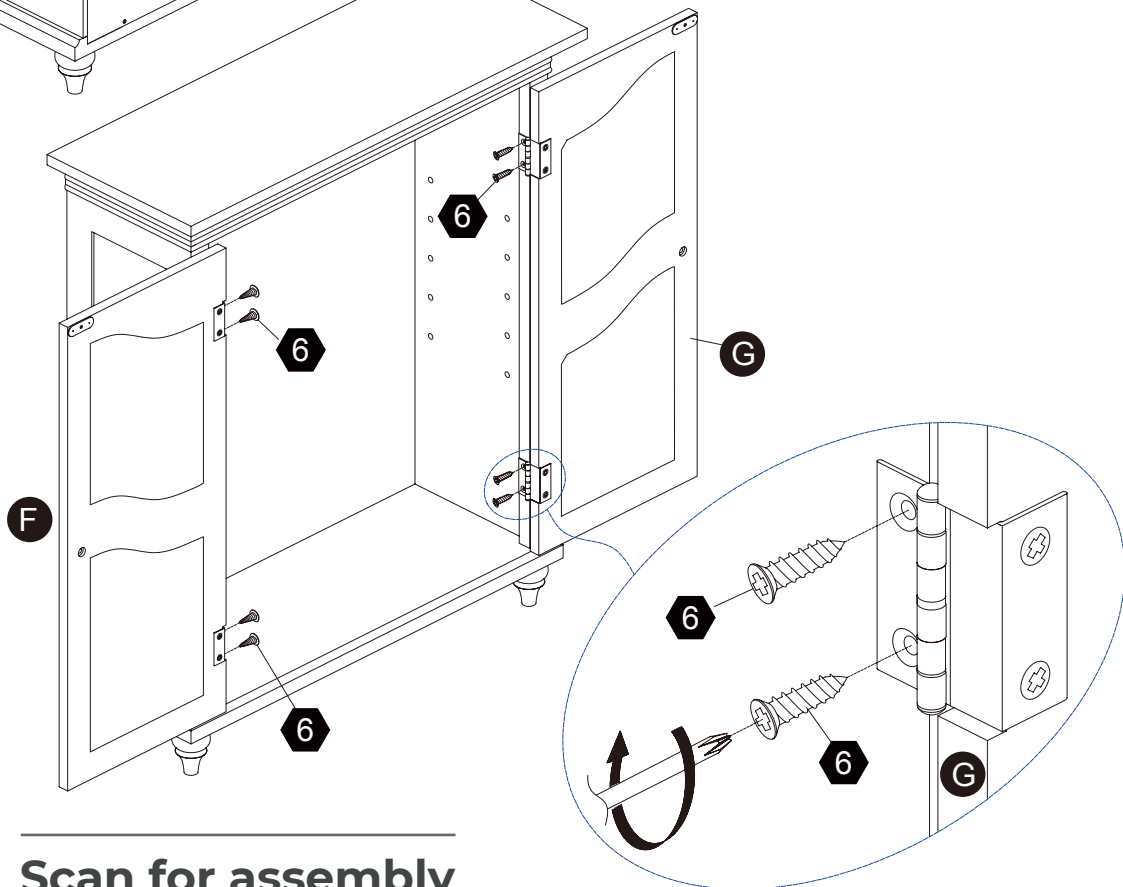
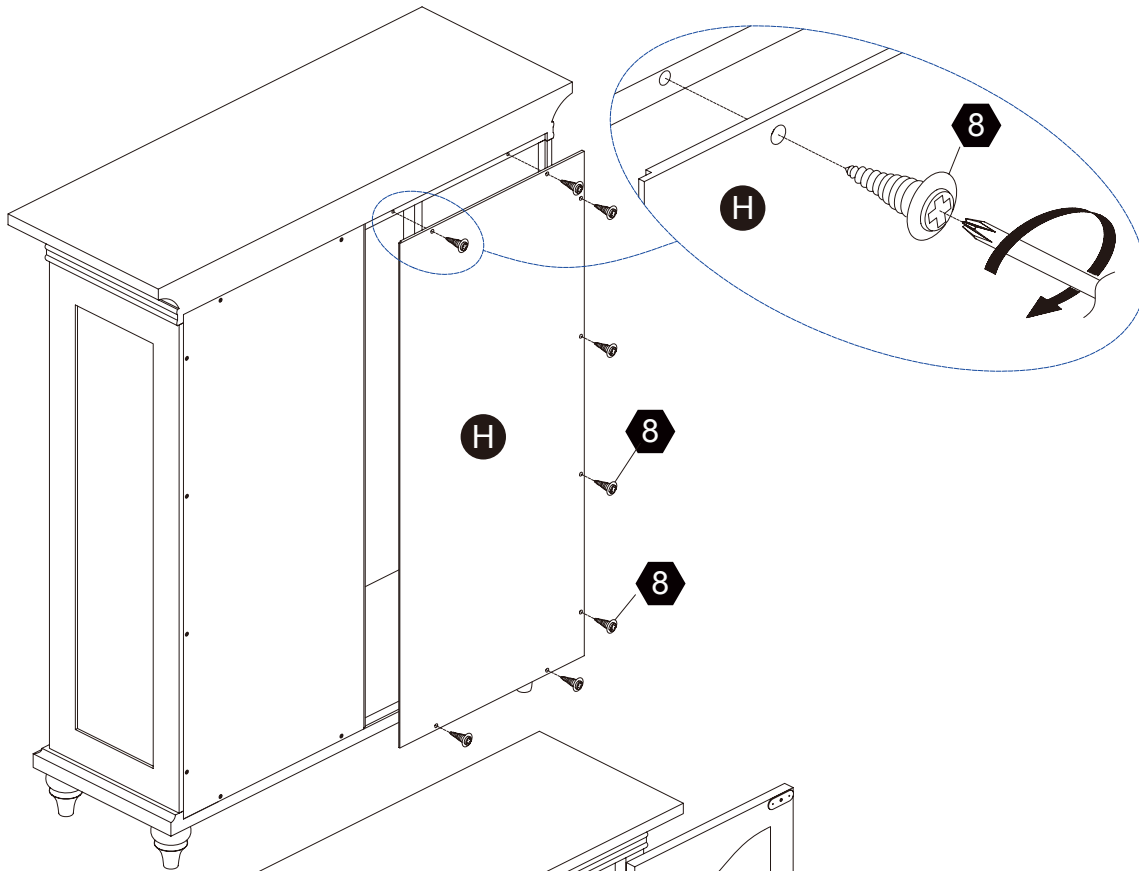
Step 4



8 pcs



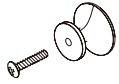
8 pcs



Scan for assembly instructions.

Step 5

7

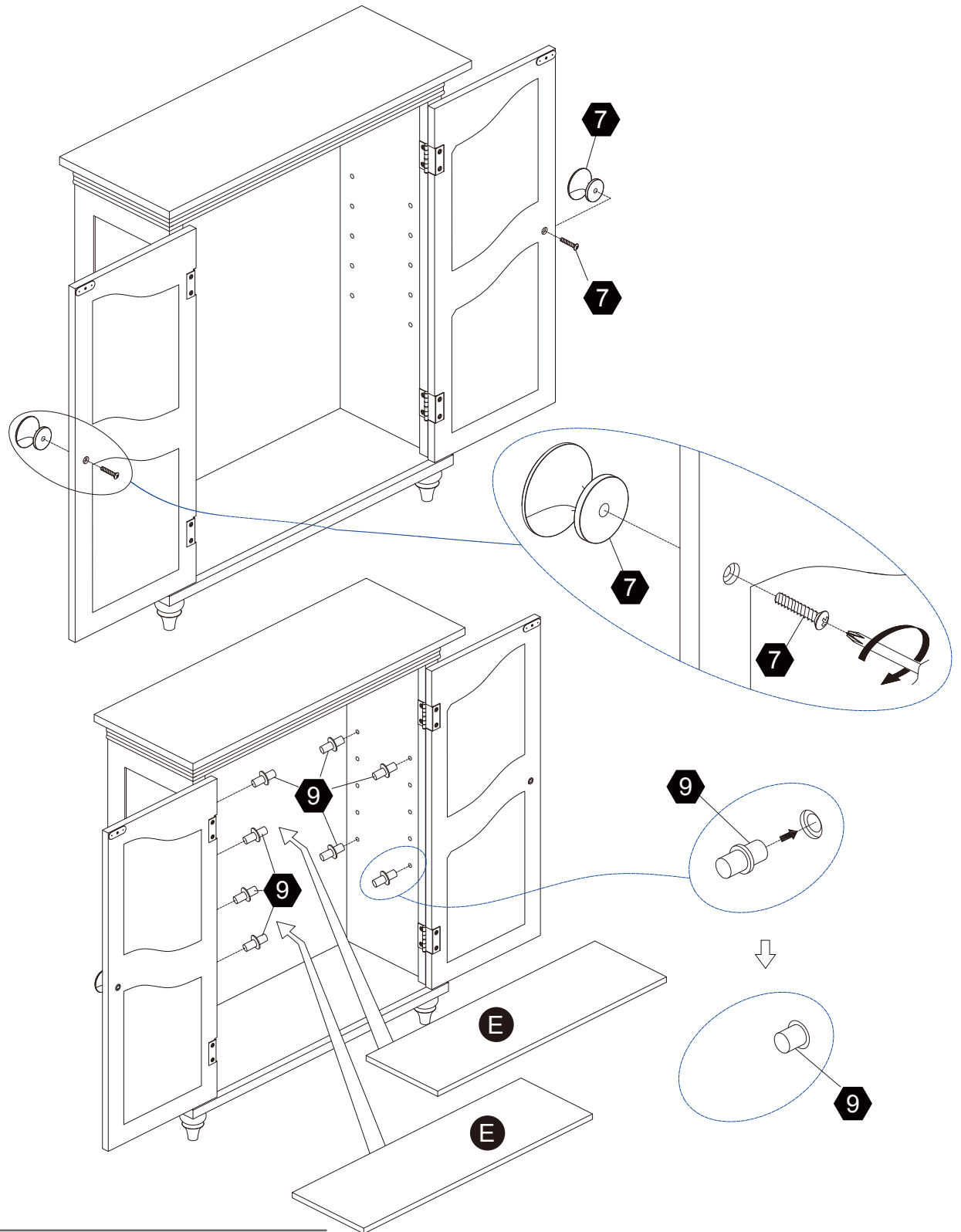


2 sets

9



8 pcs



Scan for assembly instructions.