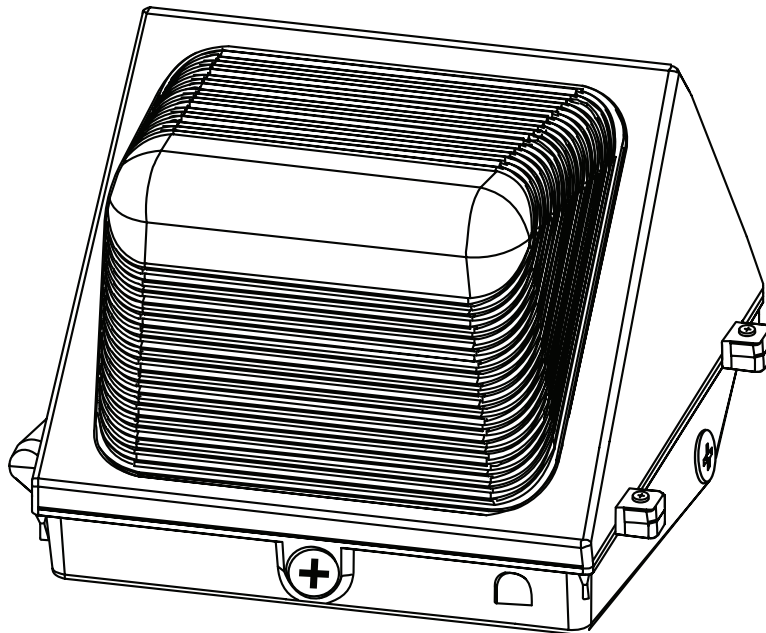


## USE AND CARE GUIDE

# OUTDOOR COMMERCIAL WALL LIGHT



**READ BEFORE INSTALLATION**  
SAVE THESE INSTRUCTIONS



Questions, problems, missing parts? Before returning to the store,  
call Feit Electric Customer Service  
8 a.m. - 5 p.m., PST, Monday - Friday

1-866-326-BULB (2852)  
FEIT.COM

### THANK YOU

*We appreciate the trust and confidence you have placed in Feit Electric through the purchase of this LED yard light fixture. We strive to continually create quality products designed to enhance your home. Visit us online to see our full line of products available for your home improvement needs. Thank you for choosing Feit Electric!*

# Table of Contents

Table of Contents ..... 2  
 Safety Information ..... 2  
 Care and Maintenance ..... 2  
 Warranty ..... 2  
 Pre-Installation ..... 3  
 Tools Required ..... 3  
 Hardware Included ..... 3  
 Installation ..... 4-6  
 Troubleshooting ..... 7

# Safety Information

## For your safety, always remember to:

- Turn off the power supply at the fuse or circuit breaker box before you install the fixture.
- Ground the fixture to avoid potential electric shock and to ensure reliable starting.
- Double-check all connections to be sure they are tight and correct.
- Wear rubber soled shoes and work on a sturdy wooden ladder.
- Account for small parts and destroy packing material, as these may be hazardous to children.

This fixture is designed for use in a circuit protected by a fuse or circuit breaker. It is also designed to be installed in accordance with local electrical codes. If you are unsure about your wiring, consult a qualified electrician or local electrical inspector, and check your local electrical code.

Account for small parts and destroy packing material, as these may be hazardous to children.

**NOTICE:** All electrical connections must be in accordance with local and National Electrical Code (N.E.C.) standards. If you are unfamiliar with proper electrical wiring connections obtain the services of a qualified electrician.

Remove the fixture and the mounting package from the box and make sure that no parts are missing by referencing the illustrations on the installation instructions.

**Supplier's Declaration of Conformity:**  
 47 CFR § 2.1077 Compliance Information  
**Responsible Party:**  
 Feit Electric Company  
 4901 Gregg Road,  
 Pico Rivera, CA 90660, USA  
 562-463-2852  
**Unique Identifier:**  
 S8.8CWPK/840/BZ

**FCC STATEMENT:** This device complies with part 15 of the FCC Rules. Operation is subject to the following two conditions: (1) This device may not cause harmful interference, and (2) this device must accept any interference received, including interference that may cause undesired operation. Note: This equipment has been tested and found to comply with the limits for a Class B digital device, pursuant to part 15 of the FCC Rules. These limits are designed to provide reasonable protection against harmful interference in a residential installation. This equipment generates, uses and can radiate radio frequency energy and, if not installed and used in accordance with the instructions, may cause harmful interference to radio communications. However, there is no guarantee that interference will not occur in a particular installation. If this equipment does cause harmful interference to radio or television reception, which can be determined by turning the equipment off and on, the user is encouraged to try to correct the interference by one or more of the following measures: Reorient or relocate the receiving antenna. Increase the separation between the equipment and receiver. Connect the equipment into an outlet on a circuit different from that to which the receiver is connected. Consult the dealer or an experienced radio/TV technician for help. Any changes or modifications not expressly approved by the manufacturer could void the user's authority to operate the equipment.

# Care and Maintenance

Periodically clean the fixture and diffuser using a mild, non-abrasive cleaner and soft cloth. When cleaning the fixture, make sure the power is turned off. Do not spray cleaner directly onto any part of the fixture or LEDs.

# Limited Warranty

This product is warrantied to be free from defects in workmanship and materials for up to 5 years from date of purchase. If the product fails within the warranty period, please contact Feit Electric at info@feit.com, visit feit.com/contact-us or call 1-866-326-BULB (2852) for instructions on replacement or refund. REPLACEMENT OR REFUND IS YOUR SOLE REMEDY. EXCEPT TO THE EXTENT PROHIBITED BY APPLICABLE LAW, ANY IMPLIED WARRANTIES ARE LIMITED IN DURATION TO THE DURATION OF THIS WARRANTY. LIABILITY FOR INCIDENTAL OR CONSEQUENTIAL DAMAGES IS HEREBY EXPRESSLY EXCLUDED. Some states and provinces do not allow the exclusion of incidental or consequential damages, so the above limitation or exclusion may not apply to you. This warranty gives you specific legal rights, and you may also have other rights which vary from state to state or province to province.

**DUSK TO DAWN OPERATION:**

The light will turn on at dusk and remain on through the night until dawn. The light will remain off throughout the day, until dusk.


**NOTICE:** To make sure this function works properly, always keep the wall switch in the "ON" position (including daytime).


**NOTICE:** A sensor cover (GG) is provided which can be used to block out light and bypass the sensor. This will keep the light continuous on and fixture can be controlled to turn on/off through the wall switch or a master photocell.


**Product Specifications:**

- 120/277 VAC, 50/60Hz, 37W max
- Not for use with dimmers
- Suitable for wet locations

 **WARNING: RISK OF SHOCK.** House electric current can cause painful shock or serious injury unless handled properly.

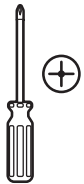
 **CAUTION:** Turn off the main power at the circuit breaker before installing the fixture, in order to prevent possible shock.

 **WARNING:** Changes or modifications to this unit not expressly approved by the party responsible for compliance could void the user's authority to operate the equipment.

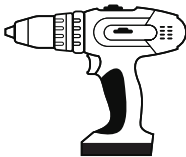
 **WARNING: RISK OF CUTS.** Some metal parts in the fixture may have sharp edges. To prevent cuts and scrapes, wear gloves when handling the parts.

# Pre-Installation

## TOOLS REQUIRED (NOT INCLUDED)




Phillips screwdriver



Drill



1/4 in. Drill bit

 **NOTE:** Hardware not shown to actual size.

## HARDWARE INCLUDED



AA



BB



CC



DD



EE



FF



GG

Part	Description	Quantity
AA	Wall Light	1
BB	Front Cover Screws	2
CC	Wall Mounting Screws	3
DD	J-Box Mounting Screws	2
EE	Plastic Anchors	3
FF	Wire Connectors	3
GG	Sensor Cover	1

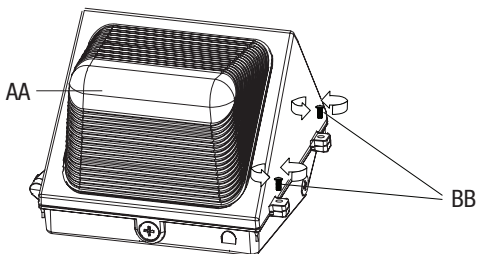
# Wall Mount Installation

## 1 Turning Off the Power

- Turn the power OFF at the wall switch, fusebox or the circuit breaker.

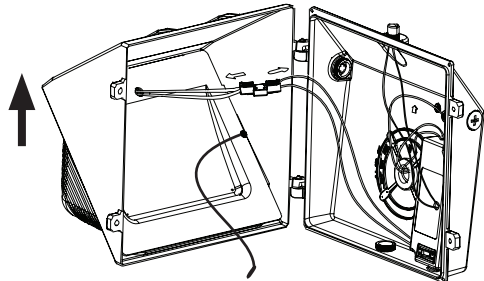
## 2 Open the Wall Light

- Open the Wall Light (AA) by unscrewing the Front Cover Screws (BB) using a phillips screwdriver (not provided).



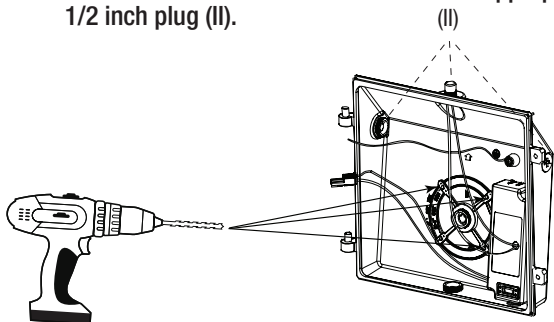
## 3 Remove the Front Cover

- Remove the Front Cover from the Back Plate by disconnecting the quick connect wires and sliding the Front Cover in an upward direction.



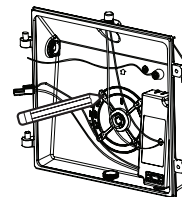
## 4 Prep the Back Plate

- Drill 4 holes from the outside surface on the Back Plate using a 1/4 in. drill bit as indicated. Select the desired conduit location and remove the appropriate 1/2 inch plug (II).

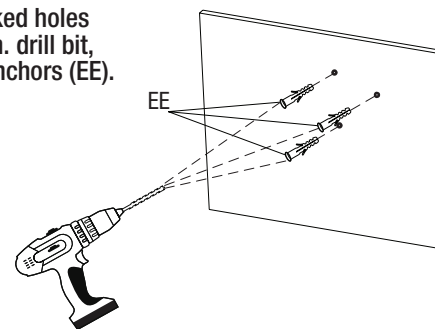


## 5 Affix Back Plate to Wall

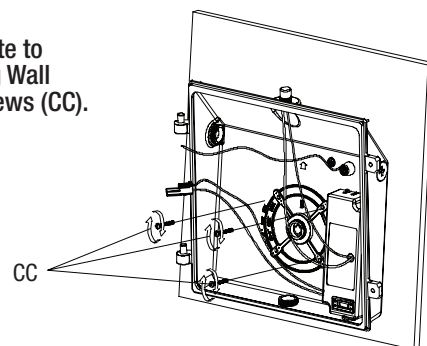
- Using the Back Plate as a guide, mark the position on the wall where the Anchors will be placed.



- Drill the marked holes using a 1/4 in. drill bit, then insert Anchors (EE).

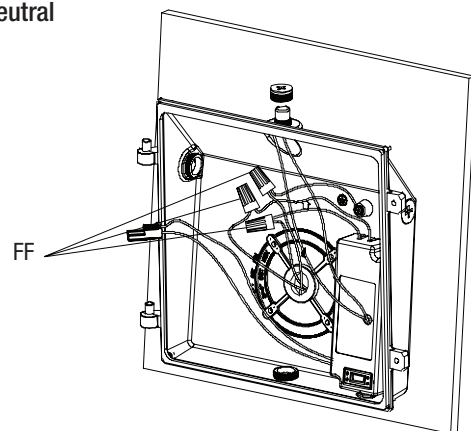


- Affix Back Plate to Anchors using Wall Mounting Screws (CC).



## 6 Connect the Power Supply Wires

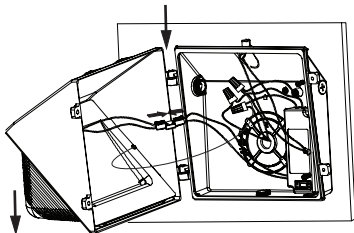
- Feed the power supply wires through the desired conduit inlet on the Back Plate. Using Wire Connectors (FF), connect wires coming from the LED driver on the back plate to the power supply wires:
- Black - Line Voltage
- White - Neutral



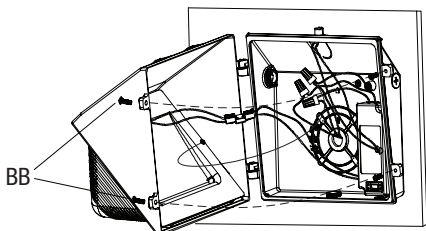
## Wall Mount Installation (continued)

### 7 Re-Attach the Front Cover

- Re-attach the Front Cover to the Back Plate and re-connect the quick release wires.
- Using a wire connector, connect the ground green-yellow or green wires from the back plate and front cover to the supply ground wire.



- Close the Front Cover and secure with the Front Cover Screws (BB).



### 8 Apply Sealant

- Once the fixture is tightly secured to the wall, apply silicone sealant around the base of the fixture to prevent moisture from reaching the connections.

### 9 Turn Power On

- Turn power back on at the wall switch, circuit breaker or fusebox.

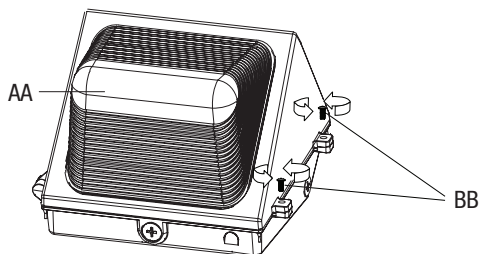
## Flush J-Box Installation

### 1 Turning Off the Power

- Turn the power OFF at the wall switch, fusebox or the circuit breaker.

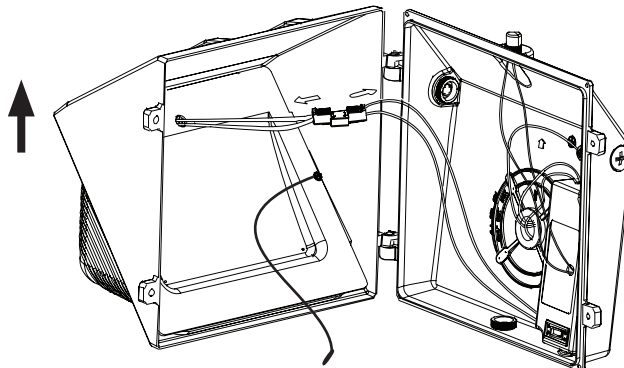
### 2 Open the Wall Light

- Open the Wall Light (AA) by unscrewing the Front Cover Screws (BB) using a phillips screwdriver (not provided).



### 3 Remove the Front Cover

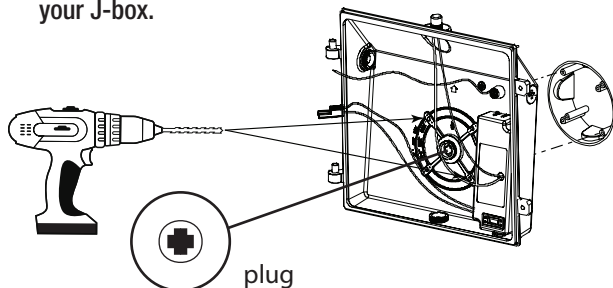
- Remove the Front Cover from the Back Plate by disconnecting the quick connect wires and sliding the Front Cover in an upward direction.



## Flush J-Box Installation (continued)

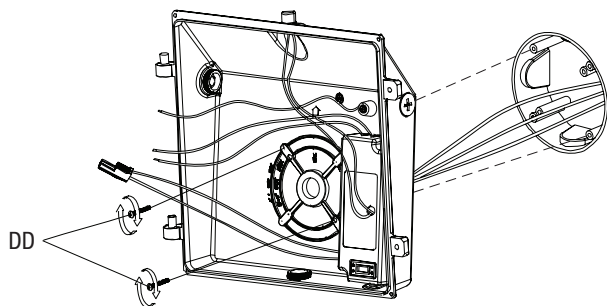
### 4 Prep the Back Plate

- Remove the knock out plug on the Back Plate by using a phillips screwdriver (not provided).
- Drill 2 holes using a 1/4 in. drill bit on the universal knockouts on the back plate needed to install on your J-box.

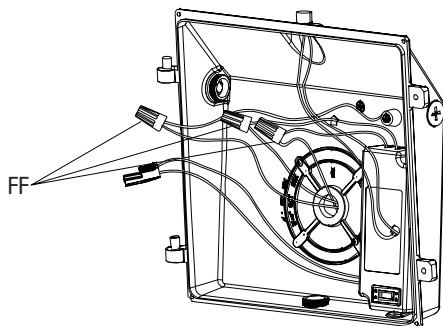


### 5 Connect the Power Supply Wires

- Feed the power supply wires through the knockout hole and mount the Back Plate to the J-Box using the J-Box Mounting Screws (DD).

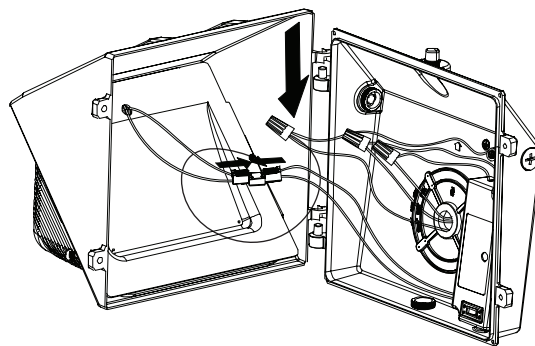


- Using Wire Connectors (FF), connect wires coming from the LED driver on the Back Plate to the power supply wires.
- Black - Line Voltage
- White - Neutral

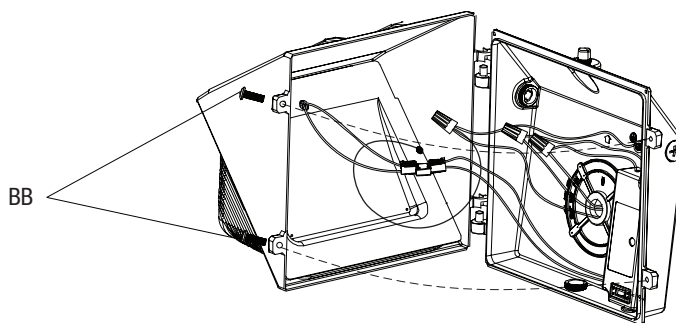


### 6 Re-Attach the Front Cover

- Re-attach the Front Cover to the Back Plate and re-connect the quick release wires.
- Using a wire connector, connect the ground green-yellow or green wires from the back plate and front cover to the supply ground wire.



- Close the Front Cover and secure with the Front Cover Screws (BB).



### 7 Apply Sealant

- Once the fixture is tightly secured to the wall, apply silicone sealant around the base of the fixture to prevent moisture from reaching the connections.

### 8 Turn Power On

- Turn power back on at the wall switch, circuit breaker or fusebox.

## Troubleshooting

<b>Problem</b>	<b>Possible Cause</b>	<b>Solution</b>
The light will not illuminate.	The power is off.	Make sure the power supply is on.
	There is a faulty wire connection.	Check the wiring. Contact a qualified and licensed electrician if you are not comfortable troubleshooting wiring problems.
	There is a faulty wire switch.	Test or replace the switch.
The light does not automatically turn off during daylight hours.	The photocell is covered.	<ol style="list-style-type: none"><li>1. Remove any debris and clean the photosensor</li><li>2. Remove sensor cover</li></ol>
Security light cycles ON and OFF continuously	Dusk-to-Dawn sensor is sensing reflected light from the security light or other surrounding light source.	<ol style="list-style-type: none"><li>1. Ensure no reflective materials are near to the wall pack.</li><li>2. Relocate the LED Wall Pack to a different location where it no longer causes reflected light.</li></ol>