



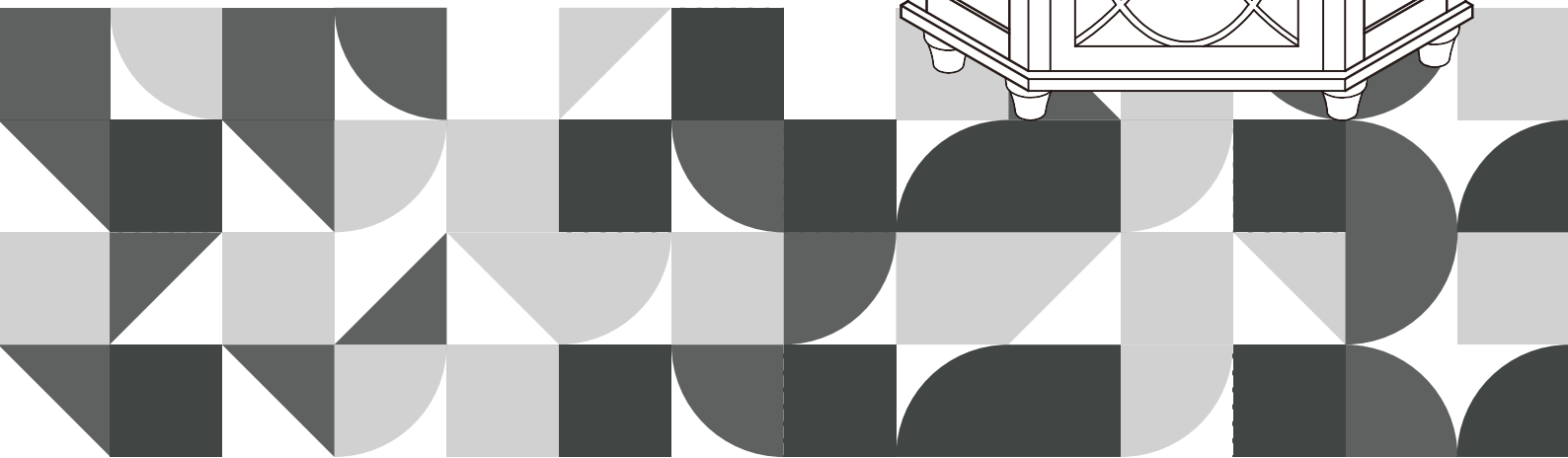
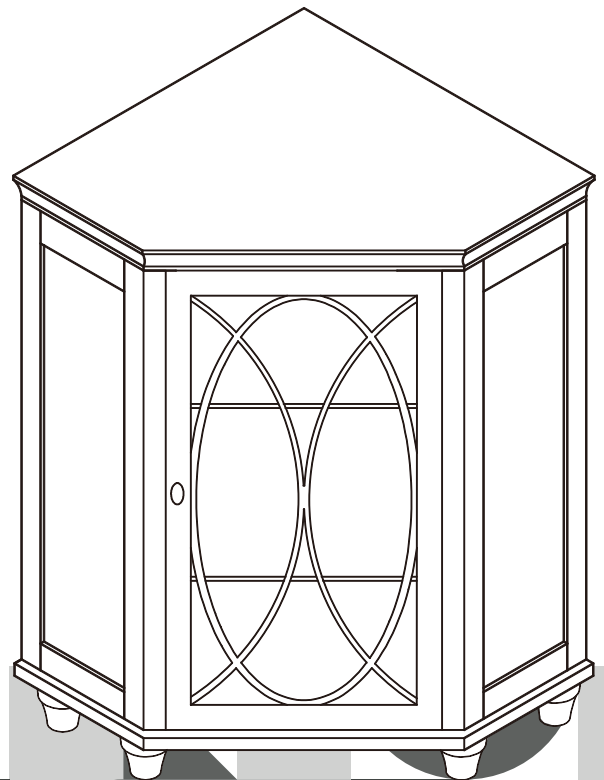
Extended Warranty
Sign Up

E-1

Welcome home!

ELG-639

**TEAMSON HOME
32"H Florence Corner Floor
Cabinet with 2 Adjustable
Tempered Glass Shelves**





**Questions? Comments? Need help?
Call or email us any time!**

Global Customer Service

USA

+1(800)935-3959

Mon - Fri 10:00am ~ 2:00pm EST

✉ support@teamson.com

EU/UK

+44(0)1952-916-050

Mon - Thu 9:00am ~ 5:00pm GMT

Friday 9:00am ~ 4:00pm GMT

✉ support@teamson.co.uk

ASIA

深圳办公室:

+86(0755)8885-3558.分机号331

Mon - Sat 9:00am ~ 5:00pm GMT+8

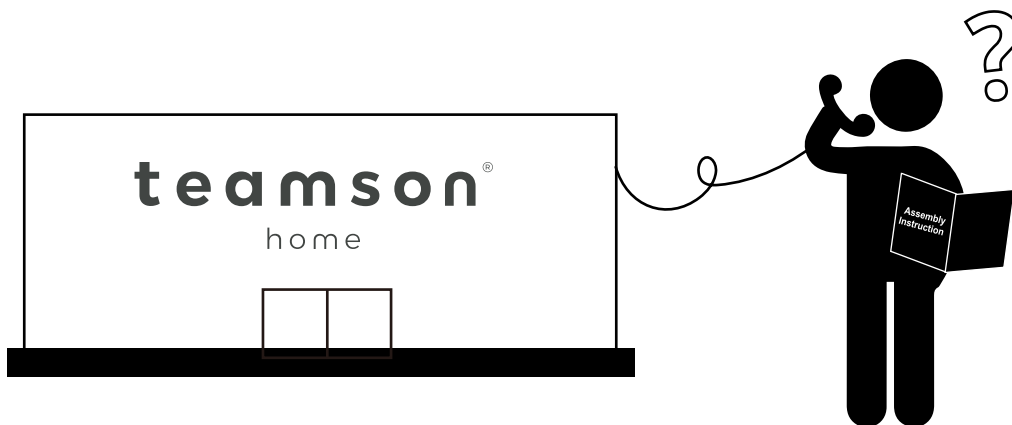
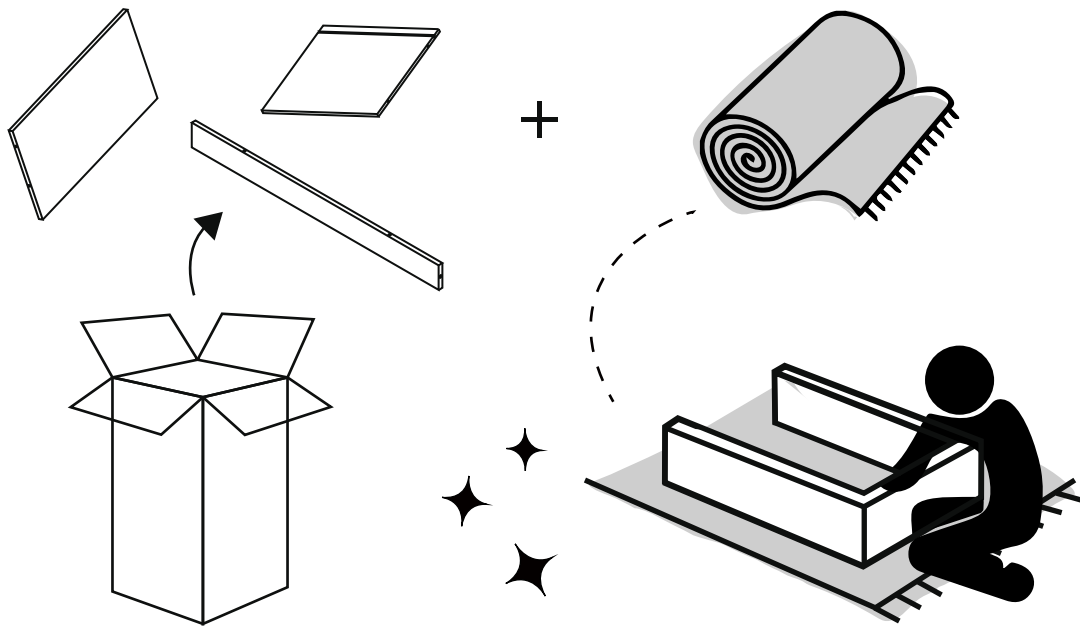
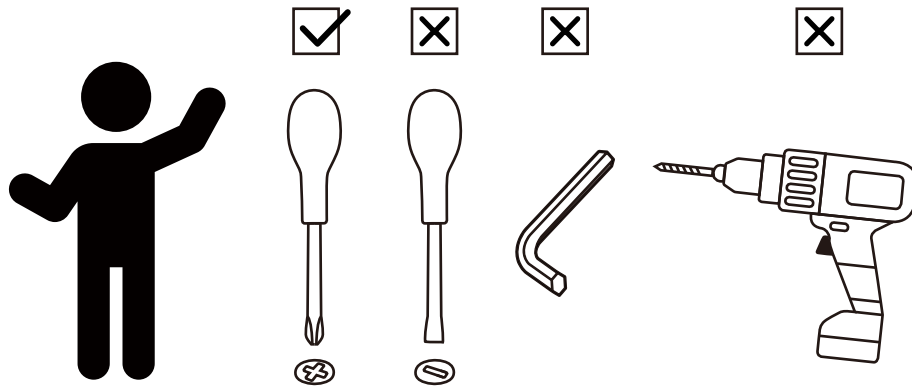
✉ sales_ec@teamson.com

台北办公室:

+886(2)2556-6268

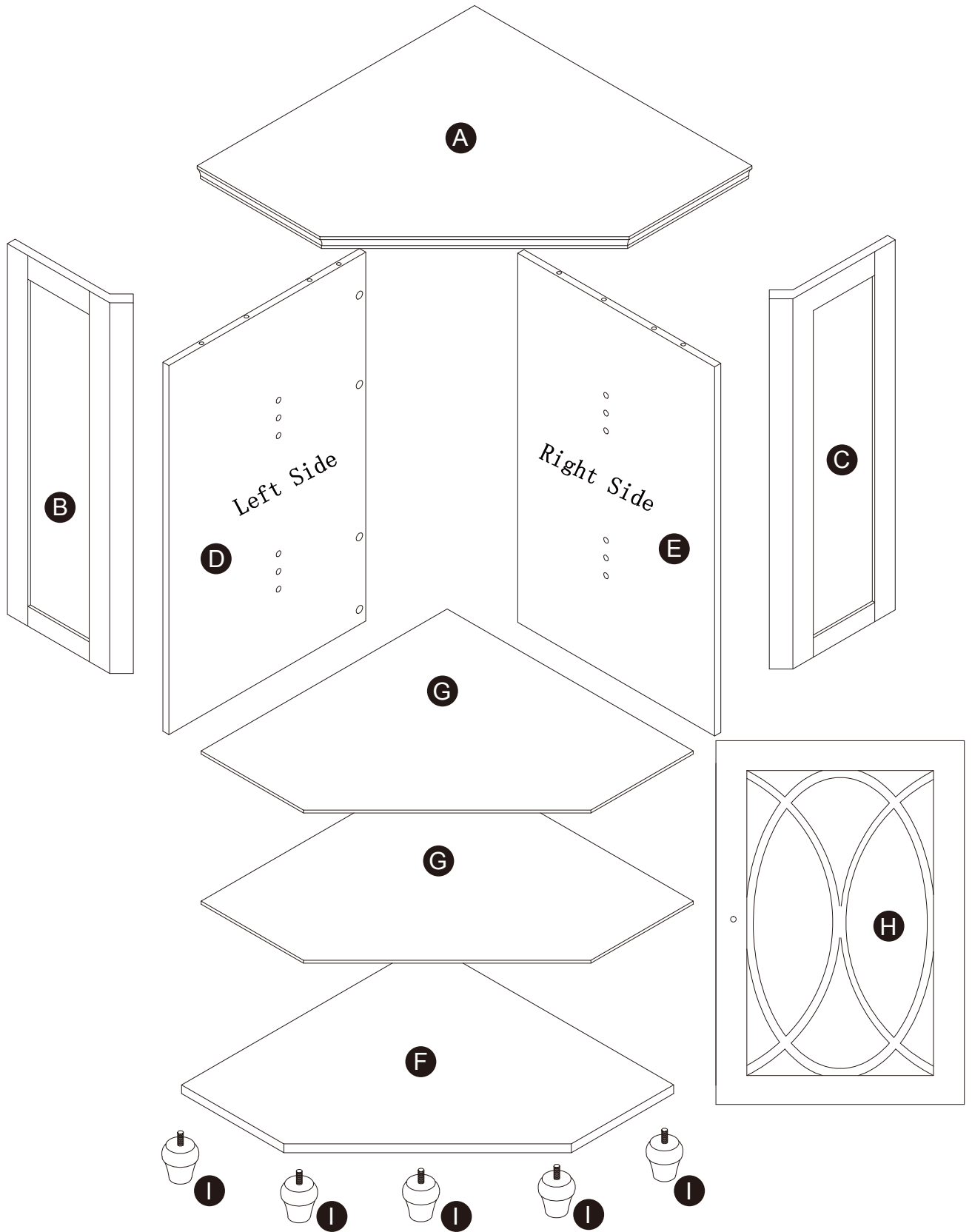
Mon - Fri 9:00am ~ 5:00pm GMT+8

✉ sales_ec@teamson.com



** Got questions? Please have your product code (on the first page of this instruction, e.g. TD-12345A) and the order number ready, give us a call or email us through our customer care support! We are always ready to assist you!

Exploded Drawing



Scan for assembly instructions.

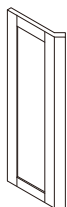
Product Parts

A



1 PC

B



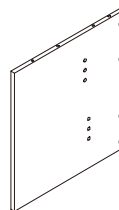
1 PC

C



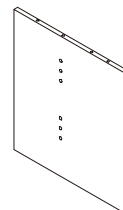
1 PC

D



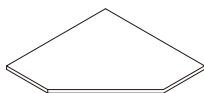
1 PC

E



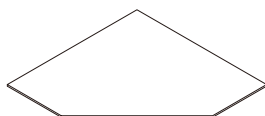
1 PC

F



1 PC

G



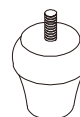
2 PCS

H



1 PC

I



5 PCS

! Care Instructions

Dust surface with a dry soft cloth. Do not use window cleaners or cleaning abrasives as they will scratch the surface and could damage the protective coating

! WARNING

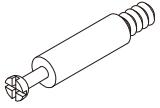
Small parts and sharp edges may be present prior to assembly.



Scan for assembly instructions.

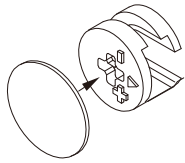
Hardware

1



22 PCS

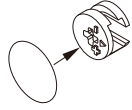
2



Ø15*12

14 PCS

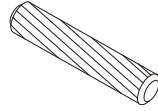
3



Ø15*9

8 PCS

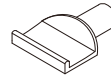
4



Ø8*30mm

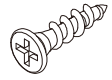
18 PCS

5



8 PCS

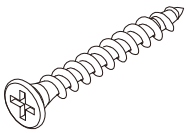
6



Ø3*12mm

4 PCS

7



Ø4*25mm

2 PCS

8



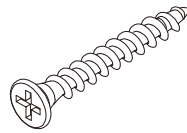
1 PC

9



1 PC

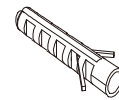
10



Ø4*25mm

4 PCS

11



2 PCS

12



2 PCS

13

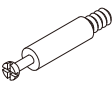



4 PCS



Scan for assembly instructions.

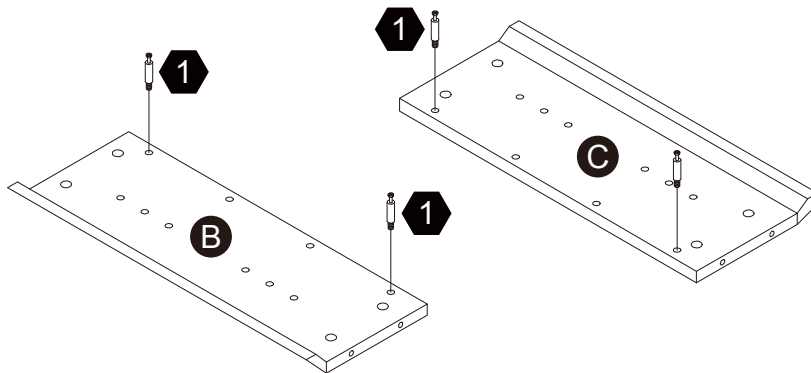
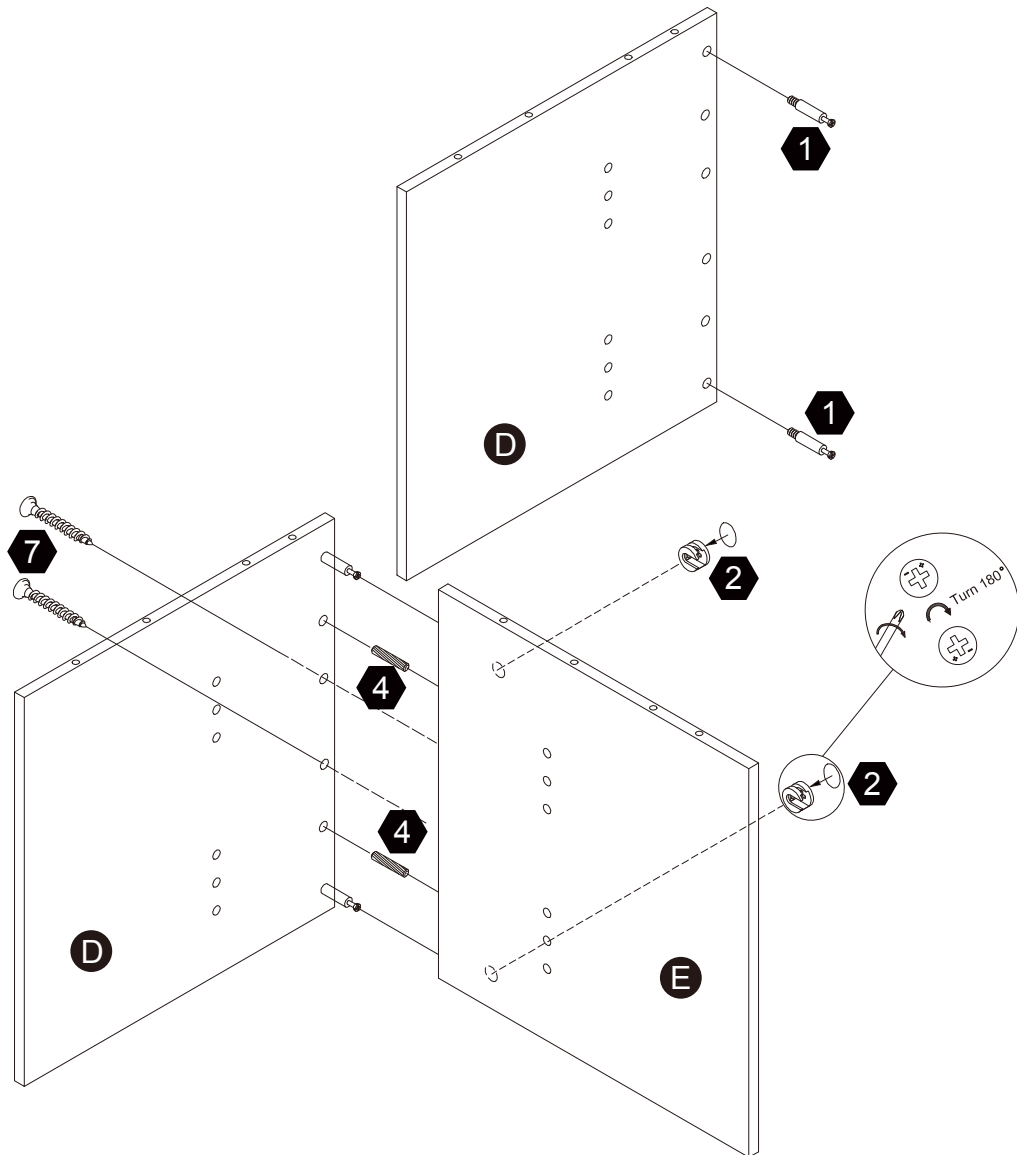
Step 1

1  6 pcs

2  2 pcs
Ø15*12

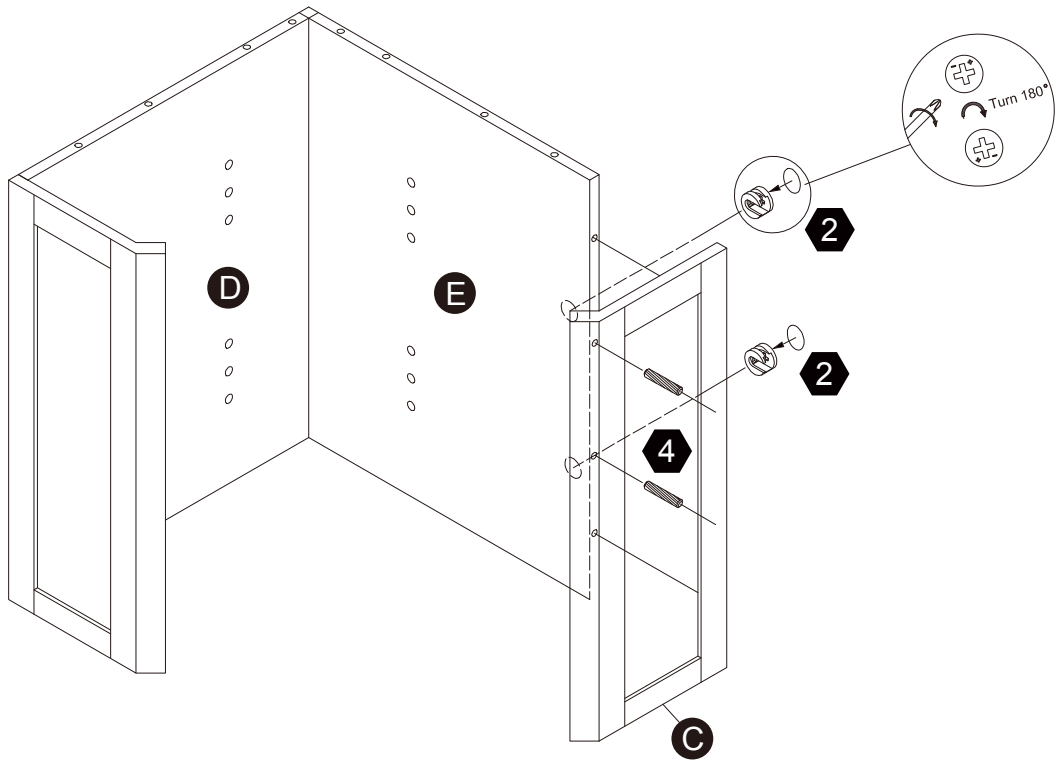
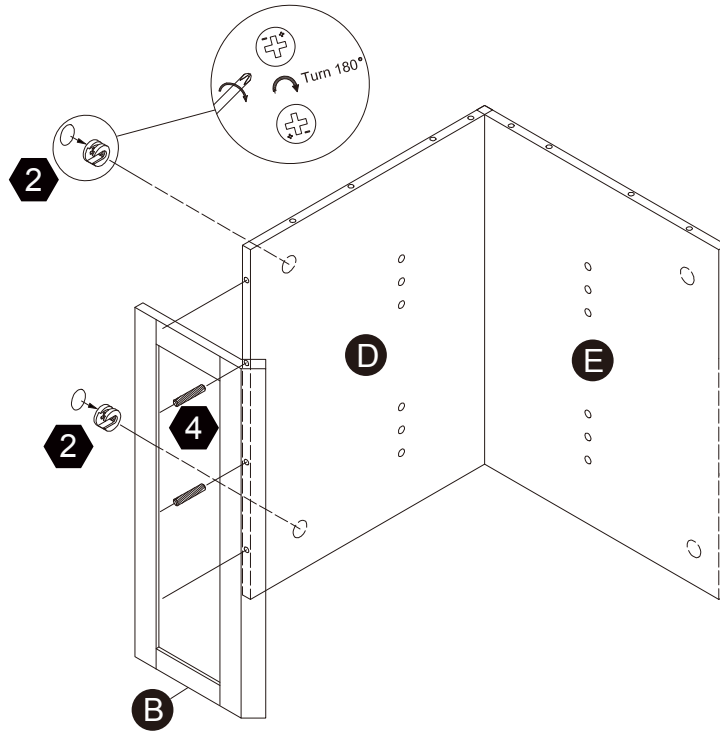
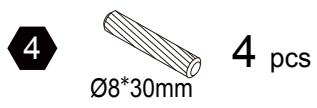
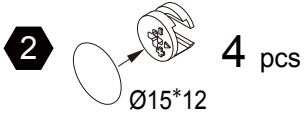
4  2 pcs
Ø8*30mm

7  2 pcs
Ø4*25mm



Scan for assembly instructions.

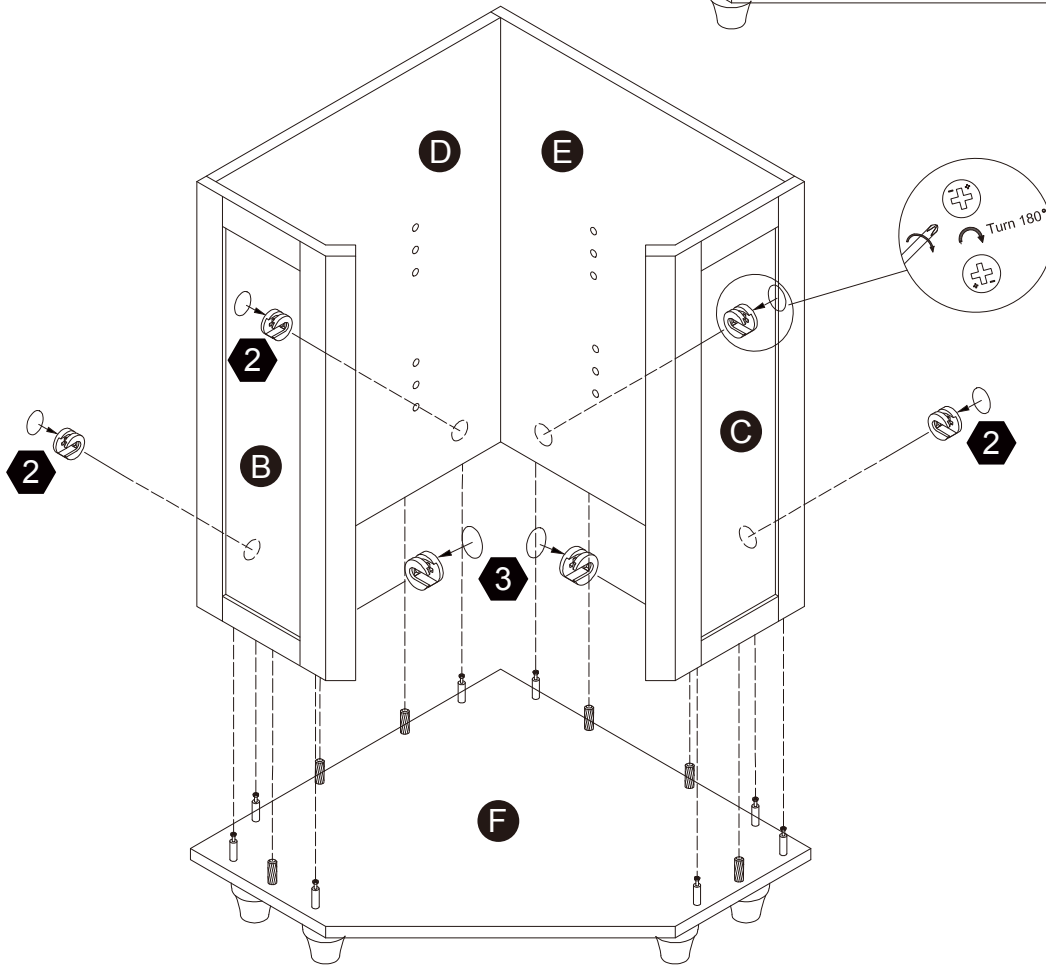
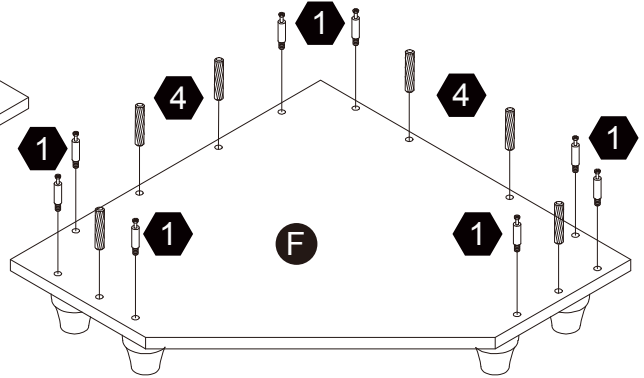
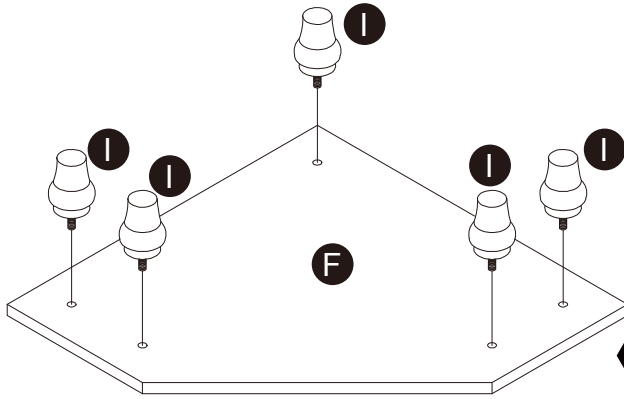
Step 2



Scan for assembly instructions.

Step 3

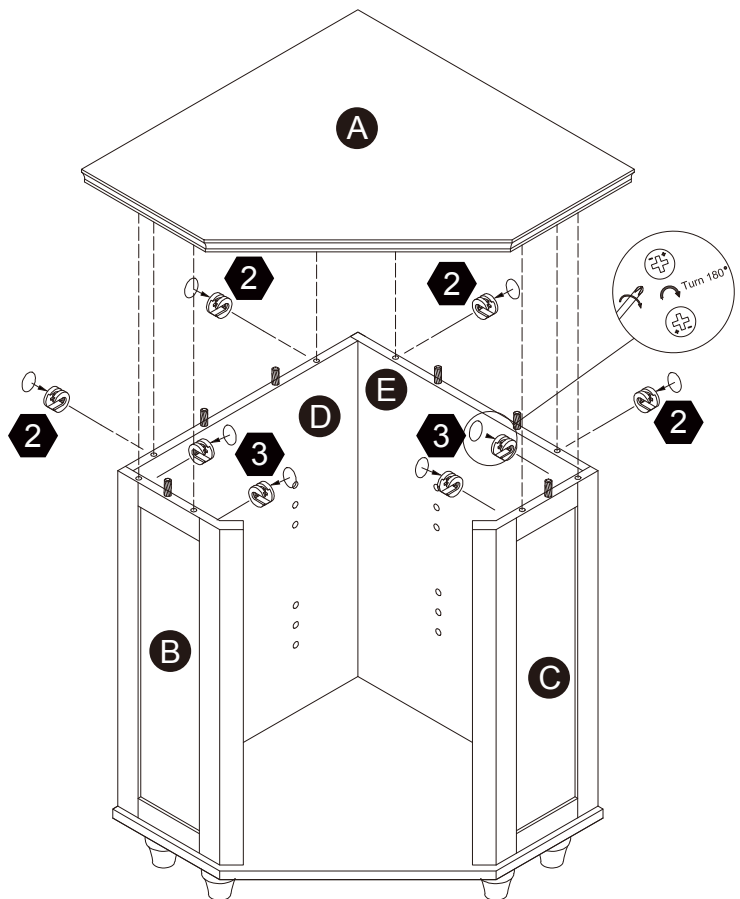
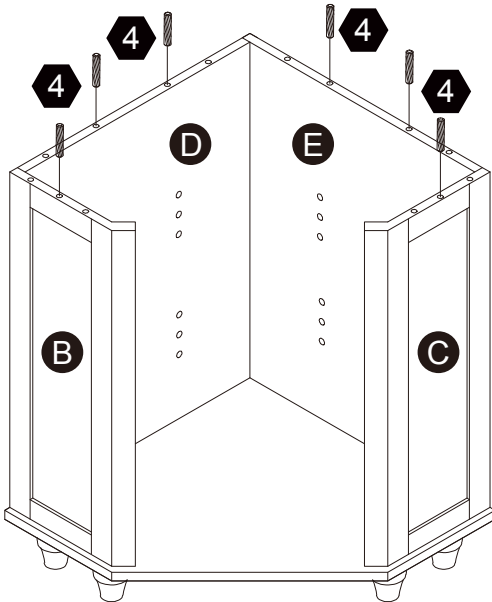
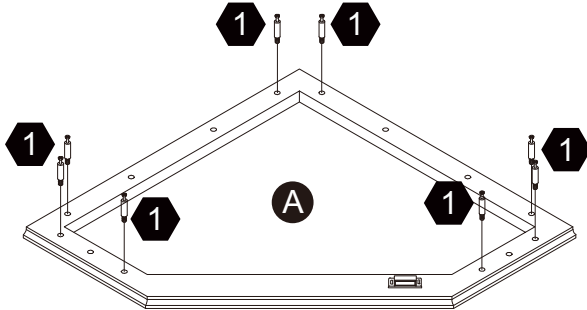
- 1  8 pcs
- 2  Ø15*12 4 pcs
- 3  Ø15*9 4 pcs
- 4  Ø8*30mm 6 pcs



Scan for assembly instructions.

Step 4

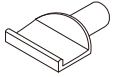
- 1**  **8 pcs** **2**  $\text{Ø}15*12$ **4 pcs** **3**  $\text{Ø}15*9$ **4 pcs** **4**  $\text{Ø}8*30\text{mm}$ **6 pcs**



Scan for assembly instructions.

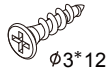
Step 5

5



8 pcs

6



4 pcs

8

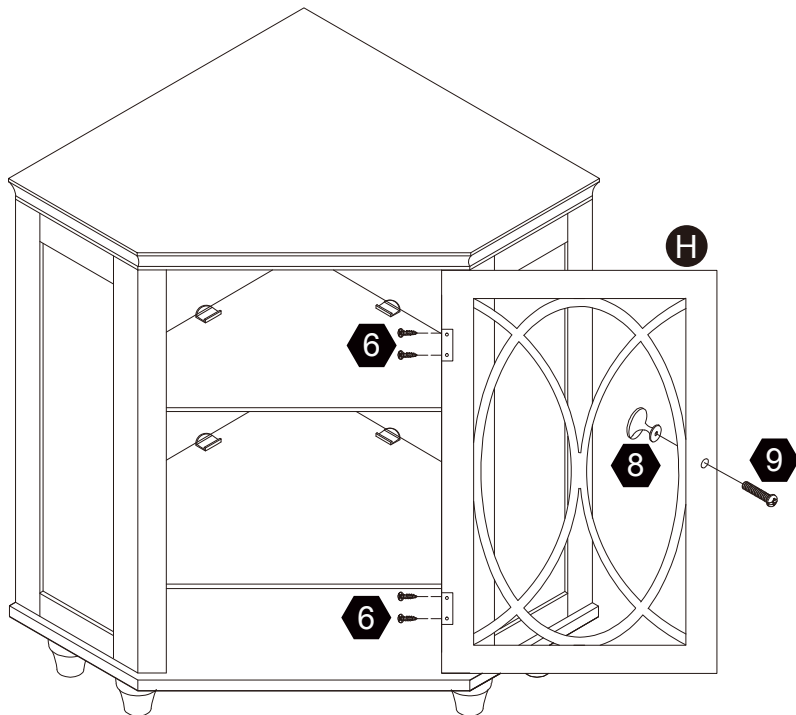
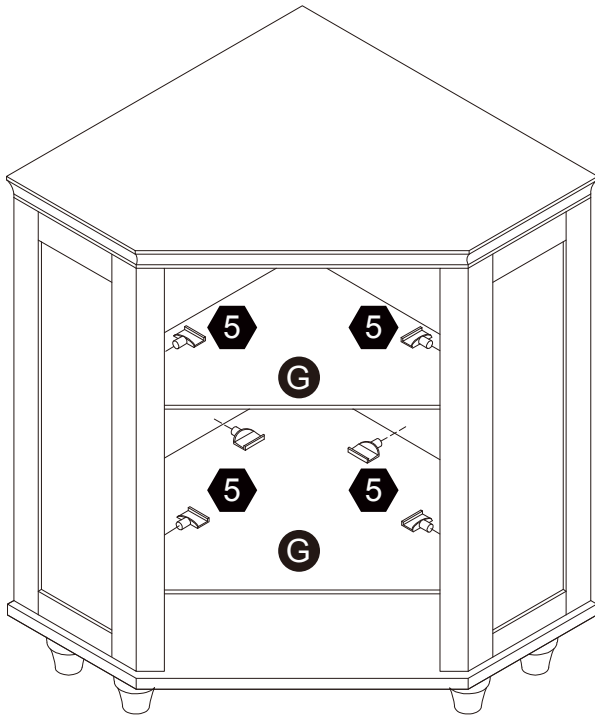


1 pc

9



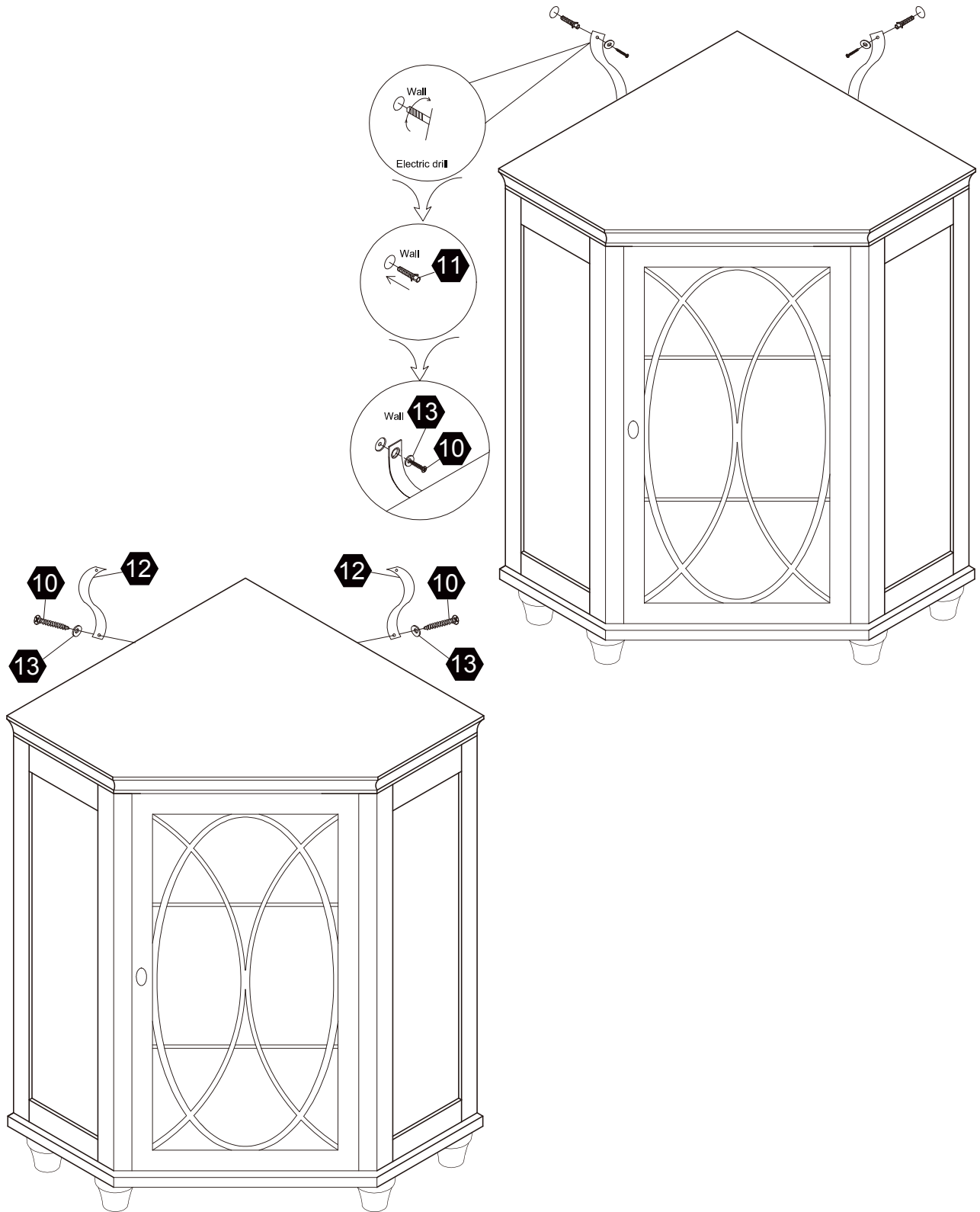
1 pc



Scan for assembly instructions.

Step 6

- 10**  4 pcs $\phi 4 \times 25$ **11**  2 pcs **12**  2 pcs **13**  4 pcs



Scan for assembly instructions.